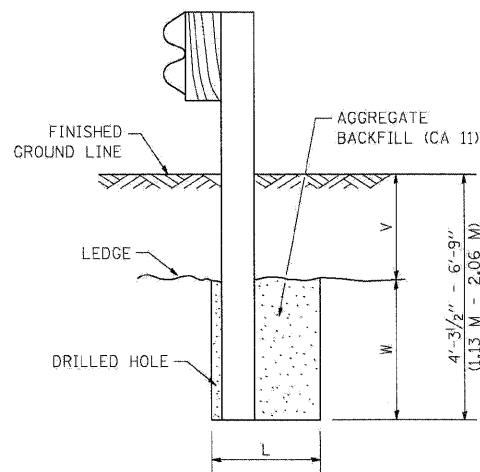


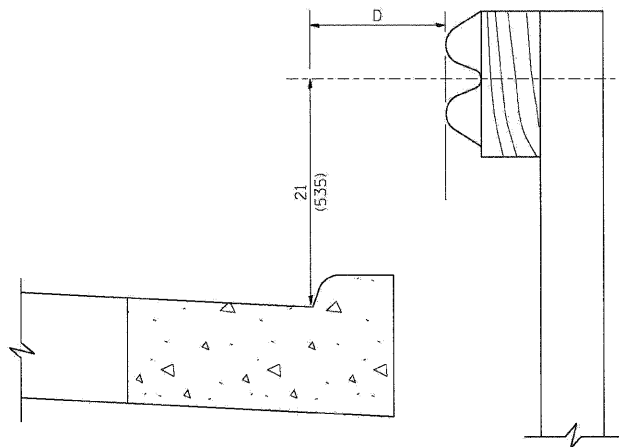
PLAN



NOTE:
LEDGE LINE IS TOP OF ROCK LEDGE OR HARD SLAG FILL.

ELEVATION

FOOTING FOR POST WHEN IMPERVIOUS MATERIAL IS ENCOUNTERED

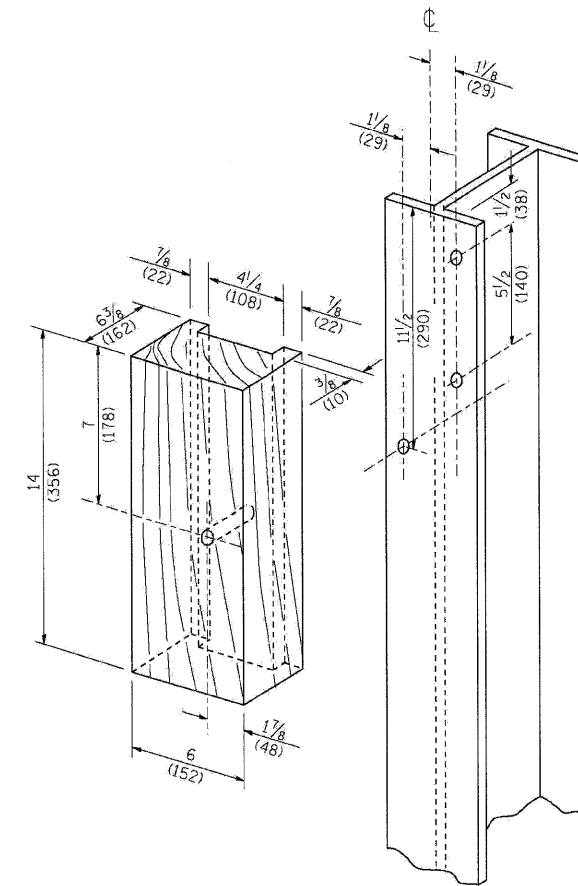


NOTE:

IF IT IS NECESSARY FOR D TO BE MORE THAN 12 (300) AND LESS THAN 10'-0" (3.0 M) TYPE M-2 (M-5) CURB AND GUTTER (STD. 60600) SHALL BE USED IN FRONT OF AND IN ADVANCE OF THE GUARDRAIL.

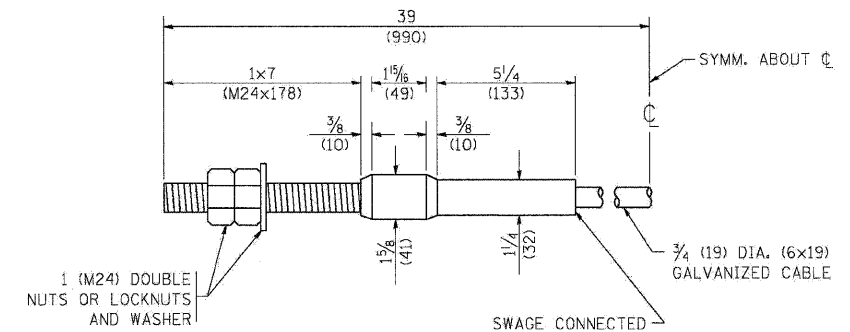
GUARDRAIL PLACED BEHIND CURB

(D = 0 DESIRABLE TO 12 (300) MAXIMUM)



WOOD BLOCK-OUT AND STEEL POST DETAILS

V	W	L	
		STEEL POST	WOOD POST
0 - 18 (0 - 460)	24 (610)	21 (530)	23 (580)
>18 - 41.5 (> 460 - 825)	12 (305)	8 (203)	10 (250)
>41.5 - 53.5 (> 825 - 1.13 M)	12 - 0 (350 - 0)	8 (203)	10 (250)



CABLE ASSEMBLY

(40,000 LBS (18,100 KG) MIN. BREAKING STRENGTH)
TIGHTEN TO TAUT TENSION

FILE NAME =	DESIGNED - AJP	REVISED -
...NepIn_ABC_C3.D1.BM-210.dgn	DRAWN - TMB	REVISED -
USER NAME = blank	CHECKED - JMM	REVISED -
PLOT DATE = 11/12/2009	DATE - 10/16/09	REVISED -

benesch

STATE OF ILLINOIS
DEPARTMENT OF TRANSPORTATION

REMOVE AND REERECT GUARDRAIL

SCALE: N.T.S. SHEET NO. 8 OF 15 SHEETS STA. TO STA.

F.A.I. RTE.	SECTION	COUNTY	TOTAL SHEETS	SHEET NO.
290 (28285,0, ETC., 3031.1RS-6)		COOK	185	178
FED. ROAD DIST. NO. ILLINOIS FED. AID PROJECT			CONTRACT NO. 60653	