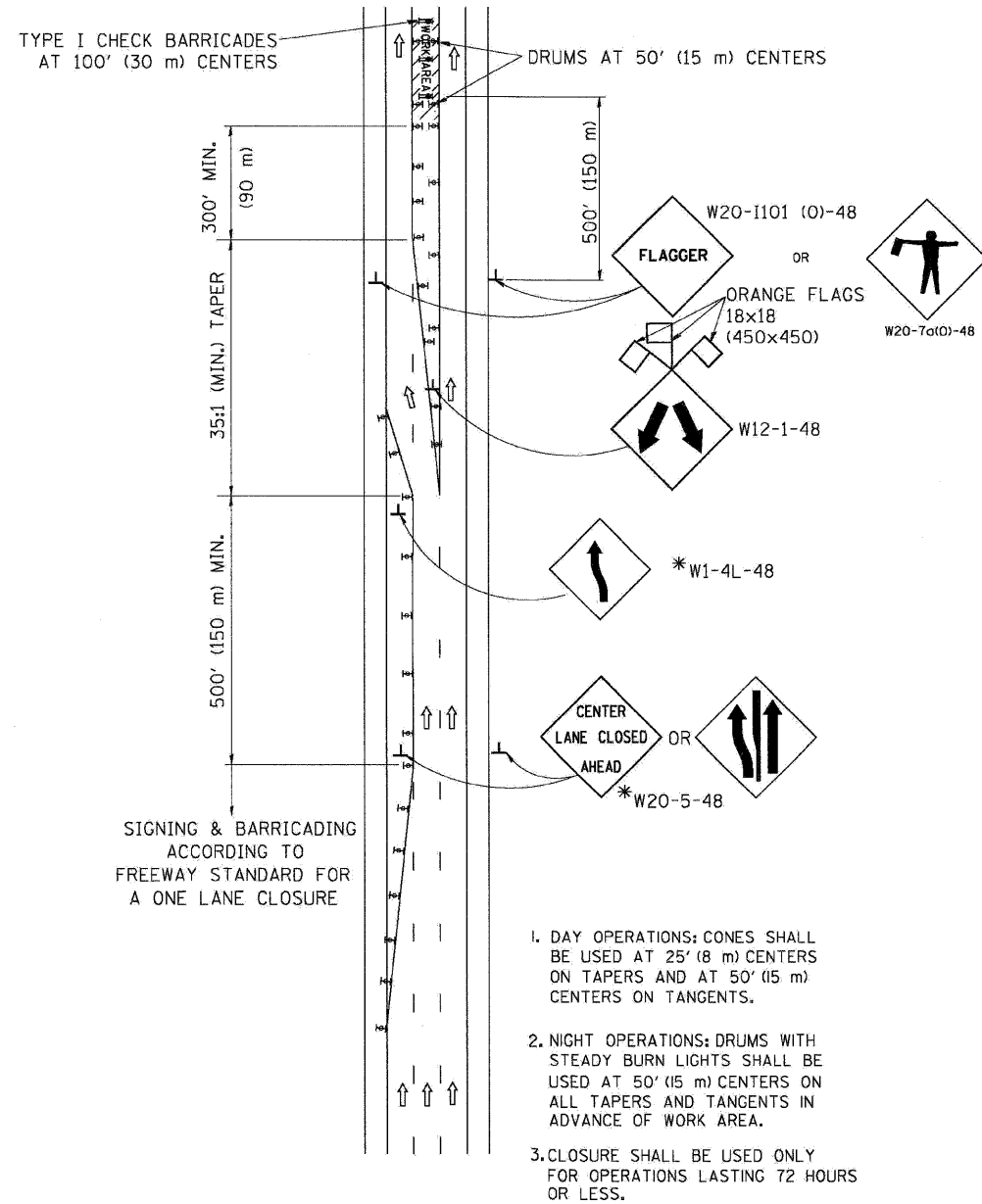
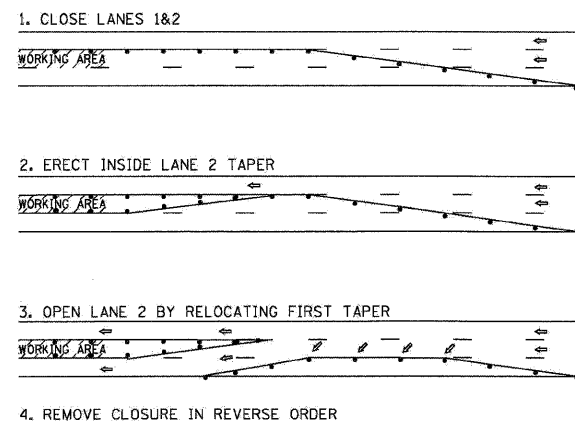


# CENTER LANE CLOSURE

TYPE I CHECK BARRICADES AT 100' (30 m) CENTERS

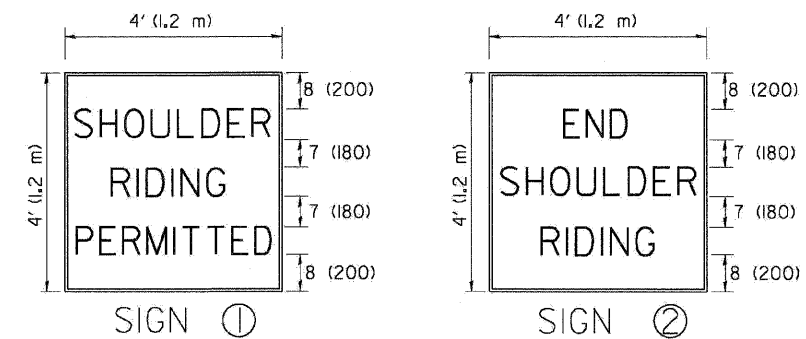
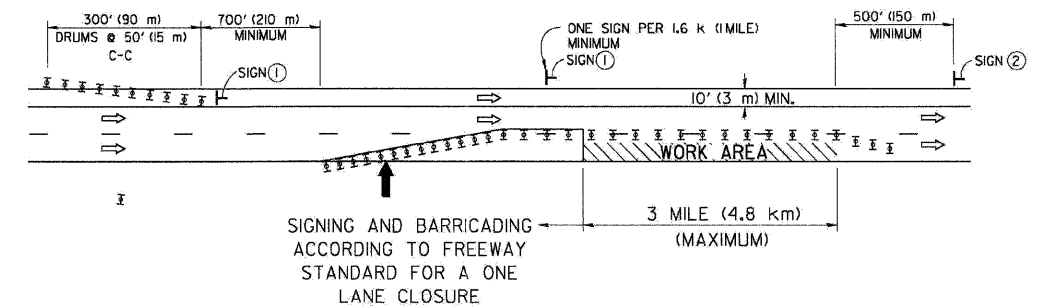
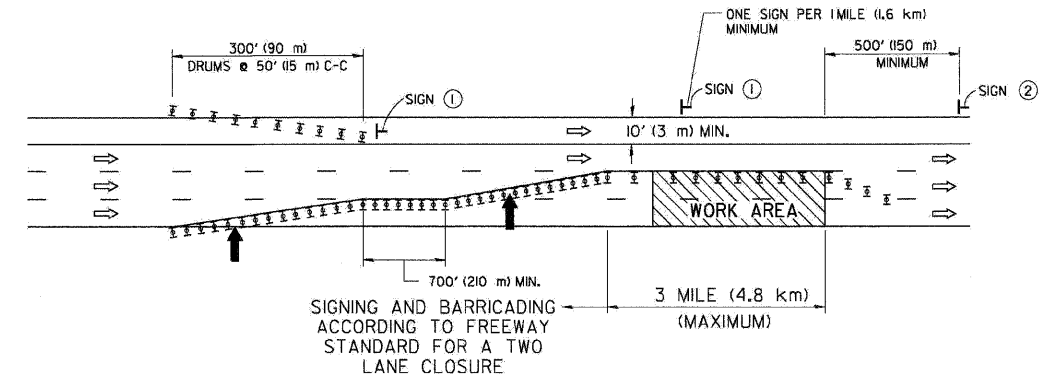


### INSTALLATION SEQUENCE



# SHOULDER LANE

NOTE: CLOSURE SHALL BE USED ONLY FOR OPERATIONS LASTING 72 HOURS OR LESS.



6 (150) SERIES 'C' LEGEND  
BLACK LEGEND  
WHITE REFLECT. BACKGROUND  
1 (25) BORDER

### SYMBOLS

- ↑ DIRECTION OF TRAFFIC
- ➔ ARROWBOARD
- ▨ WORK AREA
- ◇ SIGN WITH 18x18 (450x450) ORANGE FLAGS ATTACHED \*
- ┌ SIGN ON PORTABLE OR PERMANENT SUPPORT \*
- ⊥ TYPE II BARRICADE, DRUM OR VERTICAL BARRICADE WITH MONO-DIRECTIONAL STEADY BURN LIGHT

TC-25

ALL DIMENSIONS ARE IN INCHES (MILLIMETERS) UNLESS OTHERWISE SHOWN

\* ALL SIGNS SHALL BE MOUNTED AT A MINIMUM HEIGHT OF 5' (1.5 m).

FILE NAME =	DESIGNED - AJP	REVISED -
...prpln_ABC.C3.D1.10.25.dgn	DRAWN - TMB	REVISED -
USER NAME = sblank	CHECKED - JMM	REVISED -
PLOT DATE = 11/12/2009	DATE - 10/16/09	REVISED -

**benesch**

STATE OF ILLINOIS  
DEPARTMENT OF TRANSPORTATION

TRAFFIC CONTROL DETAILS FOR FREEWAY  
CENTER LANE CLOSURE SHOULDER LANE

SCALE: N.T.S. SHEET NO. 15 OF 15 SHEETS STA. TO STA.

F.A.I. RTE.	SECTION	COUNTY	TOTAL SHEETS	SHEET NO.
290 (2828B.D. ETC., 3031.1)RS-6		COOK	185	185
FED. ROAD DIST. NO. [ILLINOIS] FED. AID PROJECT			CONTRACT NO. 60G53	