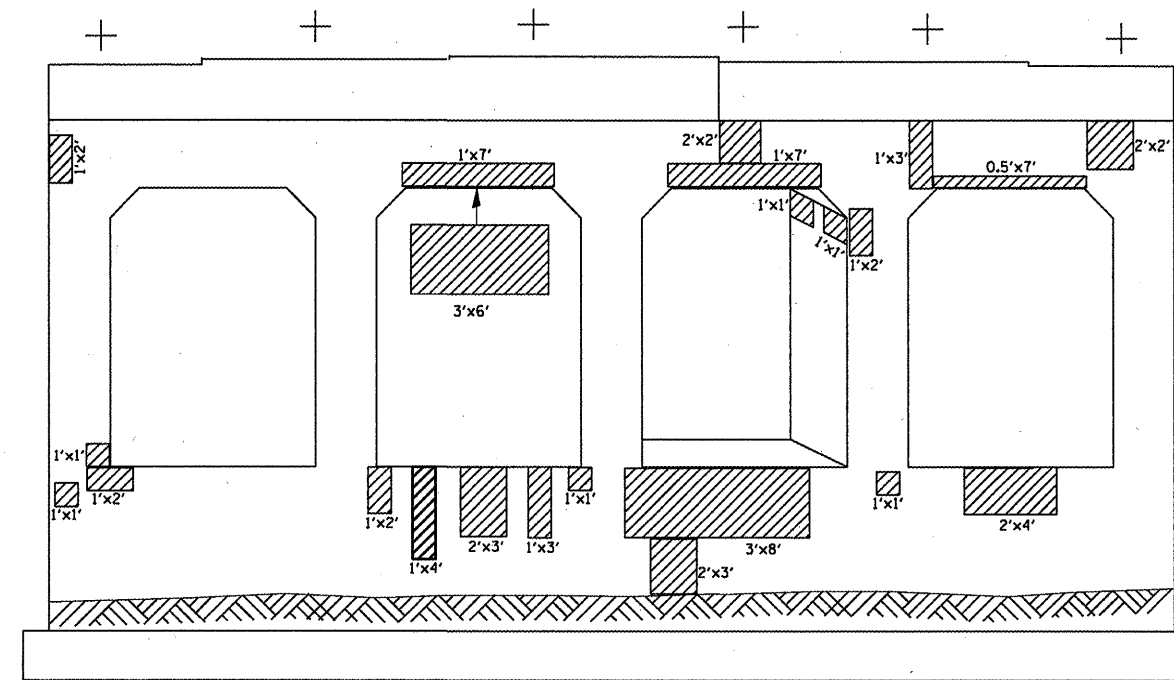
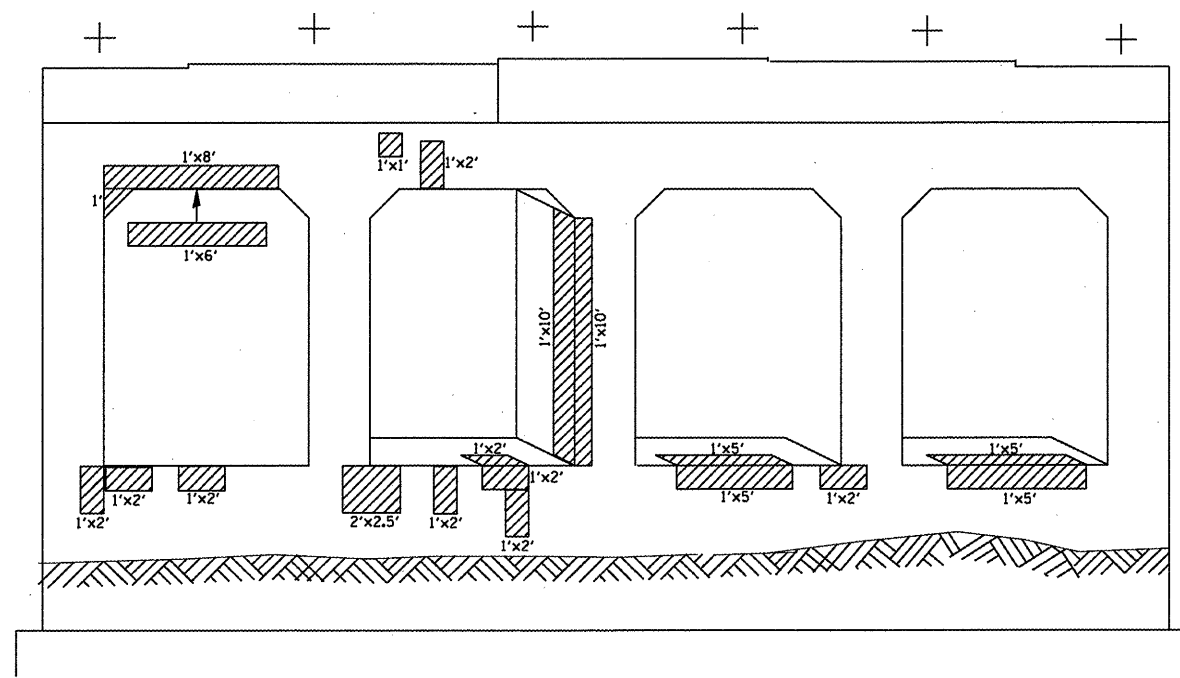


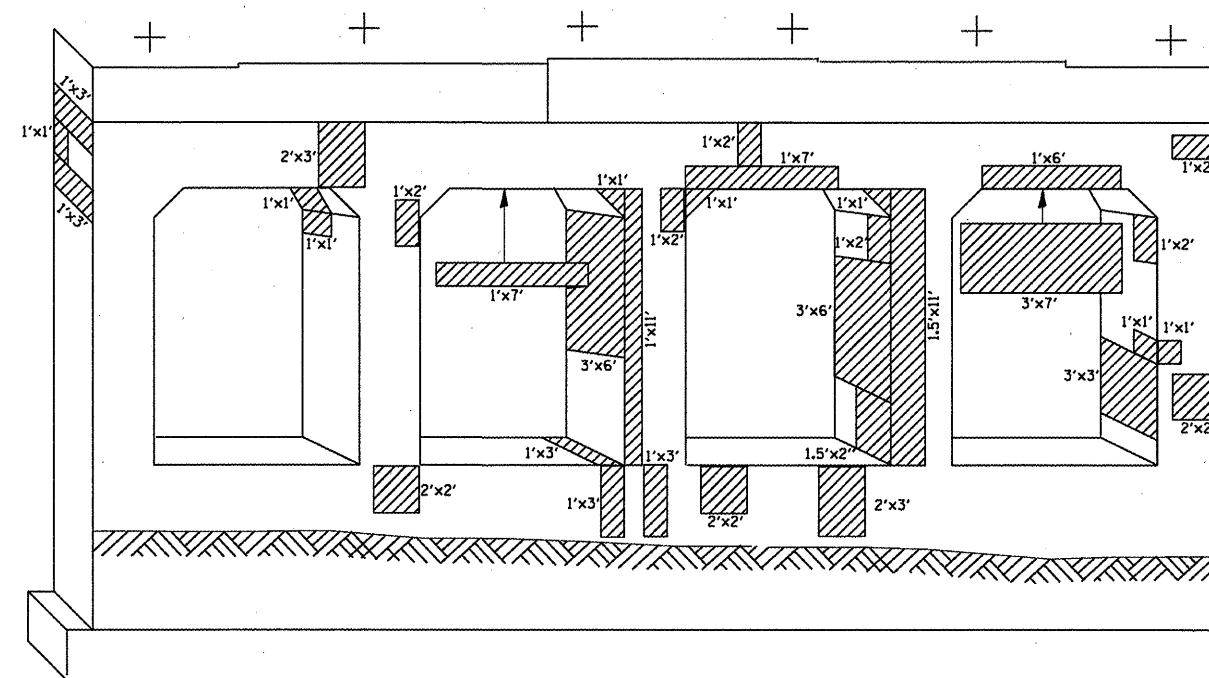
WEST ELEVATION (PIER 1)



WEST ELEVATION (PIER 2)




EAST ELEVATION (PIER 1)



EAST ELEVATION (PIER 2)

LEGEND:

 STRUCTURAL REPAIR OF CONCRETE ≤ 5"

BILL OF MATERIALS

ITEM	UNIT	QUANTITY
STRUCTURAL REPAIR OF CONCRETE DEPTH ≤ 5"	SQ. FT.	421

FILE NAME =	USER NAME = tntiakosmv	DESIGNED - RTB	REVISED -
ct\pwork\PM\DOT\TINIAKOSMV\d0101671\016-0948.dgn		DRAWN - MVT	REVISED -
PLOT SCALE = 100.0000 / IN.		CHECKED - MVT	REVISED -
PLOT DATE = 11/5/2009		DATE - 11/4/09	REVISED -

**STATE OF ILLINOIS
DEPARTMENT OF TRANSPORTATION**

**IL 19 (IRVING PARK ROAD) OVER EJ & E RR
PIER REPAIR DETAILS
S.N. 016-0948**

SCALE: SHEET NO. 6 OF 7 SHEETS STA. TO STA.

F.A.U. RTE. 1321	SECTION 0303 VB-1	COUNTY COOK	TOTAL SHEETS 21	SHEET NO. 12
CONTRACT NO. 60H80				
ILLINOIS FED. AID PROJECT				