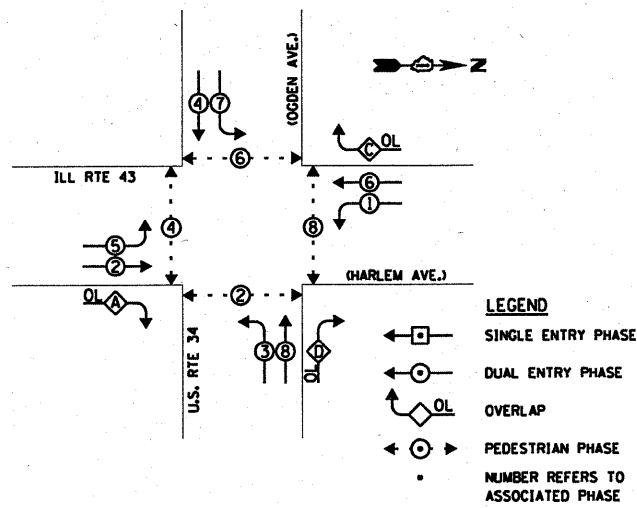


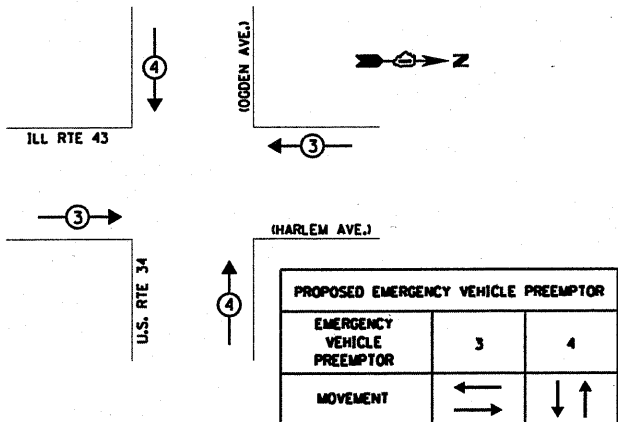
TEMPORARY CONTROLLER SEQUENCE



TEMPORARY PHASE DESIGNATION DIAGRAM

OVERLAP LETTER	PERMISSIVE PHASE	PROTECTED PHASE
A =	2 +	3
C =	6 +	7
D =	8 +	1

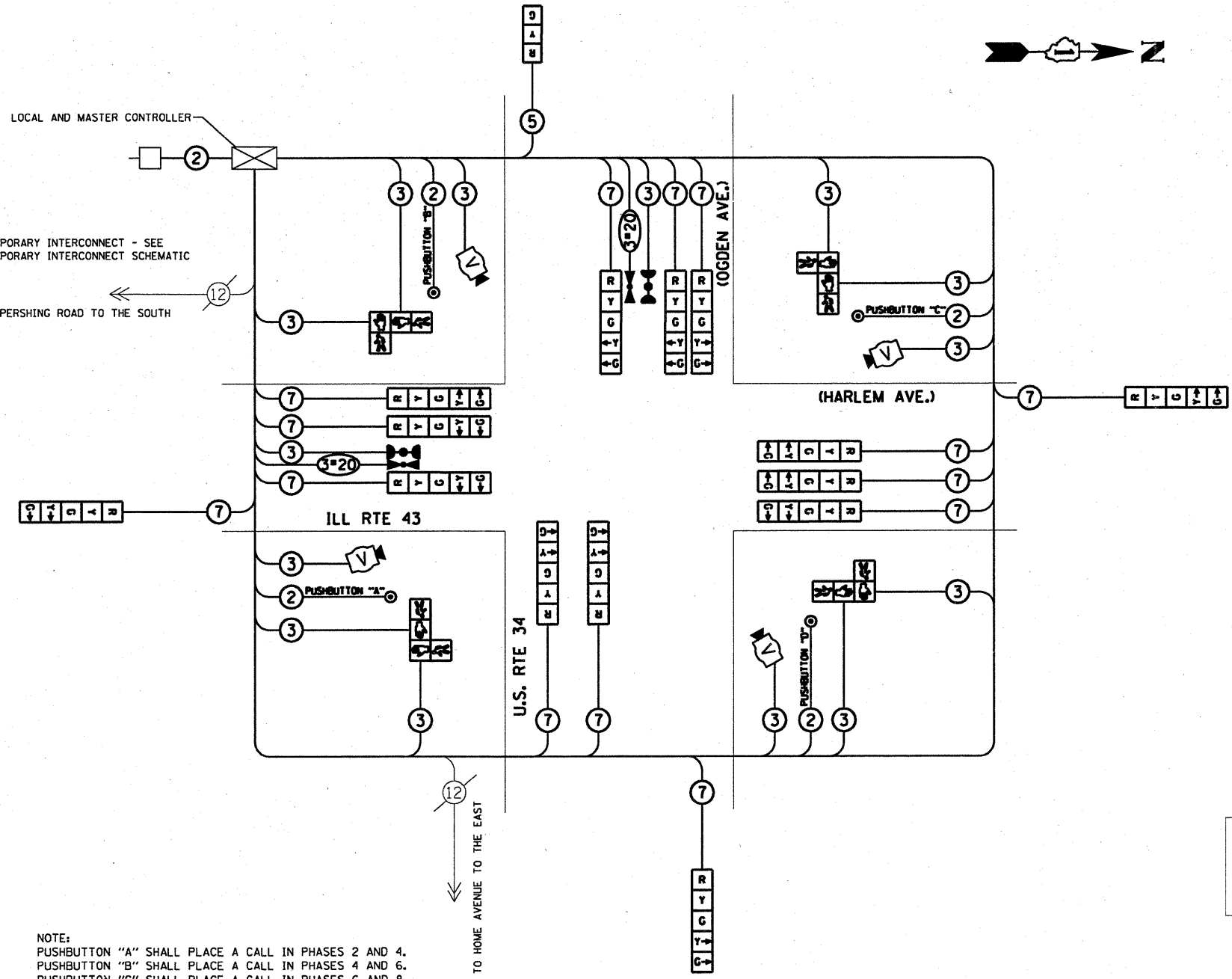
EMERGENCY VEHICLE PREEMPTION SEQUENCE



TEMPORARY CABLE DIAGRAM LEGEND

- R TEMPORARY TRAFFIC SIGNAL SECTION OR PEDESTRIAN SIGNAL SECTION, 12" (300 mm)
- X TEMPORARY CONTROLLER CABINET
- TEMPORARY SERVICE INSTALLATION
- ⑤ INDICATES NUMBER OF CONDUCTORS IN CABLE. ALL CONDUCTORS TO BE NUMBERED 14 AWG WIRE UNLESS OTHERWISE NOTED.
- EMERGENCY VEHICLE LIGHT DETECTOR
- CONFIRMATION BEACON
- PEDESTRIAN PUSHBUTTON DETECTOR
- VEHICLE DETECTOR, INDUCTION LOOP
- 12" (300 mm) PEDESTRIAN SIGNAL SECTION
- MICROWAVE VEHICLE SENSOR
- VIDEO DETECTOR

LOCAL AND MASTER CONTROLLER
 TEMPORARY INTERCONNECT - SEE TEMPORARY INTERCONNECT SCHEMATIC
 TO PERSHING ROAD TO THE SOUTH



TEMPORARY CABLE PLAN

NOTE:
 THE TRAFFIC SIGNAL CONTROLLER EQUIPMENT FOR THIS PROJECT SHALL BE "EAGLE" TO MATCH THE EXISTING ADJACENT SYSTEM.

NOTE:
 PUSHBUTTON "A" SHALL PLACE A CALL IN PHASES 2 AND 4.
 PUSHBUTTON "B" SHALL PLACE A CALL IN PHASES 4 AND 6.
 PUSHBUTTON "C" SHALL PLACE A CALL IN PHASES 6 AND 8.
 PUSHBUTTON "D" SHALL PLACE A CALL IN PHASES 2 AND 8.

I.D.O.T. TRAFFIC SIGNAL INSTALLATION ELECTRICAL SERVICE REQUIREMENTS					TOTAL WATTAGE
TYPE	NO. LAMPS	WATTAGE INCAND.	WATTAGE LED	% OPERATION	
SIGNAL (RED)	15	17	0.50	102.0	
(YELLOW)	15	25	0.25	75.0	
(GREEN)	15	15	0.25	45.0	
ARROW	28	12	0.10	14.4	
PED. SIGNAL	8	25	1.00	200.0	
CONTROLLER	1	100	1.00	100.0	
ILLUM. SIGN			0.05		
FLASHER			0.05		
ENERGY COSTS TO:			TOTAL =		536.4

ENERGY SUPPLY CONTACT: CITY OF BERWYN, 6700 26TH STREET, BERWYN, IL 60402
 CONTACT: JUANITA VEIGELT, (815) 724-5657, COMMONWEALTH EDISON