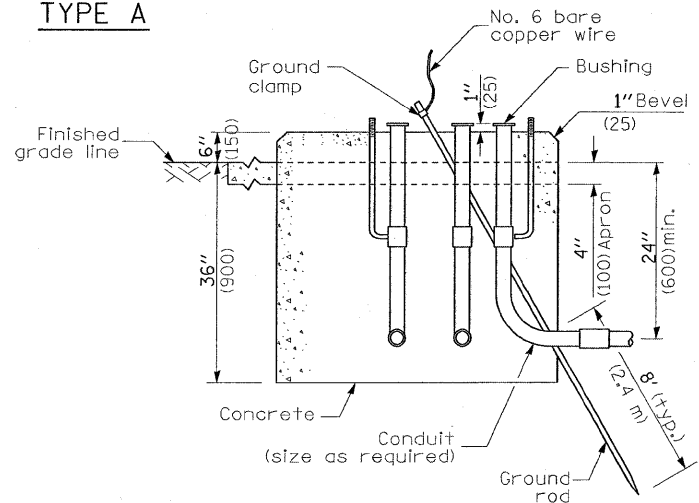
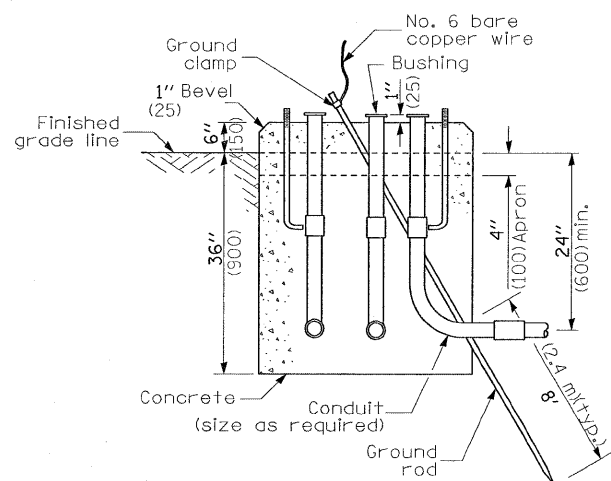


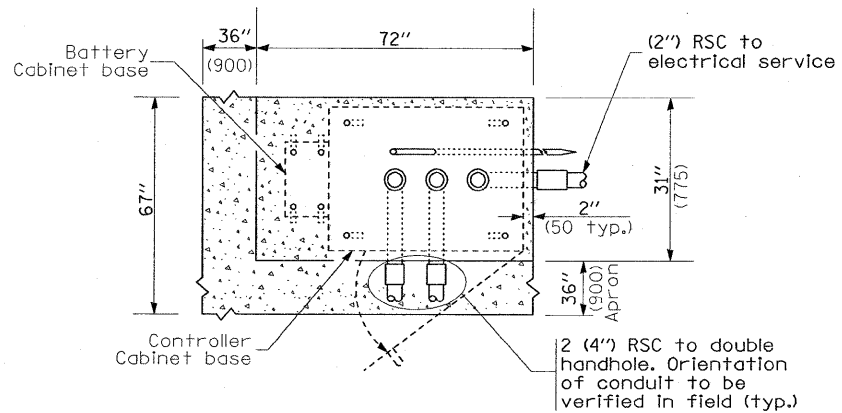
TYPE A



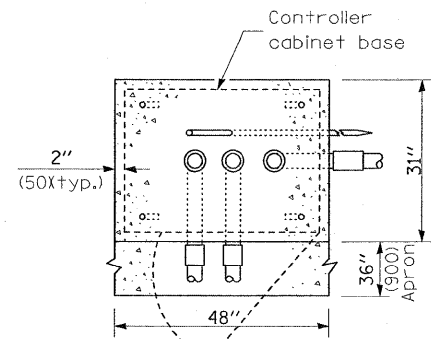
**TYPE C
FOR GROUND MOUNTED
CONTROLLER CABINET
AND UPS BATTERY CABINET**



**TYPE D
FOR GROUND MOUNTED
CONTROLLER CABINET**

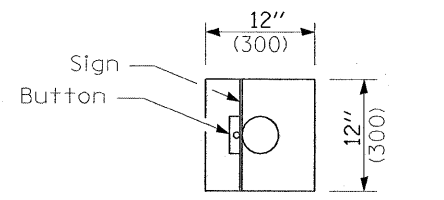


TOP VIEW

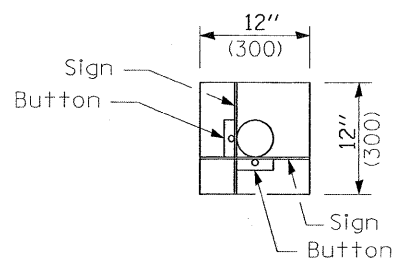


TOP VIEW

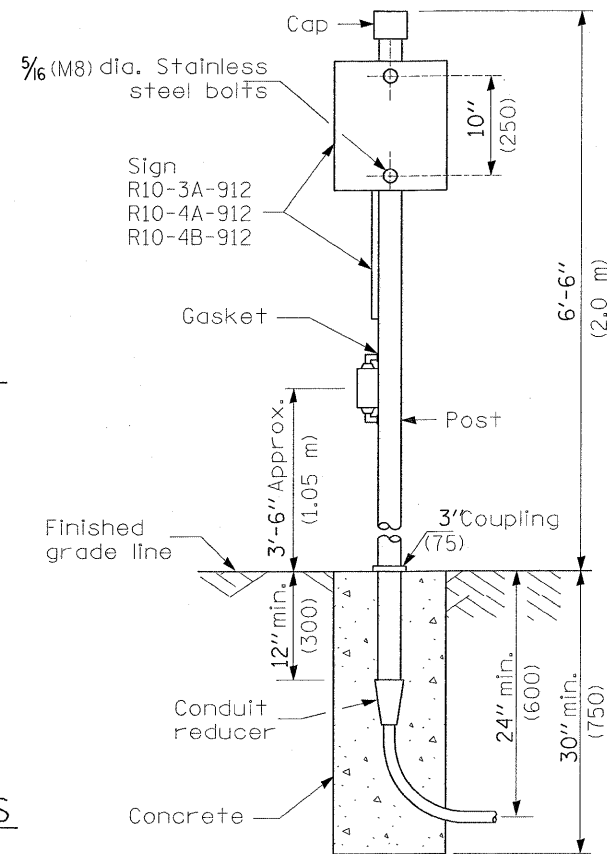
All dimensions are in millimeters (inches) unless otherwise shown.



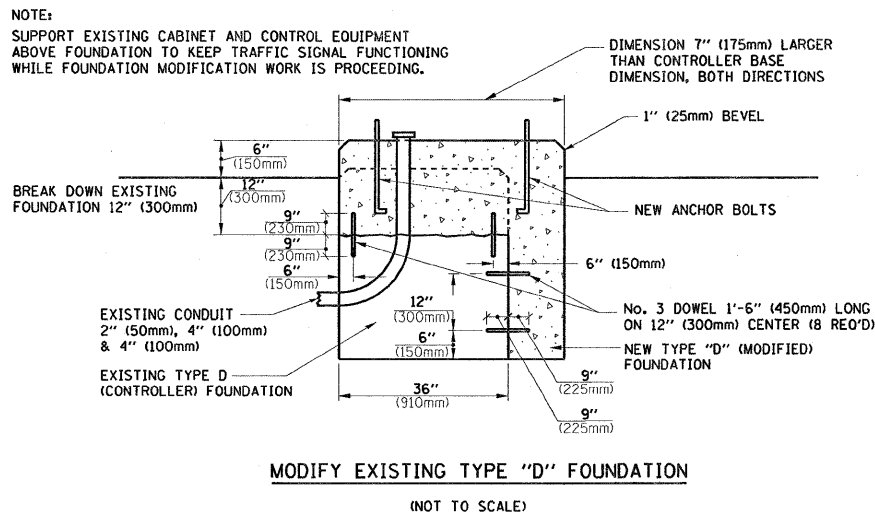
**TOP VIEW
TYPICAL ONE BUTTON**



**TOP VIEW
TYPICAL TWO BUTTONS**

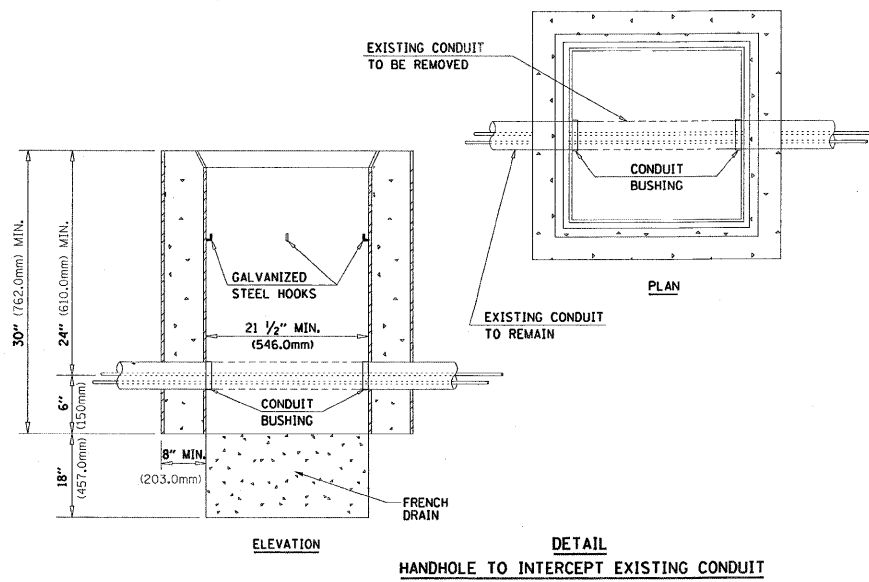


PEDESTRIAN PUSH BUTTON POST



**MODIFY EXISTING TYPE "D" FOUNDATION
(NOT TO SCALE)**

NOTES:
1. REMOVAL OF EXISTING CONDUIT FROM THE HANDHOLE AND THE INSTALLATION OF THE CONDUIT BUSHING SHALL BE INCIDENTAL TO THE HANDHOLE.



**DETAIL
HANDHOLE TO INTERCEPT EXISTING CONDUIT
N.T.S.**

| | | | |
|-----------------------------|----------------------|------------|-----------|
| FILE NAME = | USER NAME = nguyenam | DESIGNED - | REVISED - |
| PLT SCALE = 20,0000 1 / IN. | CHECKED - | REVISED - | REVISED - |
| PLT DATE = 10/16/2009 | DATE - | REVISED - | REVISED - |

**STATE OF ILLINOIS
DEPARTMENT OF TRANSPORTATION**

**DISTRICT 1
STANDARD TRAFFIC SIGNAL DESIGN DETAILS**

SCALE: SHEET NO. OF SHEETS STA. TO STA.

| | | | | |
|---|---------------------|-------------|--------------------|-------------|
| F.A.P. RTE. 347 | SECTION 2009-094 TS | COUNTY COOK | TOTAL SHEETS 14 | SHEET NO. 6 |
| FED. ROAD DIST. NO. ILLINOIS FED. AID PROJECT | | | CONTRACT NO. 60151 | |