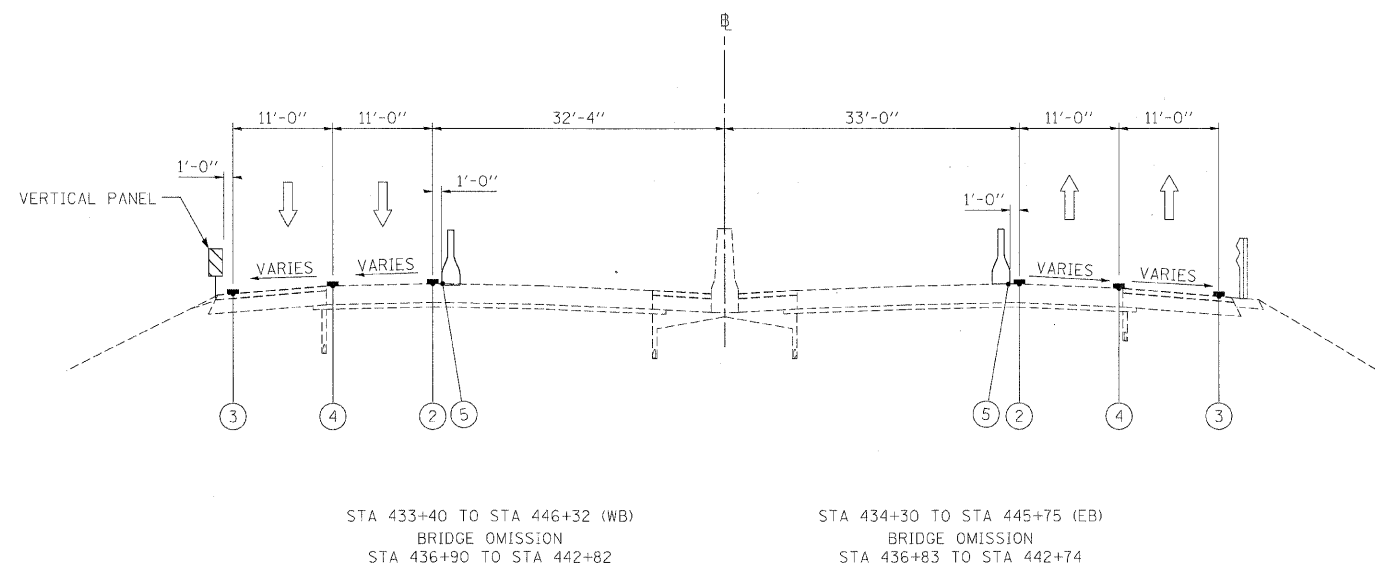


**I-290 MAINTENANCE OF TRAFFIC
TYPICAL SECTION
STAGE 2**



**I-290 MAINTENANCE OF TRAFFIC
TYPICAL SECTION
STAGE 2**

LEGEND

- ① EXISTING PAVEMENT MARKING
- ② WET REFLECTIVE TEMPORARY TAPE, - TYPE III, 4 INCH (YELLOW)
- ③ WET REFLECTIVE TEMPORARY TAPE, - TYPE III, 4 INCH (WHITE)
- ④ WET REFLECTIVE TEMPORARY TAPE, - TYPE III, 5 INCH (WHITE)
- ⑤ TEMPORARY PAVEMENT MARKING - LINE 6" (YELLOW) (ON BARRIER)
- ⑥ TEMPORARY PAVEMENT MARKING - LINE 6" (WHITE) (ON BARRIER)
- ⑦ WET REFLECTIVE TEMPORARY TAPE - TYPE III, 8 INCH (WHITE)
- TEMPORARY CONCRETE BARRIER
- TYPE II BARRIER, DRUM, OR VERTICAL BARRICADE WITH STEADY BURN MONODIRECTIONAL LIGHT
- WORK ZONE

FILE NAME =	DESIGNED - AJP	REVISED -
...:\prpln_abc_c4_ml_mot_typ.st.2.09.dgn	DRAWN - TMB	REVISED -
USER NAME = tblank	CHECKED - JJT	REVISED -
PLOT DATE = 11/13/2009	DATE - 10/16/09	REVISED -

benesch

**STATE OF ILLINOIS
DEPARTMENT OF TRANSPORTATION**

**MAINTENANCE OF TRAFFIC
TYPICAL SECTIONS - STAGE 2**

SCALE: N.T.S. SHEET NO. 37 OF 69 SHEETS STA. TO STA.

F.A.I. RTE.	SECTION	COUNTY	TOTAL SHEETS	SHEET NO.
290	2009-0998R	COOK/DUPAGE	309	82
FED. ROAD DIST. NO.			ILLINOIS FED. AID PROJECT CONTRACT NO. 60157	