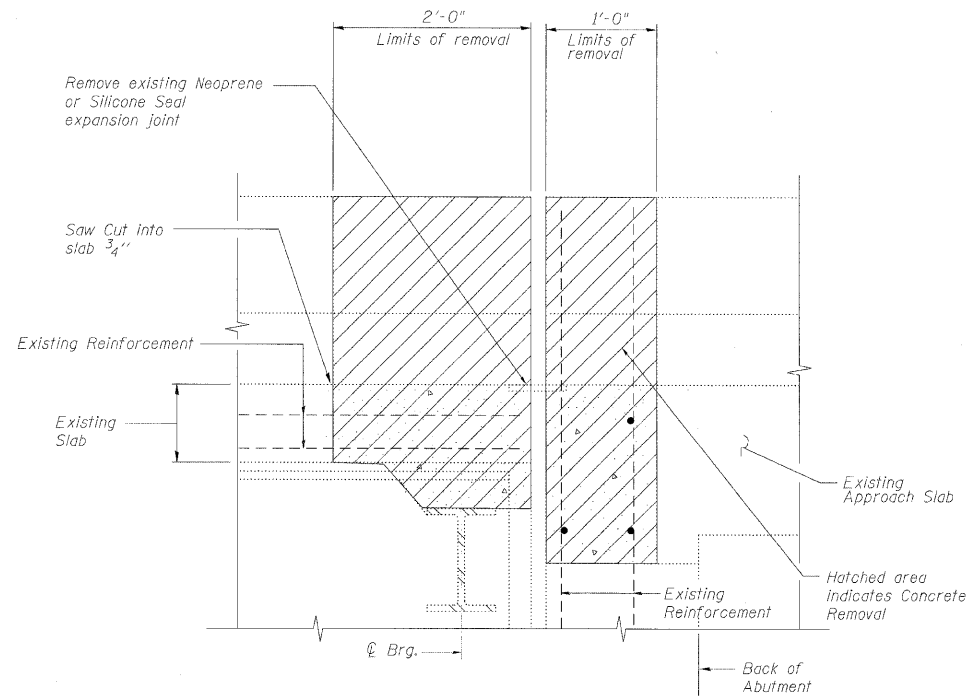
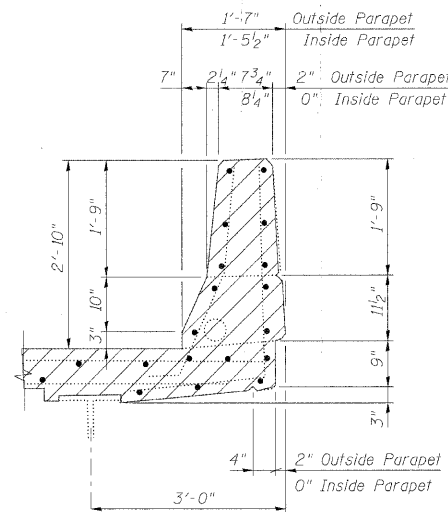


STATE OF ILLINOIS
DEPARTMENT OF TRANSPORTATION



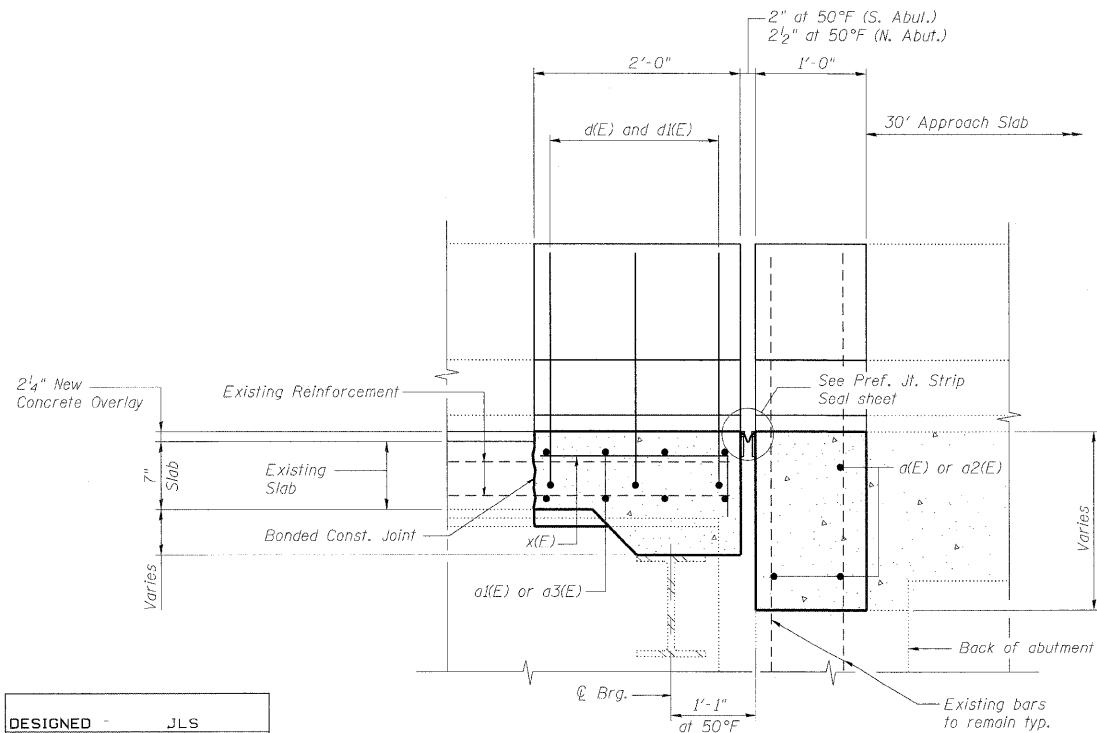
SECTION A-A



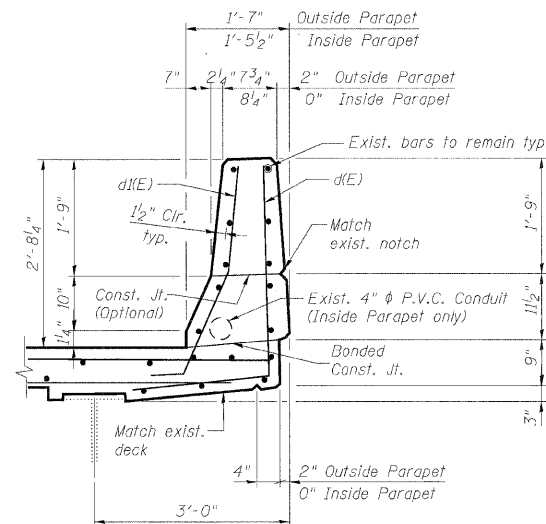
EXISTING PARAPET SECTION

Notes:

- Existing reinforcement bars extending into the concrete removal area shall be blast-cleaned, straightened and incorporated into the new construction. Any reinforcement bars that are damaged during concrete removal shall be repaired or replaced with an approved bar splicer or anchorage system. Cost included with Concrete Removal.
- Existing reinforcement bars in the concrete removal area parallel to the expansion joints shall be removed.
- Removal and disposal of the existing expansion joints will not be paid for separately, but shall be included with the cost of Concrete Removal.
- If existing name plate falls within the limits of Concrete Removal, it shall be removed and reinstalled in its original location in accordance with IDOT Std. 515001. Cost included with Concrete Superstructure.
- If existing guardrail and/or end shoe fall within the limits of Concrete Removal, they shall be removed and reinstalled in their original location in accordance with District 1 Std. BM-21. Cost Included with Concrete Superstructure.
- The Contractor shall exercise extreme care with the existing conduits in sections of the parapet to be removed and to protect and support the conduit. The Contractor will be required to repair any damage done to the conduit to the satisfaction of the Engineer, at no additional cost to the Department. No splicing will be allowed to any cable damage resulting from this work, instead the Contractor will be required to repair the entire span of any damaged cable at no additional cost to the Department.
- Existing noise wall to remain. Care shall be taken not to damage the noise wall during parapet removal and reconstruction. Any damage to the noise walls shall be repaired at no additional cost to the Department. If a noise wall connection falls within the limits of concrete removal, then the connection shall be removed and reinstalled and noise wall temporarily supported to the satisfaction of the Engineer. Cost included in Concrete Removal.
- Work this sheet with Expansion Joint Repairs sheet.



SECTION B-B



PROPOSED PARAPET SECTION

DESIGNED	JLS
CHECKED	AAY
DRAWN	VH
CHECKED	AAY

benesch

alfred benesch & company
Engineers • Surveyors • Planners
205 North Michigan Avenue, Suite 2400
Chicago, Illinois 60601
312-565-0450 Job No. 10050

EXPANSION JOINT DETAILS
STRUCTURE NO. 016-1134

SHEET NO. 6	F.A.I. RTE.	SECTION	COUNTY	TOTAL SHEETS	SHEET NO.
	290	2009-099 BR	COOK/DUPAGE	309	162
8 SHEETS	CONTRACT NO. 60157				
FED. ROAD DIST. NO.		ILLINOIS	FED. AID PROJECT		