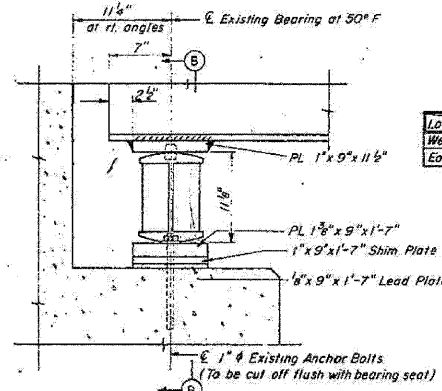


STATE OF ILLINOIS
DEPARTMENT OF TRANSPORTATION

ROUTE NO.	SECTION	COUNTY	TOTAL SHEETS	SHEET NO.	SHEET NO. II
FA 1290	1984-083R	DUPAGE	309	241	OF 14 SHEETS
FED. ROAD DIST. NO. 7	ILLINOIS	FEDERAL AID PROJECT NO.			

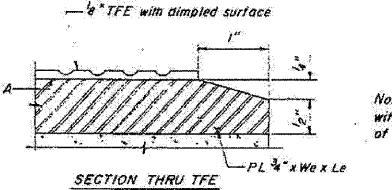
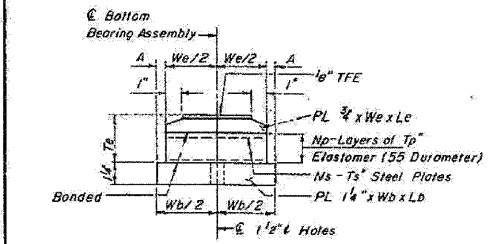
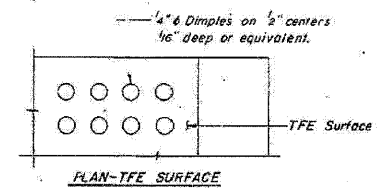
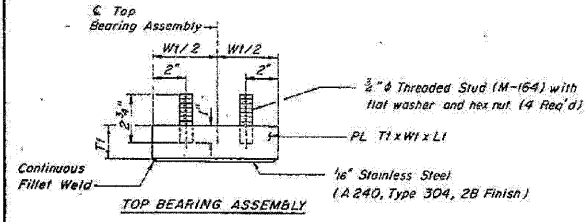
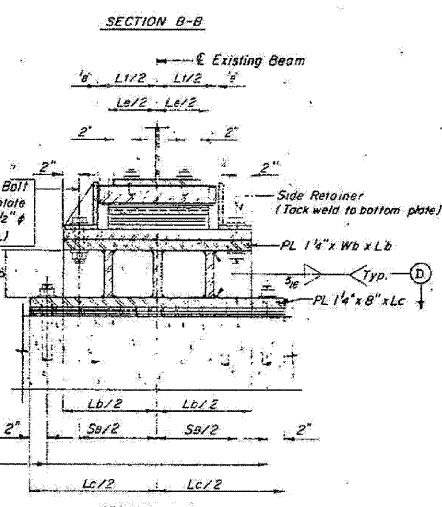
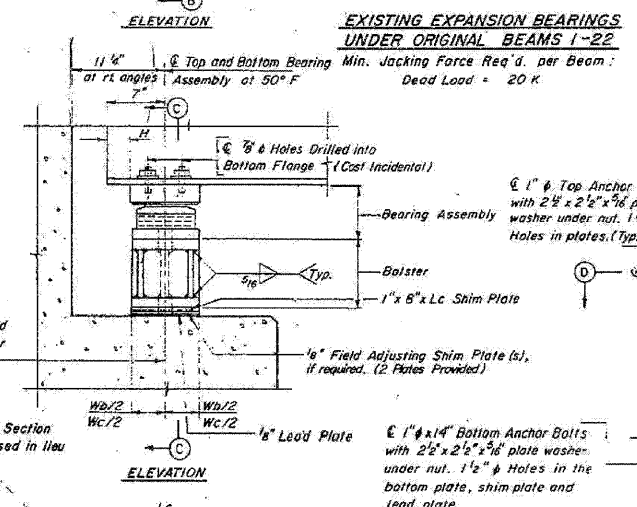
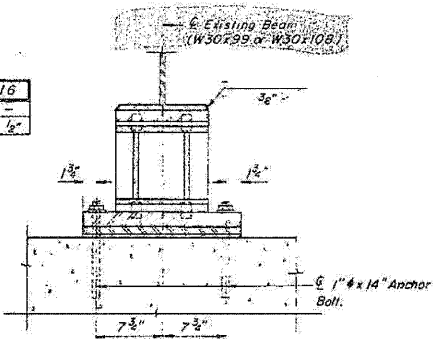
NOTES:
Existing bearings are to be removed and new elastomeric bearings are to be installed.
This contract includes only the work necessary to replace the bearings. New bearings will be furnished by the State.
The information relating to the fabrication of the bearings is being provided for information only. For anchor bolt installation details, see Sheet No. 12. Jacking shall be done without live load present.

FABRICATION NOTES:
Contractor shall verify dimensions of existing bearings before removing and ordering new bearings. All structural steel shall be A.A.S.H.T.O. M-183.



"I" DIMENSIONS

Location	Beam	G	T	L	B
West Abutment		3/8"	3/8"		
East Abutment		3/8"	3/8"		



NOTE A: The 1/8" TFE Sheet shall be bonded directly to the top steel plate with a two-component, medium viscosity epoxy resin, conforming to the requirements of the Federal Specification MMM-A-134 Type I. The bond agent shall be applied on the full area of the contact surface.
Bonding of 1/8" TFE sheet during the vulcanizing process will be permitted provided the process and method of adjusting assembly height is approved by the Engineer.

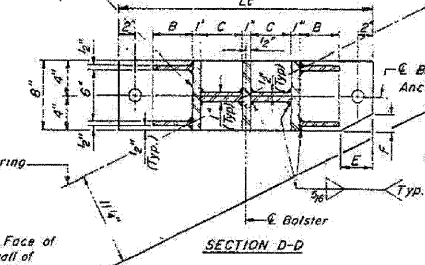
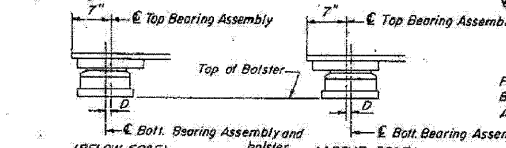
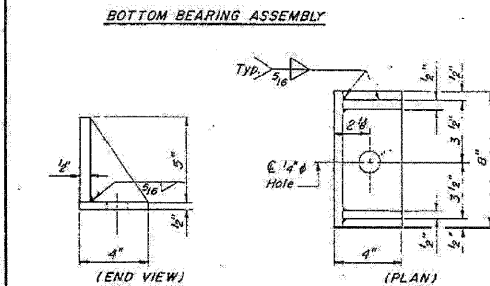


TABLE OF VARIABLES FOR EXPANSION BEARINGS

BEAM (East and West Abutment)	VARIABLE																				
	To	We	Le	Np	Tp	Ns	Ts	Wt	Lt	Wb	Lb	Lc	Sa	A	B	C	E	F	G	H	
6, 7, 16, 17	2 3/4"	6"	10"	5"	3/8"	4"	4"	1 1/2"	7 1/2"	12"	8"	1'-8 1/2"	2'-4 1/2"	1'-4 1/2"	1"	4 3/4"	4"	2"	1"	3 1/2"	3 1/4"
1-5, 8-15, 18-22	2 3/4"	7"	12"	4"	3/8"	3"	3"	2"	8 1/2"	1'-2"	8"	1'-10 1/2"	2'-6 1/4"	1'-6 1/2"	1/2"	4 1/4"	5"	1 1/2"	5 1/4"	2 3/4"	

BILL OF MATERIALS

ITEM	UNIT	QUANTITY
Jacking and Removing Existing Bearings	Each	44
Install Elastomeric Bearings Assembly, Type I	Each	44

STATE OF ILLINOIS
DEPARTMENT OF TRANSPORTATION
BEARING INSTALLATION DETAILS AT ABUTMENTS
E.A.I. ROUTE 290, DUPAGE COUNTY
SECTION 1984-083R
STA. 979+19.39
INTERSTATE ROUTE 290 OVER YORK ROAD

HOWARD NEEDLES TAMMEN & BERENSON
MADE J.R.B. DATE 9-7-84 CHECKED P.C.A. DATE 5-23-85

BEARING DETAILS
(Beams 1-22)

SHEET 176 OF 276

FOR INFORMATION ONLY

benesch
alfred benesch & company
Engineers • Surveyors • Planners
205 North Michigan Avenue, Suite 2400
Chicago, Illinois 60601
312-565-0450 Job No. 10050

SHEET NO. 22 25 SHEETS	F.A.I. RTE.	SECTION	COUNTY	TOTAL SHEETS	SHEET NO.
	290	2009-099 BR	COOK/DUPAGE	309	241
FED. ROAD DIST. NO.		ILLINOIS	FED. AID PROJECT	CONTRACT NO. 60157	

EXISTING PLAN INFORMATION 5 OF 10
STRUCTURE NO. 022-0006

x:\10000s\10050\engineering\documents\contract\1\SN_022_0006_0005_York_Rd\0006-60051-022-Exp\stplon_05.dgn 18:41:33 11/12/2009