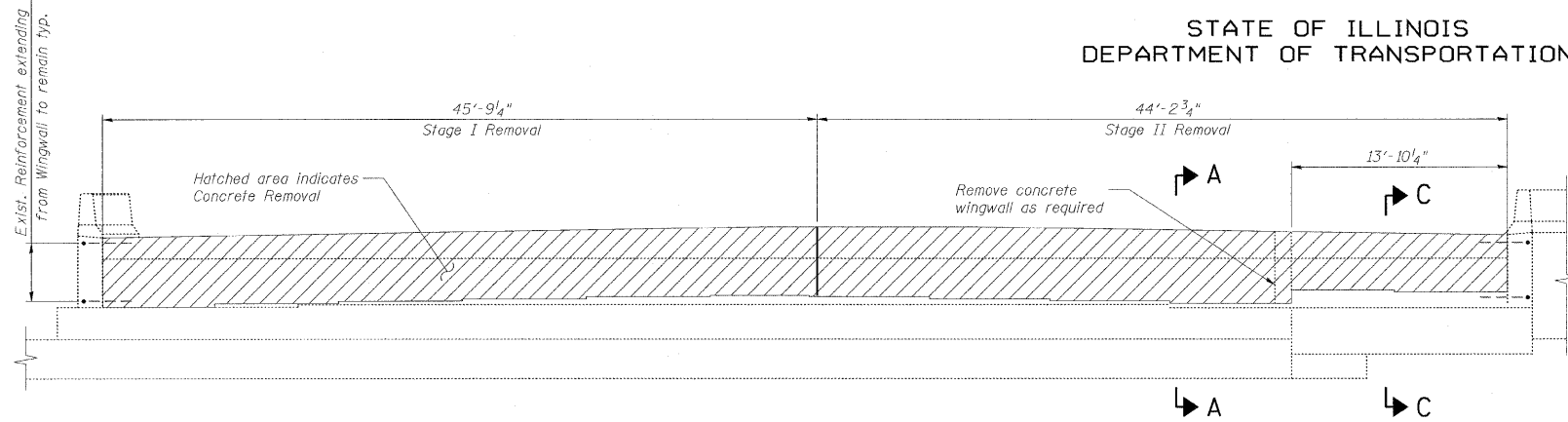
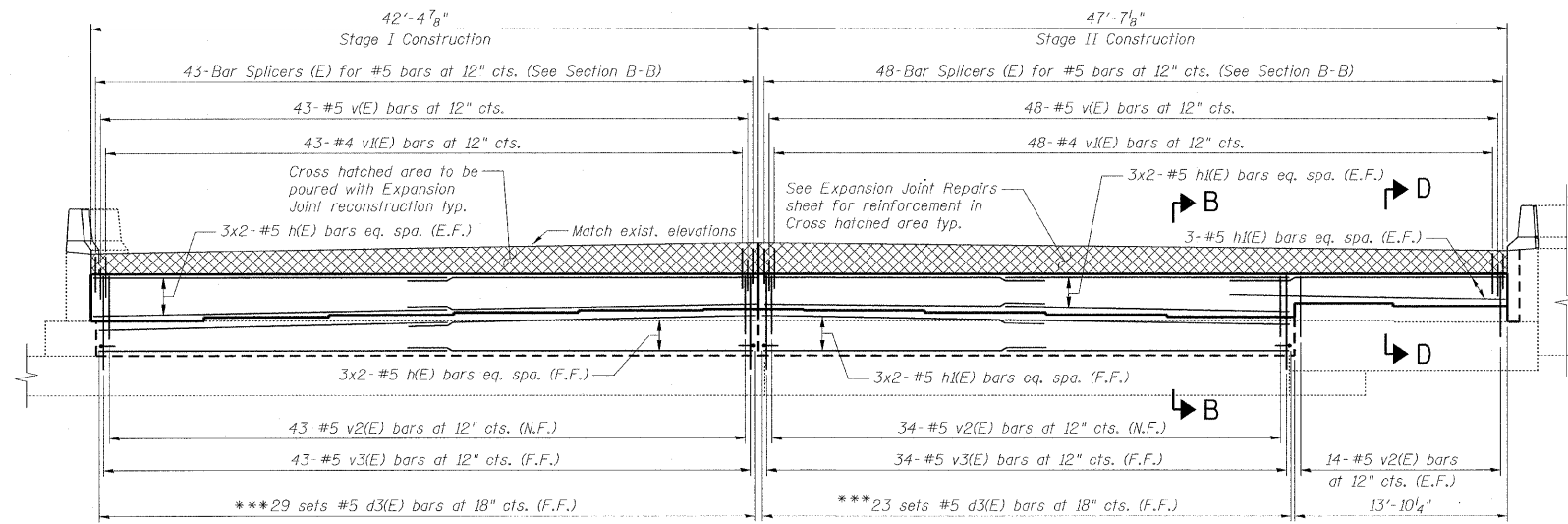


STATE OF ILLINOIS  
DEPARTMENT OF TRANSPORTATION

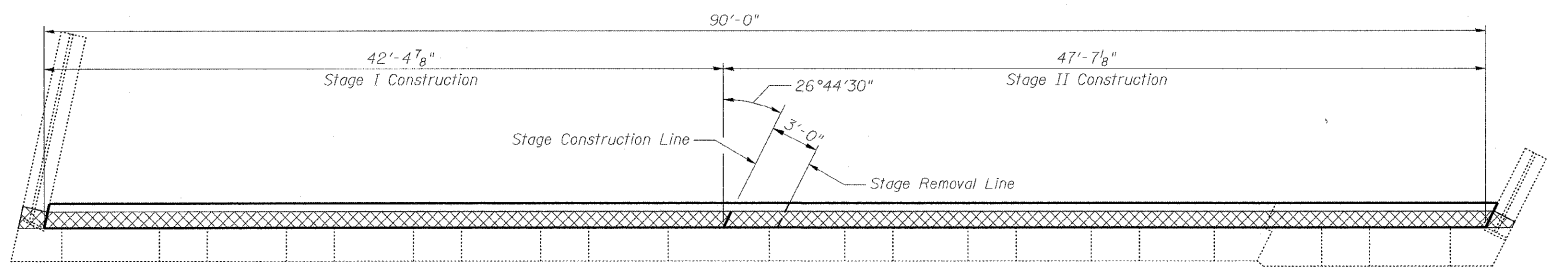


**ELEVATION - BACKWALL REMOVAL**  
(Looking West)

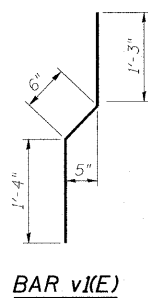


**ELEVATION - PROPOSED BACKWALL**  
(Looking West)

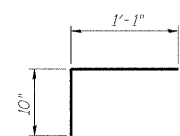
\*\*\* Three d3(E) bars per set. See Section B-B for placement.



**PLAN**

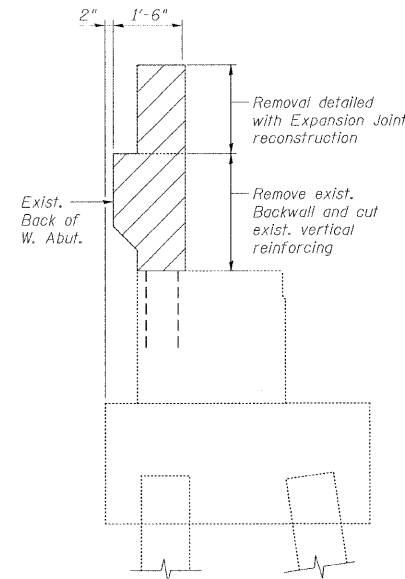


**BAR v1(E)**

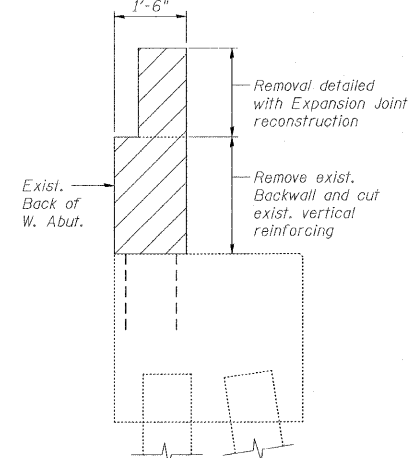


**BAR d3(E)**

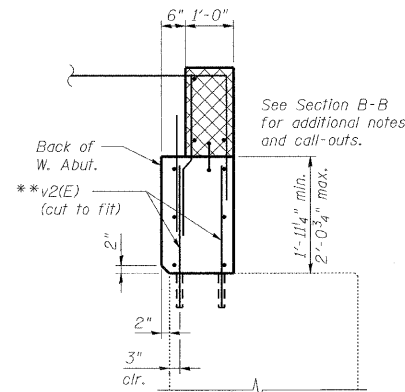
DESIGNED -	MFB
CHECKED -	KWS
DRAWN -	RMG
CHECKED -	KWS



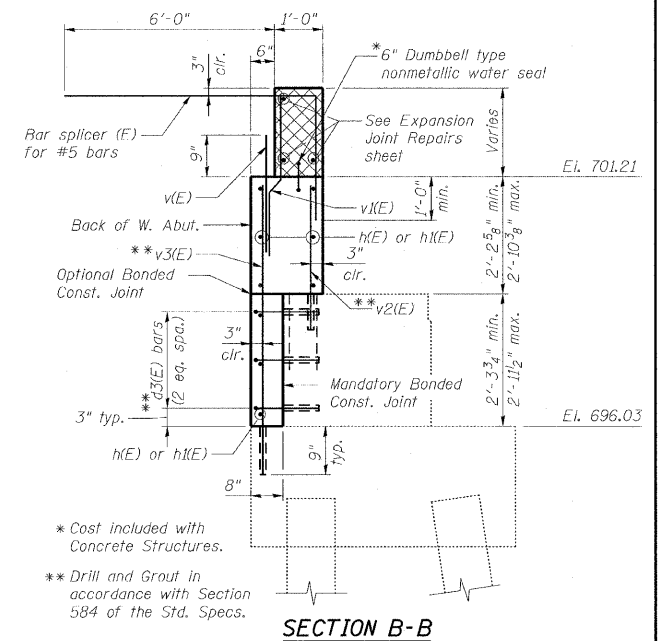
**SECTION A-A**



**SECTION C-C**



**SECTION D-D**



**SECTION B-B**

\* Cost included with Concrete Structures.  
\*\* Drill and Grout in accordance with Section 584 of the Std. Specs.

**BILL OF MATERIAL**

BAR	NO.	SIZE	LENGTH	SHAPE
h(E)	18	#5	22'-6"	—
h(E)	24	#5	18'-3"	—
v(E)	91	#5	2'-11"	
v1(E)	91	#4	3'-1"	
v2(E)	105	#5	3'-5"	
v3(E)	77	#5	5'-5"	
d3(E)	156	#5	1'-11"	└
ITEM	UNIT	TOTAL		
Concrete Removal	Cu. Yd.	11.2		
Concrete Structures	Cu. Yd.	17.3		
Reinforcement Bars, Epoxy Coated	Pound	2,470		

**Notes:**

- Cross hatched area to be poured with Expansion Joint reconstruction. Quantity of concrete included with Concrete Superstructure.
- Bars indicated thus 5x2-#5 etc. indicates 5 lines of bars with 2 lengths per line.
- E.F. denotes Each Face; F.F. denotes Far Face; N.F. denotes Near Face.
- Existing reinforcement bars extending into the concrete removal area that are designated to remain shall be cleaned, straightened and incorporated into the new construction. Any reinforcement bars that are damaged during concrete removal shall be replaced with an approved bar splicer or anchorage system. Cost included with Concrete Removal.
- For details of Bar Splicers, see Bar Splicer Assembly Details sheet.
- Cost of drilling and grouting is included with Reinforcement Bars, Epoxy Coated.
- Space d3(E) bars to miss v2(E) bars.

**WEST ABUTMENT BACKWALL REPAIRS**  
**STRUCTURE NO. 022-0005**

SHEET NO. 13 25 SHEETS	F.A.I. RTE.	SECTION	COUNTY	TOTAL SHEETS	SHEET NO.
	290	2009-099 BR	COOK/DUPAGE	309	257
CONTRACT NO. 60157					
FED. ROAD DIST. NO. ILLINOIS FED. AID PROJECT					

**benesch**  
alfred benesch & company  
Engineers - Surveyors - Planners  
205 North Michigan Avenue, Suite 2400  
Chicago, Illinois 60601  
312-665-0450 Job No. 10050

x:\1000s\10050\engineering\documents\contract\1\sn\_022-0006-0005-jork-r.d\0005-60051-013-West.Backwall-repair.dgn 12:26:15 12/01/2009