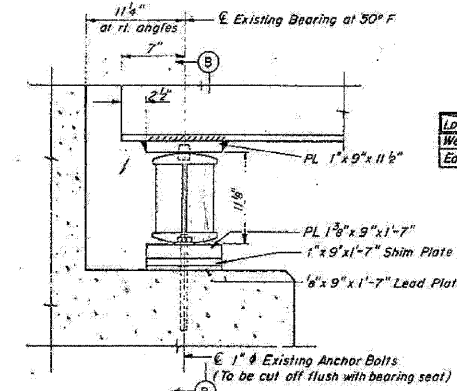


STATE OF ILLINOIS  
DEPARTMENT OF TRANSPORTATION

ROUTE NO.	SECTION	COUNTY	TOTAL SHEETS	SHEET NO.
FAL 890	1964-083R	DUPAGE	276	176
FEDERAL AID PROJECT NO.				

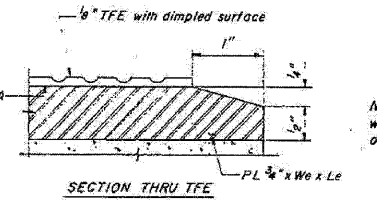
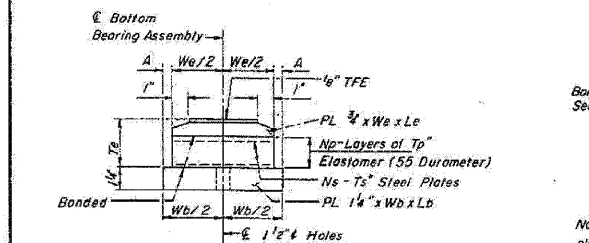
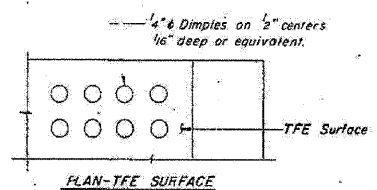
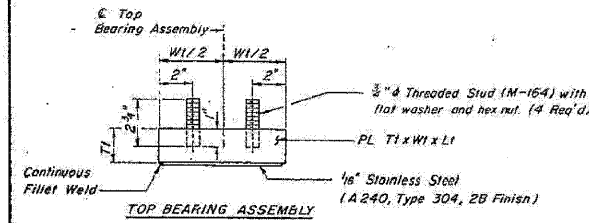
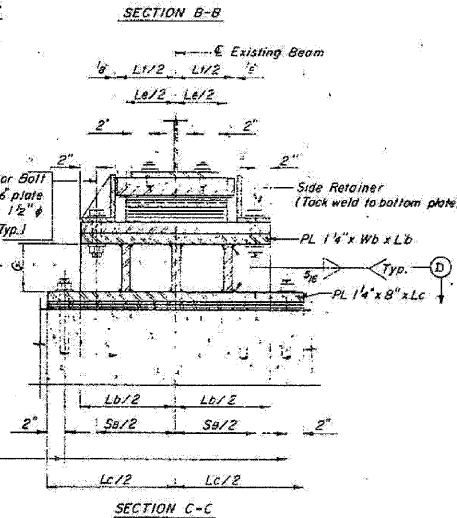
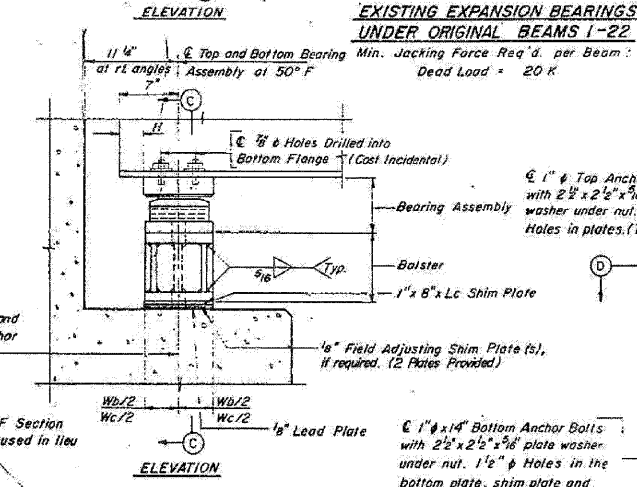
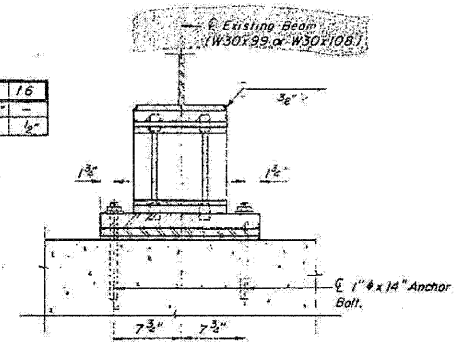
**NOTES:**  
Existing bearings are to be removed and new elastomeric bearings are to be installed. This contract includes only the work necessary to replace the bearings. New bearings will be furnished by the State. The information relating to the fabrication of the bearings is being provided for information only. For anchor bolt installation details, see Sheet No. 12. Jacking shall be done without live load present.

**FABRICATION NOTES:**  
Contractor shall verify dimensions of existing bearings before removing and ordering new bearings. All structural steel shall be A.A.S.H.T.O. M-183.

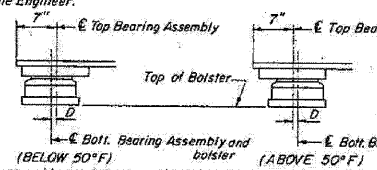
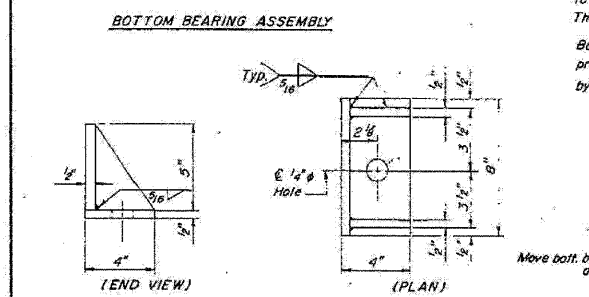


**"I" DIMENSIONS**

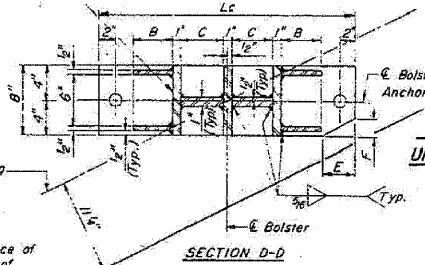
LOCATION	Beam	6	7	16
West Abutment			9"	
East Abutment		8"		12"



**NOTE A:** The 1/8" TFE Sheet shall be bonded directly to the top steel plate with a two-component, medium viscosity epoxy resin, conforming to the requirements of the Federal Specification MMM-A-134 Type I. The bond agent shall be applied on the full area of the contact surface. Bonding of 1/8" TFE sheet during the vulcanizing process will be permitted provided the process and method of adjusting assembly height is approved by the Engineer.



Note: An equivalent WF Section with stiffeners may be used in lieu of welded plates.



**BILL OF MATERIALS**

ITEM	UNIT	QUANTITY
Jacking and Removing Existing Bearings	Each	44
Install Elastomeric Bearings Assembly, Type II	Each	44

**TABLE OF VARIABLES FOR EXPANSION BEARINGS**

BEAM (East and West Abutment)	VARIABLE																					
	Te	We	Le	Wp	Tp	Ns	Ts	Tr	Wl	L1	Wb	Lb	Lc	Sb	A	B	C	E	F	G	H	
6, 7, 16, 17	2 3/4"	6"	10"	5"	5/8"	4"	1 1/4"	7 1/2"	12"	8"	11'-8 1/2"	2'-4 1/2"	1'-4 1/2"		1"	4 1/2"	4"	2"	1"	5 3/8"	3 1/4"	
1-5, 8-15, 18-22	2 3/4"	7"	12"	4"	3/4"	3"	3/4"	2"	8 1/2"	1'-2"	8"	11'-10 1/2"	2'-6 1/2"	1'-6 1/2"		4"	4 1/2"	5"	3"	1 1/2"	5 1/2"	2 3/4"

STATE OF ILLINOIS  
DEPARTMENT OF TRANSPORTATION

**BEARING INSTALLATION DETAILS AT ABUTMENTS**

F.A.I. ROUTE 290, DUPAGE COUNTY  
SECTION 1964-083R  
STA. 979+19.39  
INTERSTATE ROUTE 290 OVER YORK ROAD

HOWARD NEEDLES TAMMEN & BERENDSON  
MADE J.R.B. DATE 9-7-84 CHECKED PCA JTL 5-29-85

FOR INFORMATION ONLY

**benesch**  
alfred benesch & company  
Engineers • Surveyors • Planners  
206 North Michigan Avenue, Suite 2400  
Chicago, Illinois 60601  
312-665-0450 Job No. 10050

SHEET NO. 22	F.A.I. RTE.	SECTION	COUNTY	TOTAL SHEETS	SHEET NO.
25 SHEETS	290	2009-099 BR	COOK/DUPAGE	309	266
FED. ROAD DIST. NO.			ILLINOIS FED. AID PROJECT	CONTRACT NO. 60157	

EXISTING PLAN INFORMATION 5 OF 10  
STRUCTURE NO. 022-0005

SHEET 176 OF 276

x:\100005\10050\engineering\documents\contract\1\SN-022-0006-0005-York-Rd\0005-60051-022-Existplan\_05.dgn 18:44:17 11/12/2009