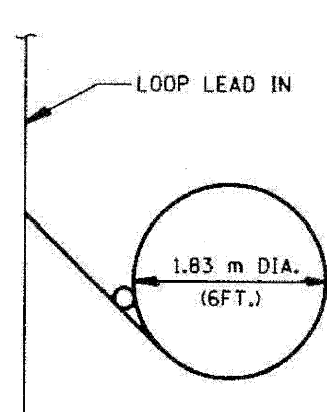
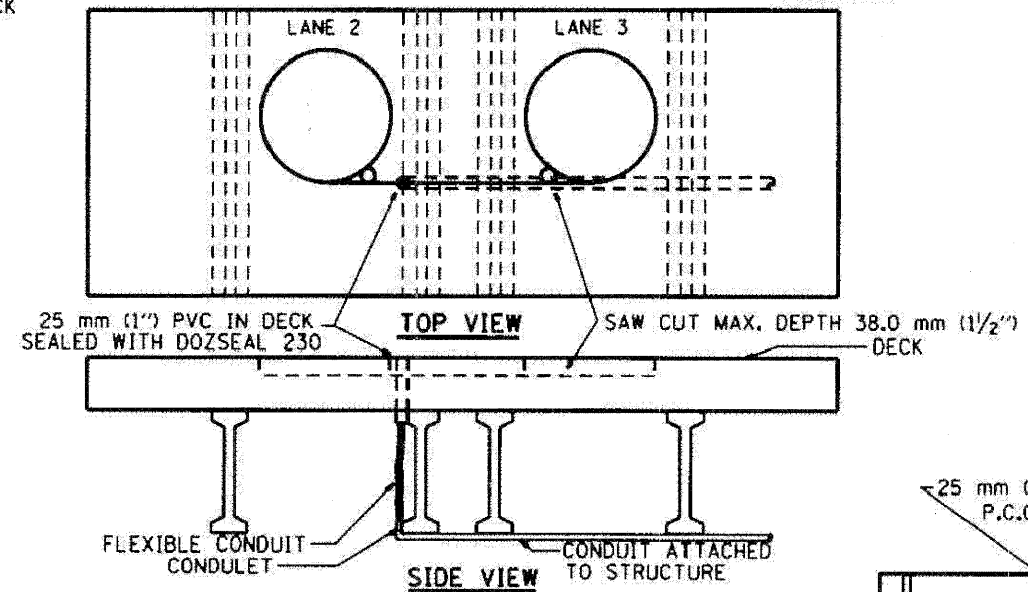
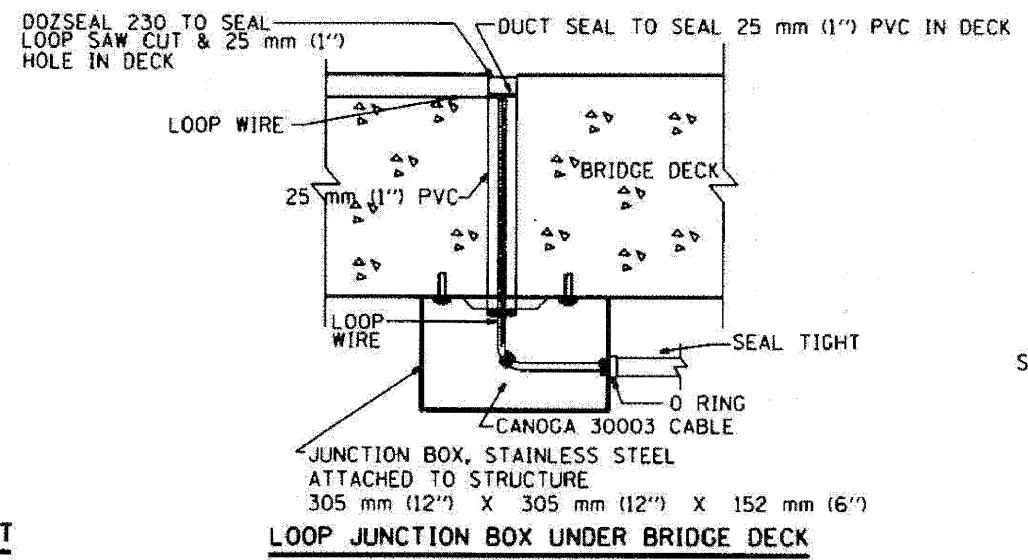


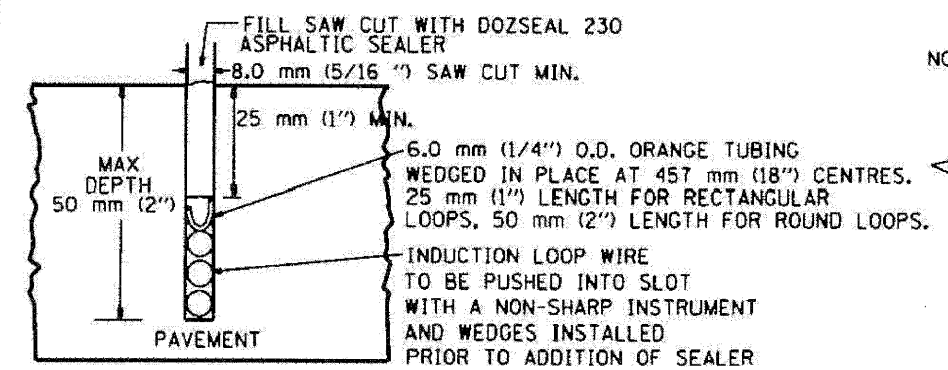
F.A. RTE.	SECTION	COUNTY	TOTAL SHEETS	SHEET NO.
STA.	TO STA.			
FED. ROAD DIST. NO.		ILLINOIS FED. AID PROJECT		



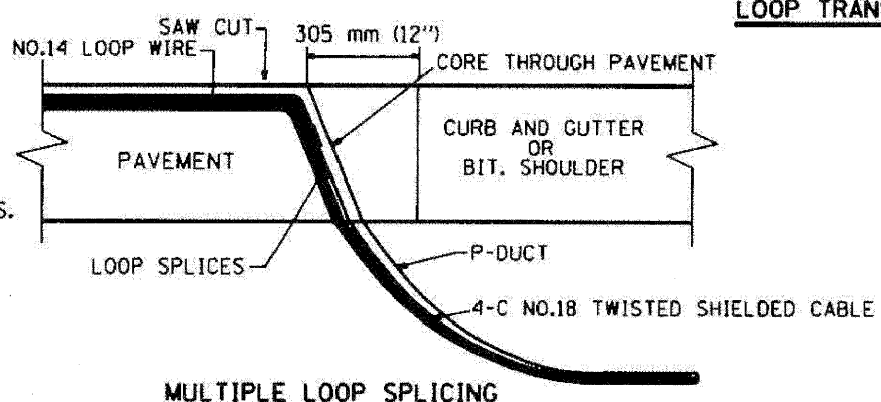
TYPICAL LOOP SAWCUT LAYOUT



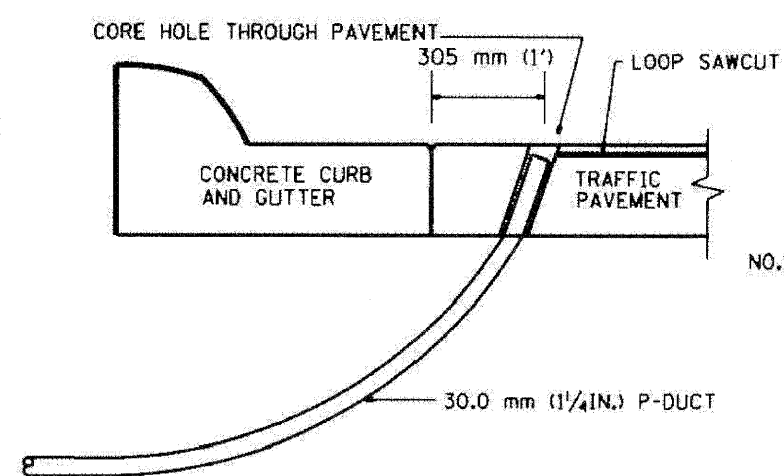
LOOP TRANSITION IN BRIDGE DECK



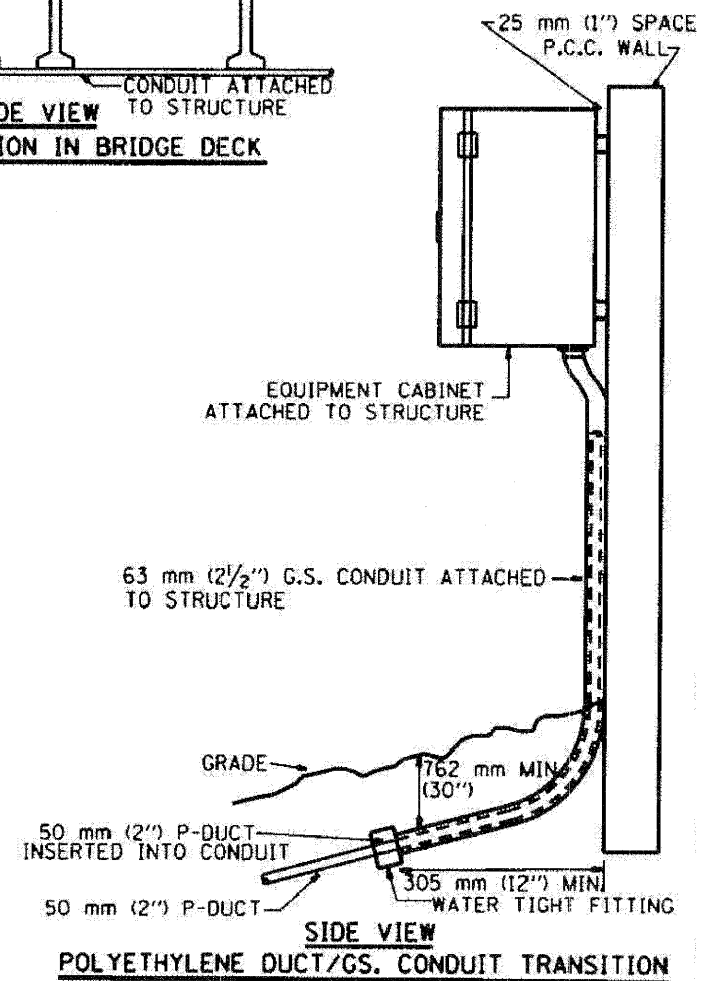
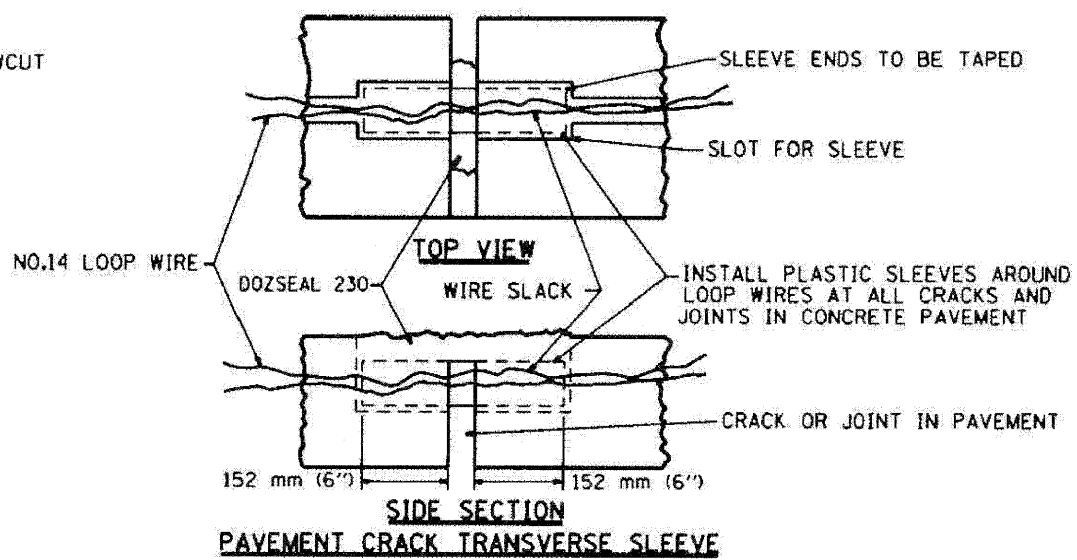
LOOP CROSS SECTION IN PAVEMENT



MULTIPLE LOOP SPLICING



SIDE SECTION LOOP LEAD-IN TRANSITION DETAIL



REVISION	DATE
R.L.	5/98
R.L.	5/98
T.E.	11/98
R.L.	08/98
T.E.	10/98

ILLINOIS DEPARTMENT OF TRANSPORTATION
TRAFFIC SYSTEMS CENTER
**LOOP, CONDUIT & DUCT
INSTALLATION DETAILS**
SCALE: VERT. NONE
DATE: 6-22-94
DRAWN BY: C.M.
CHECKED BY: R.L.

TRAFFIC SYSTEMS CENTER (TY-1TSC-418*4)

FILE NAME = ...	DESIGNED - GHT	REVISED -
USER NAME = jmajewski	DRAWN - TMB	REVISED -
PLOT DATE = 11/13/2009	CHECKED - MPM	REVISED -
	DATE - 10/16/09	REVISED -

benesch

STATE OF ILLINOIS
DEPARTMENT OF TRANSPORTATION

TRAFFIC SYSTEMS CENTER
DETAIL SHEETS

SCALE: N.T.S. SHEET NO. 12 OF 14 SHEETS STA. TO STA.

F.A.I. RTE.	SECTION	COUNTY	TOTAL SHEETS	SHEET NO.
290	2009-0998R	COOK/DUPAGE	309	291
FED. ROAD DIST. NO.		ILLINOIS FED. AID PROJECT		