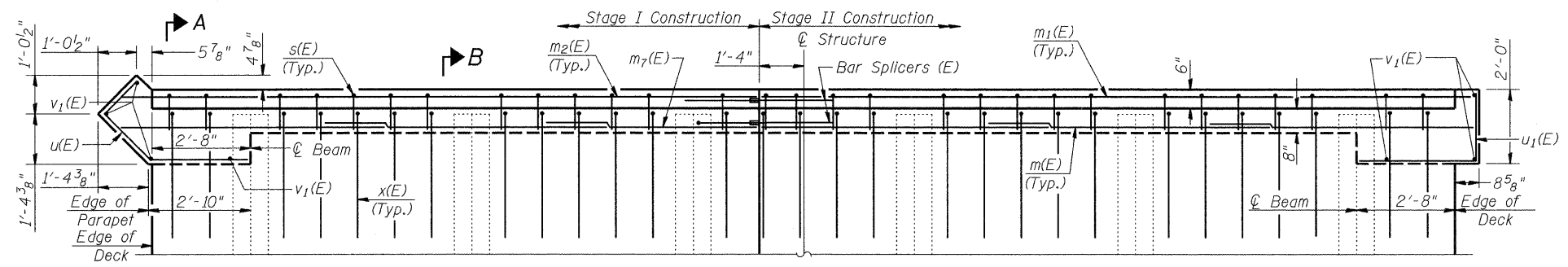


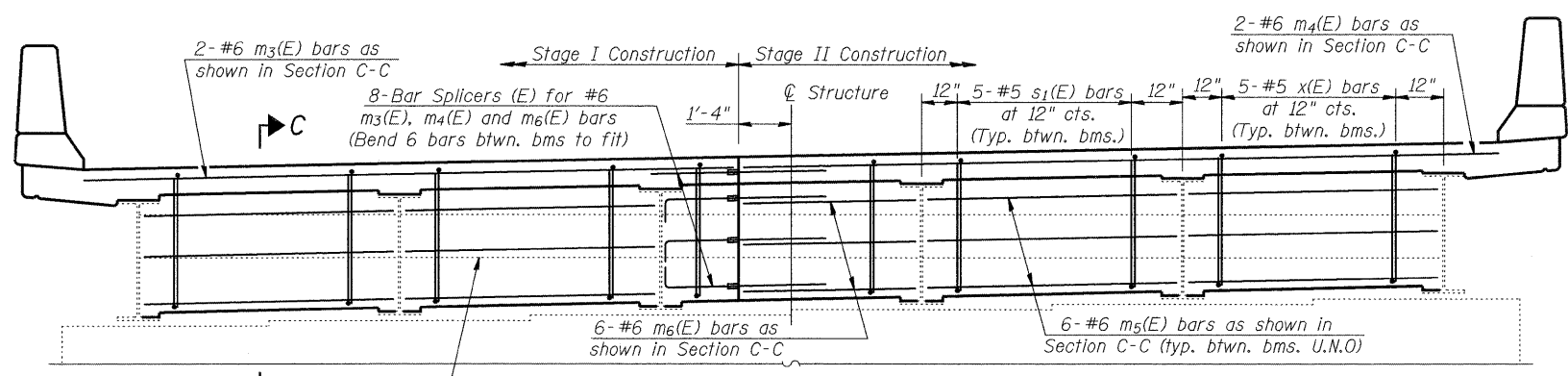
BACK WALL ELEVATION

North wall (W.B. Structure) shown, South wall (W.B. Structure) same, but mirrored.
North wall (E.B. Structure) & South wall (E.B. Structure) same, but opposite hand (4 Total)



BACK WALL PLAN

North wall (W.B. Structure) shown, South wall (W.B. Structure) same, but mirrored.
North wall (E.B. Structure) & South wall (E.B. Structure) same, but opposite hand (4 Total)



DIAPHRAGM AT PIER ELEVATION

South Diaphragms shown, looking North.
North Diaphragms same, but mirrored (4 Total)

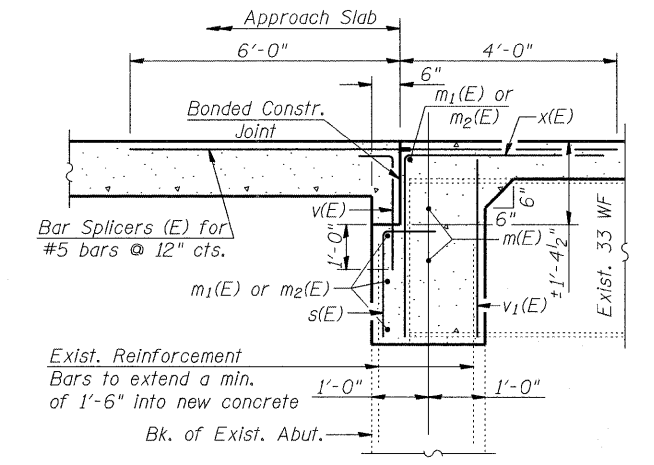
Exist. steel diaphragms to be cleaned according to General Note on sheet 2 of 17, then encased in the concrete diaphragm

NOTES

Reinforcement bars in diaphragm are billed with superstructure on sheet 8 of 17.
Concrete in diaphragm is included with Concrete Superstructure on sheet 8 of 17.
For details of bars see sheet 8 of 17.
U.N.O. = Unless Noted Otherwise
See Sheet 16 of 17 for Bar Splicer Details.

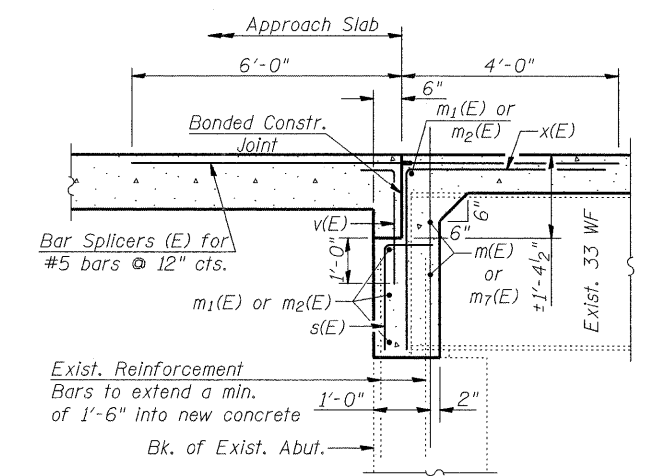
MIN. BAR LAP

#6 bar = 2'-9"



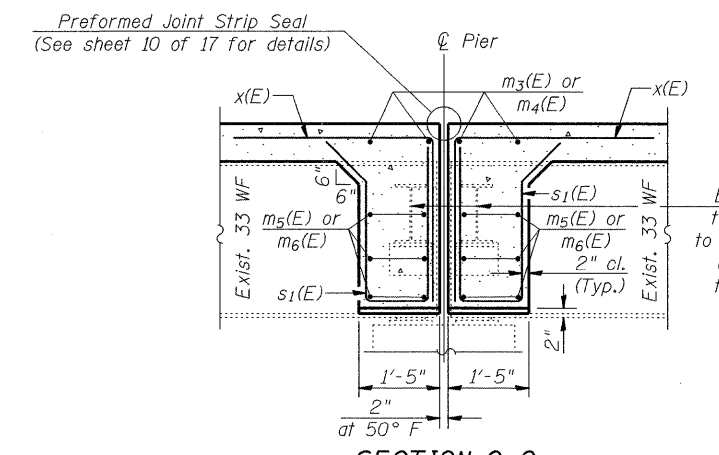
SECTION A-A
(Parapet not shown)

Exist. Reinforcement Bars to extend a min. of 1'-6" into new concrete of 1'-0" Bk. of Exist. Abut.



SECTION B-B

Exist. Reinforcement Bars to extend a min. of 1'-6" into new concrete of 1'-0" Bk. of Exist. Abut.



SECTION C-C

Exist. steel diaphragms to be cleaned according to General Note on sheet 2 of 17, then encased in the concrete diaphragm

rjngroup
Excellence through Ownership

200 West Front Street
Wheaton, IL 60187

DESIGNED: WJV
CHECKED: BLB
DATE: 04/02/09

DIAPHRAGM DETAILS
IL RTE. 56 OVER BLACKBERRY CREEK
STATION 202+10.00
STRUCTURE NO. 045-0026 (E.B.)
STRUCTURE NO. 045-0027 (W.B.)

SHEET NO. 9 17 SHEETS	F.A.P. RTE. 573	SECTION 61B-BR-1	COUNTY KANE	TOTAL SHEETS 37	SHEET NO. 21
	CONTRACT NO. 62817				
FED. ROAD DIST. NO. 1 ILLINOIS FED. AID PROJECT					

5/16/2009 11:18:23 AM V:\proj\plans\desk_plandgn