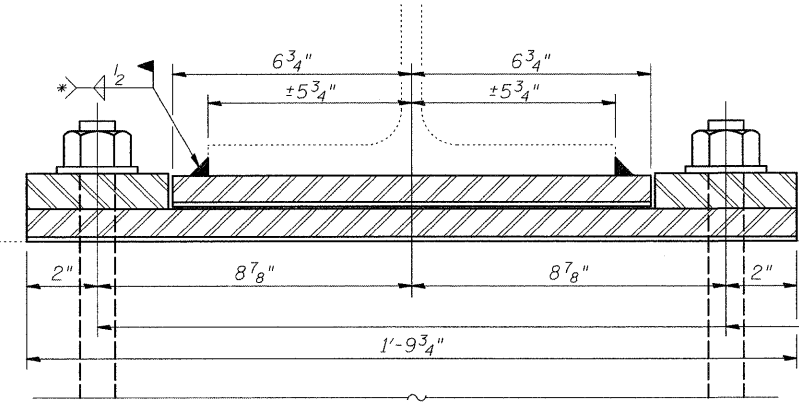
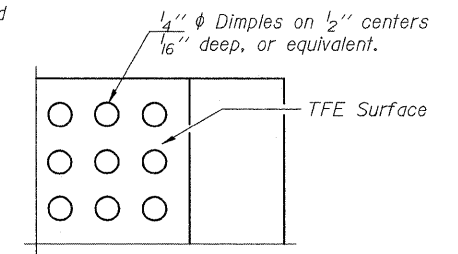


**ELEVATION AT PIER (EAST BOUND STRUCTURE)**  
(Side retainer not shown for clarity)

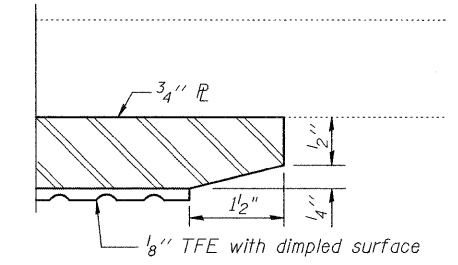


**SECTION A-A**

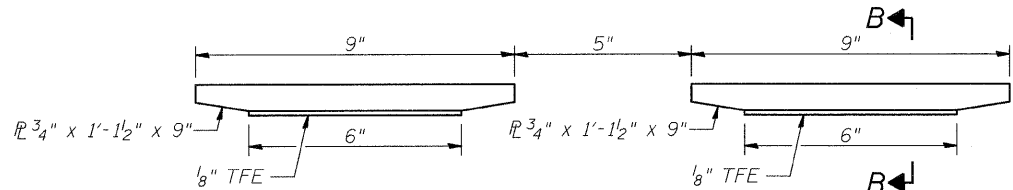
\* Field weld is included with the cost of Jack and Remove Existing Bearings.



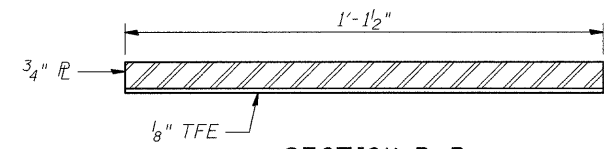
**PLAN-TFE SURFACE**



**SECTION THRU TFE**



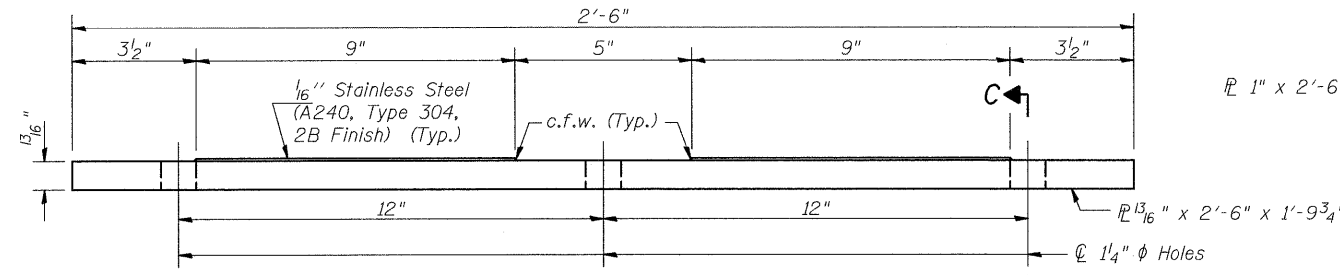
**ELEVATION**



**SECTION B-B**

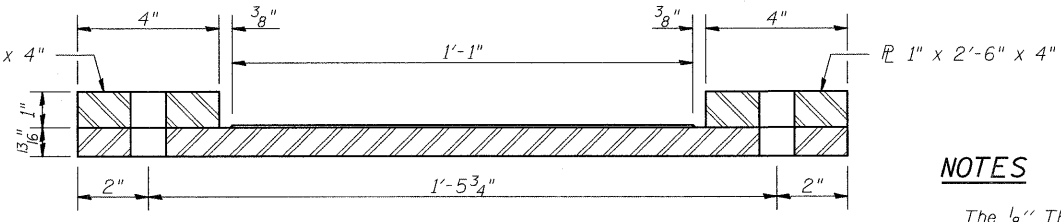
**SPECIAL STEEL BEARING**

**TOP BEARING ASSEMBLY**



**ELEVATION**

Side retainer plates not shown for clarity.



**SECTION C-C**

**BOTTOM BEARING ASSEMBLY**

**NOTES**

The 1/8" TFE sheet shall be bonded directly to the top steel plate with a two-component, medium viscosity epoxy resin, conforming to the requirements of the Federal Specification MMM-A-134, Type I. The bond agent shall be applied on the full area of the contact surfaces.

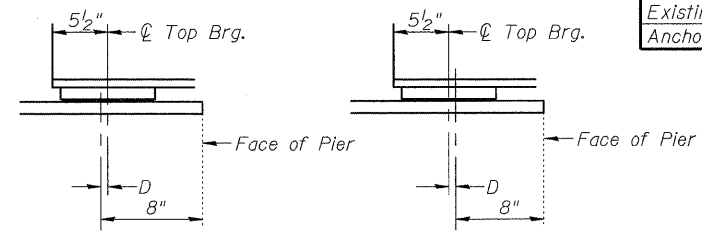
Bearing plates and side retainers shall be included in the weight of Furnishing and Erecting Structural Steel.

1/8" TFE and stainless steel plates will not be paid for separately, but shall be included in the unit bid price for Furnishing and Erecting Structural Steel.

See Sheet 12 of 17 for Jack and Remove Existing Bearings and notes.

**BILL OF MATERIAL**

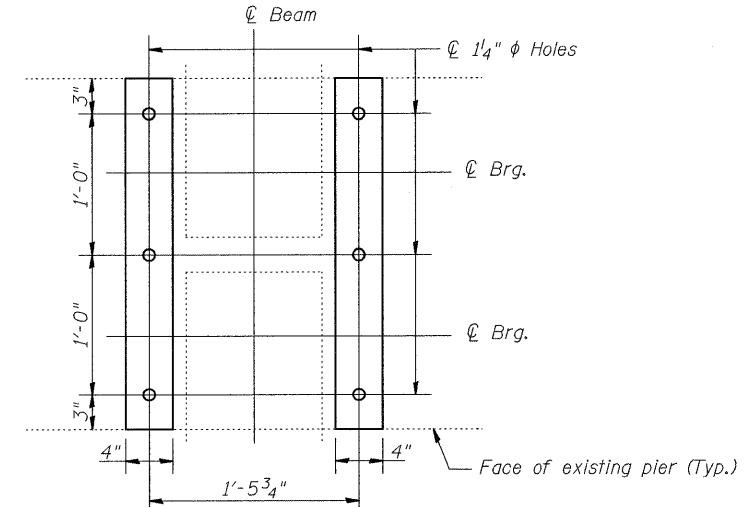
Item	Unit	Total
Furnishing and Erecting Structural Steel	Pound	1,610
Jack and Remove Existing Bearings	Each	12
Anchor Bolts, 1"	Each	36



BELOW 50°F. (Move bott. brg. away from fixed brg.)  
ABOVE 50°F. (Move bott. brg. toward fixed brg.)

**SETTING ANCHOR BOLTS AT EXP. BRG.**

D=1/8" per each 100' of expansion for every 15° temp. change from the normal temp. of 50°F.



**SIDE RETAINERS**

**rjngroup**  
Excellence through Ownership

200 West Front Street  
Wheaton, IL 60187

DESIGNED: WJV  
CHECKED: BLB  
DATE: 04/02/09

**BEARING DETAILS - EAST BOUND PIER**  
IL RTE. 56 OVER BLACKBERRY CREEK  
STATION 202+10.00  
STRUCTURE NO. 045-0026 (E.B.)  
STRUCTURE NO. 045-0027 (W.B.)

SHEET NO. 13	F.A.P. RTE.	SECTION	COUNTY	TOTAL SHEETS	SHEET NO.
17 SHEETS	573	61B-BR-1	KANE	37	25
CONTRACT NO. 62817					
FED. ROAD DIST. NO. 7 ILLINOIS FED. AID PROJECT					