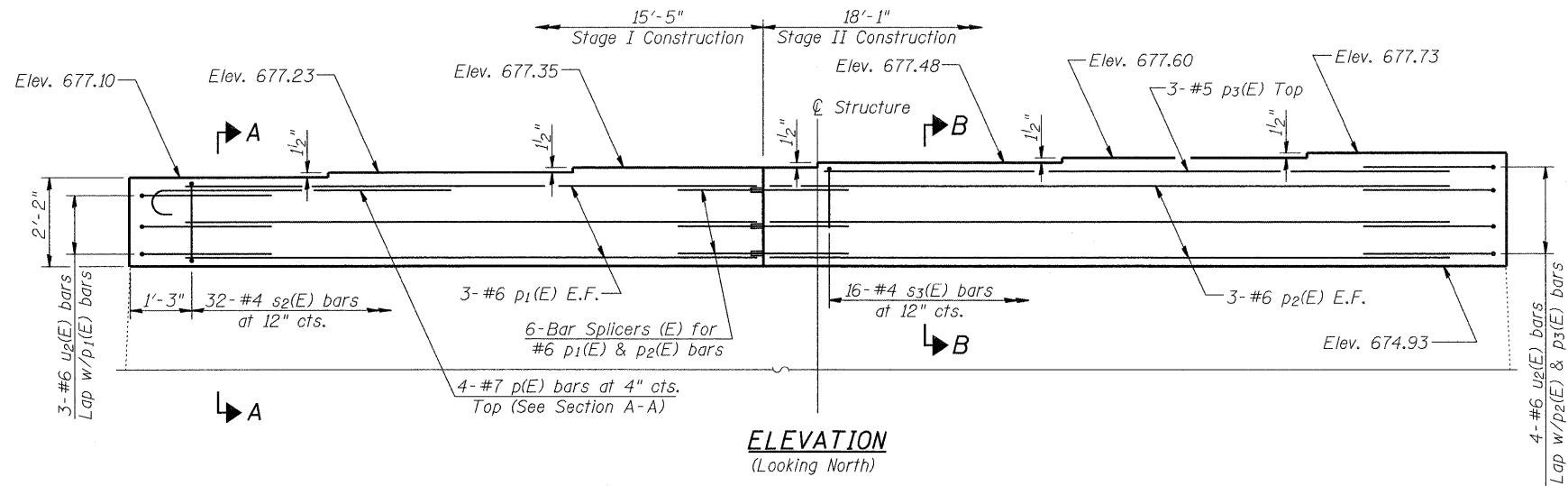
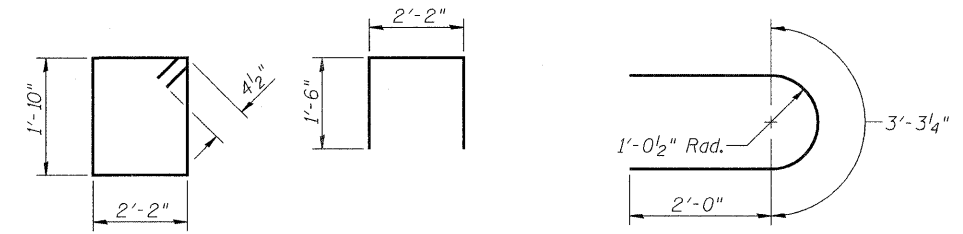
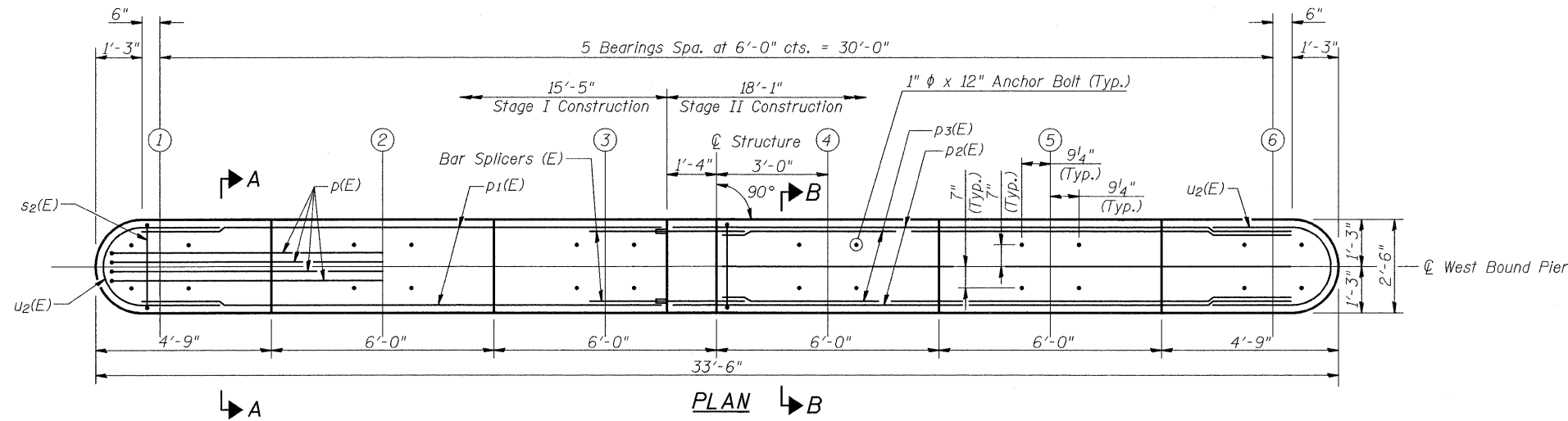


F.A.P.	SECTION	COUNTY	TOTAL SHEETS	SHEET NO.
573	61B-BR-1	KANE	37	26
FED. ROAD DIST. NO. 7	ILLINOIS	FED. AID PROJECT-		

Contract No.: 62817



BILL OF MATERIAL

Bar	No.	Size	Length	Shape
p(E)	4	#7	8'-1"	C
p1(E)	6	#6	14'-0"	—
p2(E)	6	#6	16'-8"	—
p3(E)	3	#5	15'-4"	—
s2(E)	32	#4	8'-9"	□
s3(E)	16	#4	5'-2"	□
u2(E)	7	#6	7'-3"	U
Concrete Structures		Cu. Yd.	7.6	
Reinforcement Bars, Epoxy Coated		Pound	710	
Concrete Sealer		Sq. Ft.	83	
Bar Splicers		Each	6	

MIN. BAR LAP

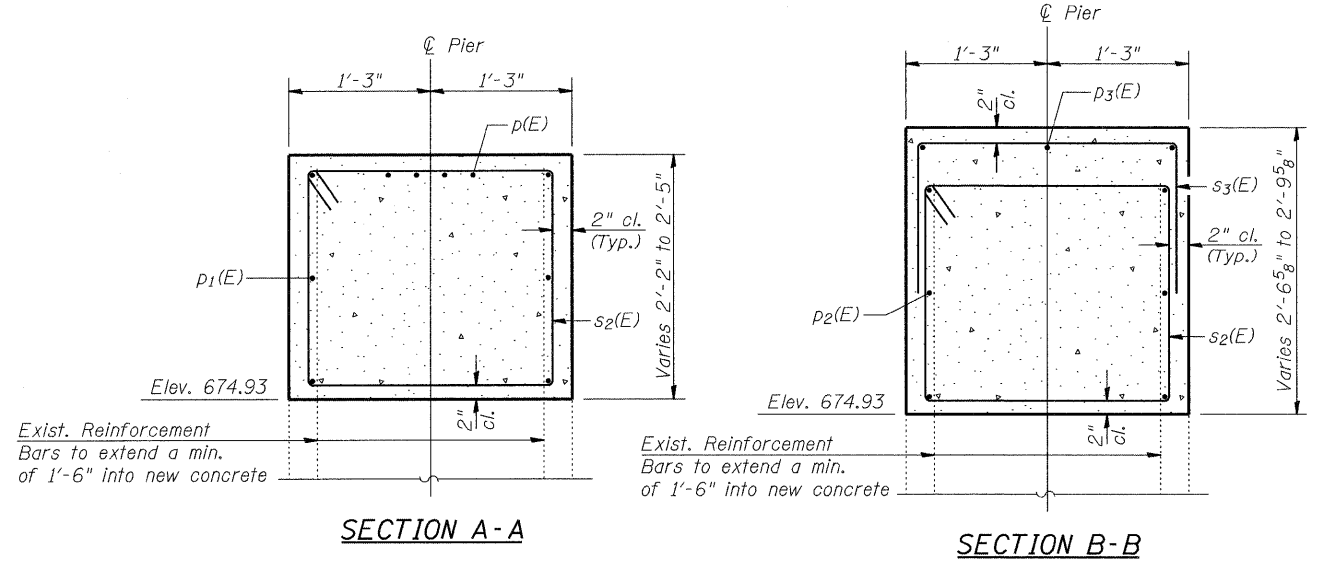
#6 bar = 2'-0"

LEGEND

E.F. = Each Face
 cts. = centers
 Elev. = Elevation
 cl. = clear

NOTES

For Anchor Bolt and Bearing Details See Sheet 12 and 13 of 17.
 All edges have standard 3/4" chamfers.
 Space Reinforcement in cap to miss Anchor Bolts.
 Pour steps monolithically with cap.



rjngroup
 Excellence through Ownership

200 West Front Street
 Wheaton, IL 60187

DESIGNED: WJV
 CHECKED: BLB
 DATE: 04/02/09

PIER DETAILS (WEST BOUND STRUCTURE)
 IL RTE. 56 OVER BLACKBERRY CREEK
 STATION 202+10.00
 STRUCTURE NO. 045-0026 (E.B.)
 STRUCTURE NO. 045-0027 (W.B.)

SHEET NO. 14	F.A.P. RTE. 573	SECTION 61B-BR-1	COUNTY KANE	TOTAL SHEETS 37	SHEET NO. 26
17 SHEETS	CONTRACT NO. 62817				
FED. ROAD DIST. NO. 7 ILLINOIS FED. AID PROJECT					

K:\118252\Encl. Plans\pier.dgn 6/3/2009 Default