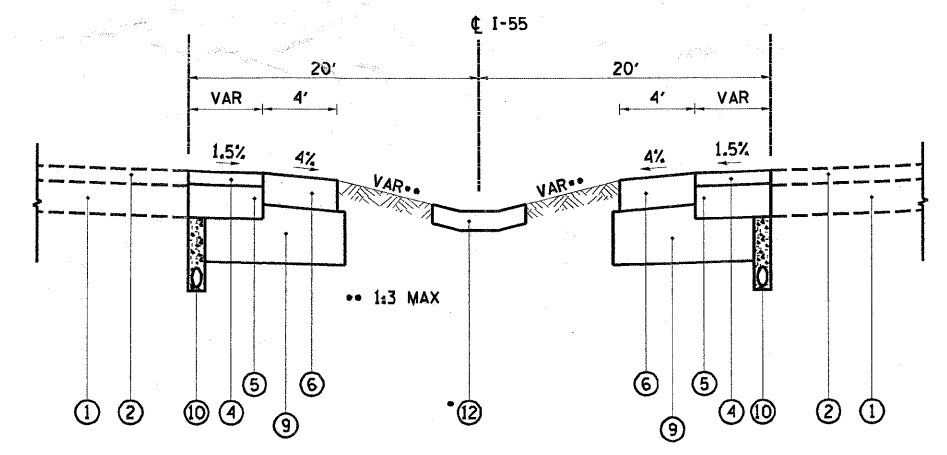


TYPICAL SECTION - ALTERNATE A
 STA 35+97.64 TO 40+63.34
 STA 78+93.80 TO 84+65.56



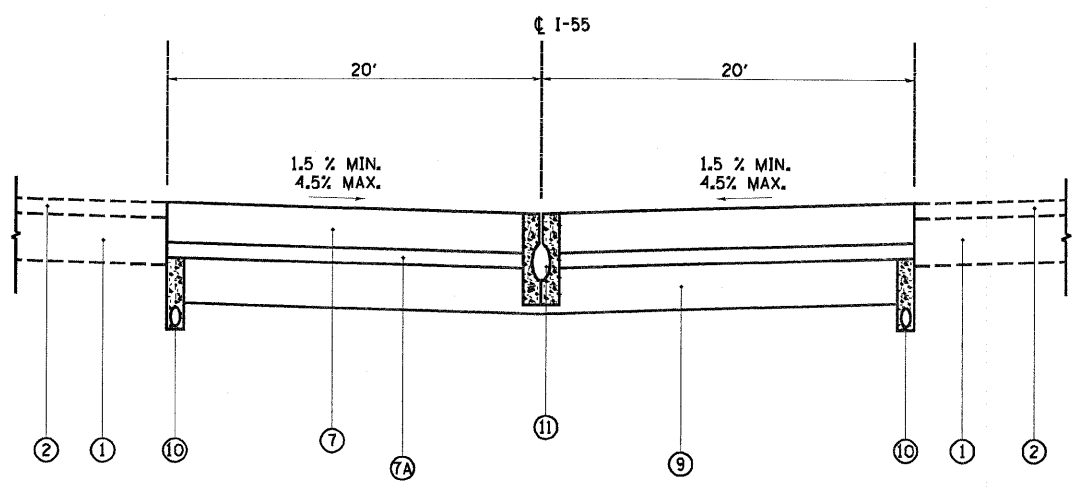
TYPICAL SECTION - ALTERNATE A
 STA 33+50.00 TO 35+97.84
 STA 40+63.34 TO 42+50.00
 STA 76+50.00 TO 78+93.80
 STA 84+65.56 TO 87+50.00

* SEE PLAN AND PROFILE FOR LOCATION OF STORM SEWER AND PAVED DITCH

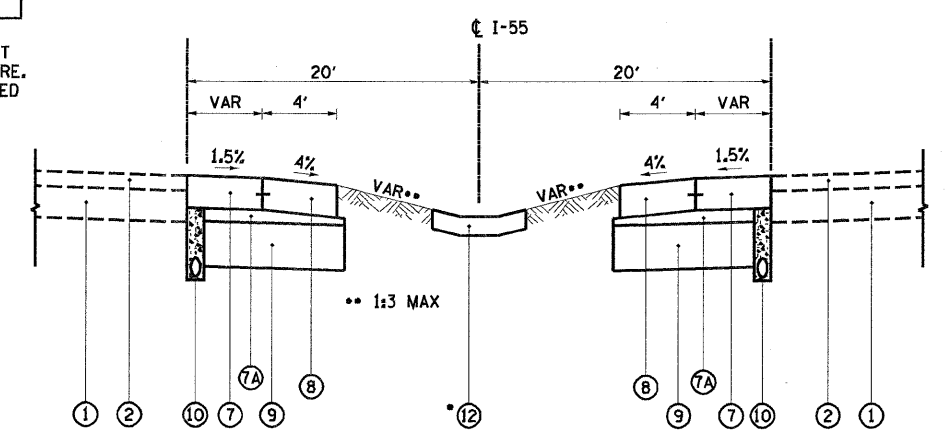
**ALTERNATE A
 HMA CROSSOVERS**

CONTRACTOR SHALL BID ACCORDING TO EITHER ALTERNATE A OR ALTERNATE B. PAVEMENT MATERIAL IN EITHER ALTERNATE WILL BE MEASURED AND PAID FOR PER SQUARE YARD AS TEMPORARY PAVEMENT (INTERSTATE). SEE SPECIAL PROVISIONS.

CROSS-SECTIONS (SHEETS 57-64) MAY NOT MATCH THE TYPICAL SECTIONS SHOWN HERE. PLAN QUANTITIES WERE CALCULATED BASED ON TYPICAL SECTIONS SHOWN HERE.



TYPICAL SECTION - ALTERNATE B
 STA 35+97.64 TO 40+63.34
 STA 78+93.80 TO 84+65.56

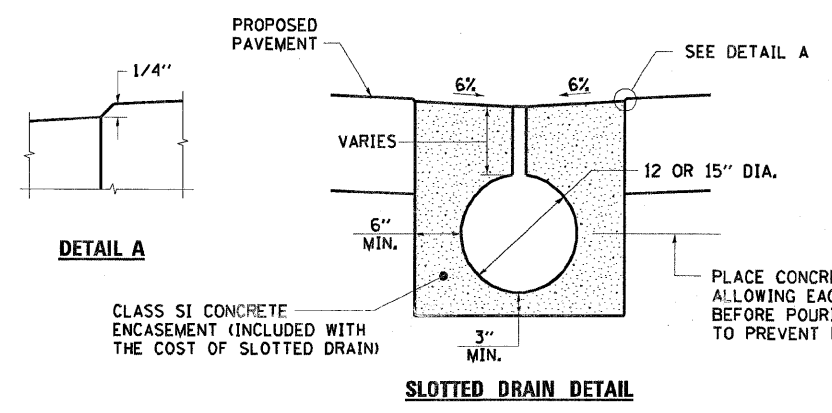


TYPICAL SECTION - ALTERNATE B
 STA 33+50.00 TO 35+97.84
 STA 40+63.34 TO 42+50.00
 STA 76+50.00 TO 78+93.80
 STA 84+65.56 TO 87+50.00

**ALTERNATE B
 PCC CROSSOVERS**

- LEGEND**
- ① EXISTING PCC PAVEMENT, 10"
 - ② EXISTING BITUMINOUS CONCRETE SURFACE, VARIES
 - ③ EXISTING BITUMINOUS SHOULDER, 10"
 - ④ PROPOSED HOT-MIX ASPHALT SURFACE COURSE, MIX "D", N70, 2"
 - ⑤ PROPOSED HOT-MIX ASPHALT BINDER COURSE, 13"
 - ⑥ PROPOSED HOT-MIX ASPHALT SHOULDER, 10"
 - ⑦ PROPOSED JPCC PAVEMENT, 10"
 - ⑦A PROPOSED STABILIZED SUBBASE, 4 1/2"
 - ⑧ PROPOSED PCC SHOULDER, 10" (HINGED)
 - ⑨ PROPOSED AGGREGATE SUBGRADE, 12"
 - ⑩ PIPE UNDERDRAINS, 4"
(PERFORATED PVC PIPE BACKFILLED WITH FA-1 OR FA-2)
 - ⑪ SLOTTED DRAIN
 - ⑫ PAVED DITCH TYPE A-15

NOTE
 CROSSOVERS IN ALTERNATE B SHALL BE ACCORDING TO STD. 403001, WITH SUBBASE CHANGE IN MATERIAL TYPE SUBSTITUTED FOR TYPE B. ALL CONCRETE PAVEMENT SHALL BE CLASS 11.



rjngroup
 Excellence through Ownership
 200 West Front Street
 Wheaton, IL 60187

DESIGNED - KSD	REVISED -
DRAWN - KSD	REVISED -
CHECKED - CMJ	REVISED -
DATE - 03-04-09	REVISED -

**STATE OF ILLINOIS
 DEPARTMENT OF TRANSPORTATION**

**I-55 OVER THE KANKAKEE RIVER
 CROSSOVER TYPICAL SECTIONS**
 SCALE: NTS SHEET NO. 2 OF 2 SHEETS STA. --- TO STA. ---

F.A.I. RTE.	SECTION	COUNTY	TOTAL SHEETS	SHEET NO.
55	88 (B&B-1) BR	WILL	72	6
CONTRACT NO. 62930				
FED. ROAD DIST. NO. 1 ILLINOIS FED. AID PROJECT				