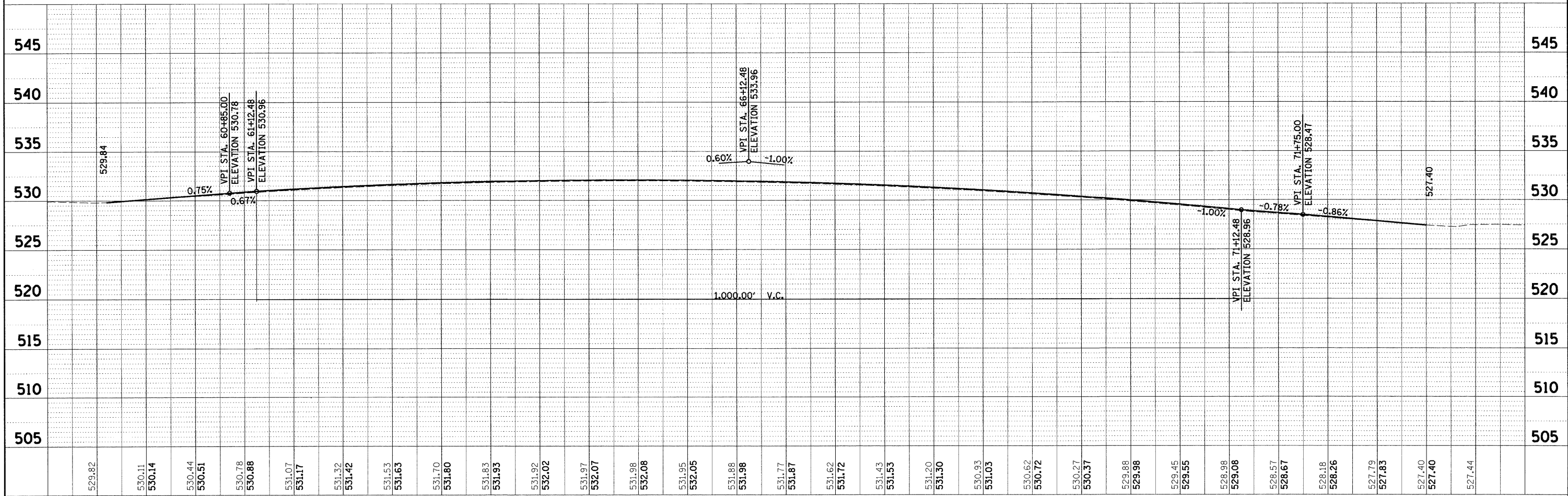
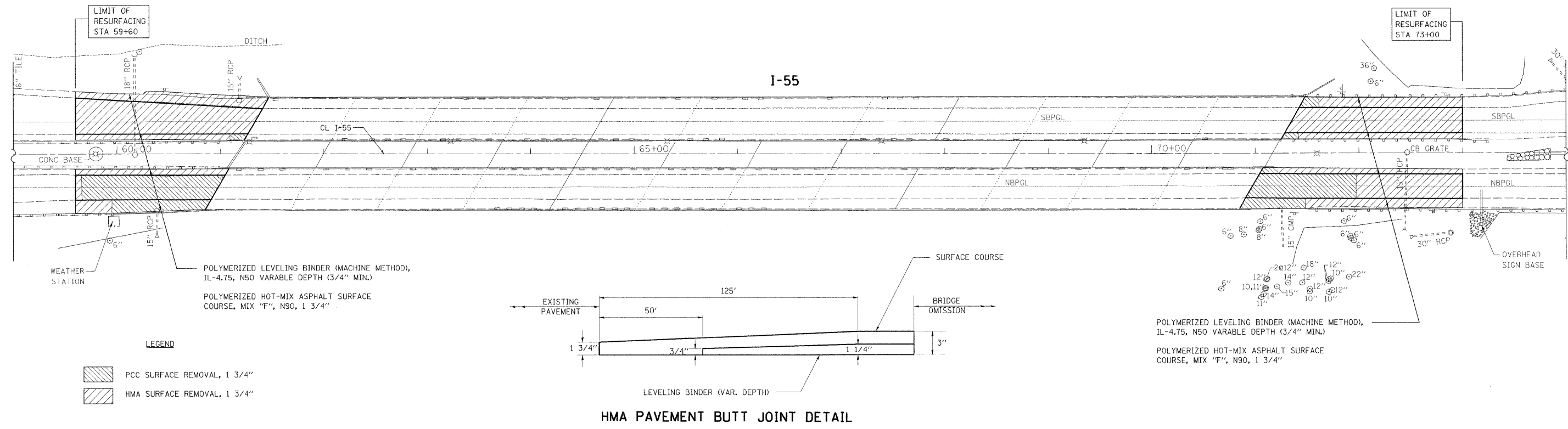




PLAN	SURVEYED	BY	DATE
	ALIGNED		
	NOTED		
	NO. OF WAY CHECKED		
	NO. OF FILE NAME		

PROFILE	SURVEYED	BY	DATE
	GRADES CHECKED		
	BLK. NOTED		
	STRUCTURE NOTATIONS OK'D		



200 West Front Street  
Wheaton, IL 60187

DESIGNED	-	REVISED	-
DRAWN	-	REVISED	-
CHECKED	-	REVISED	-
DATE	-	REVISED	-

STATE OF ILLINOIS  
DEPARTMENT OF TRANSPORTATION

I-55 OVER THE KANKAKEE RIVER  
BRIDGE PLAN & PROFILE

SCALE: 1" = 50' SHEET NO. X OF 5 SHEETS STA. 59+00.00 TO STA. 74+00.00

F.A.I. RTE.	SECTION	COUNTY	TOTAL SHEETS	SHEET NO.
55	BB (B&B-1) BR	WILL	72	21
CONTRACT NO. 62930				
FED. ROAD DIST. NO. [ILLINOIS] FED. AID PROJECT				