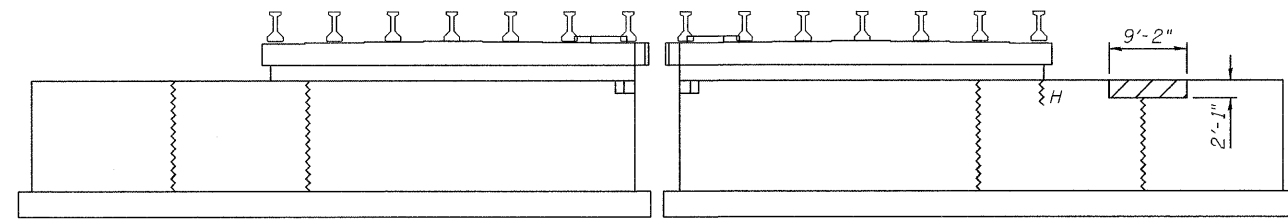


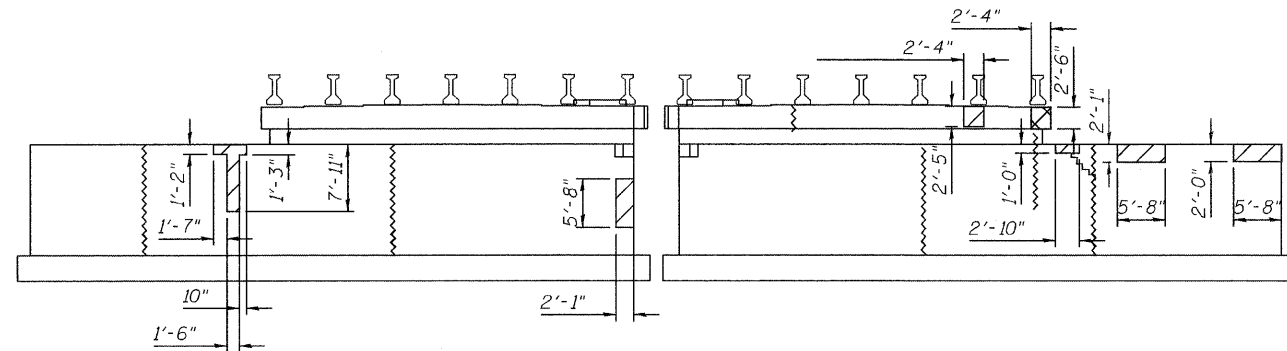
PIER 6
ELEVATION, SOUTH FACE
(LOOKING NORTH)

PIER 6
ELEVATION, NORTH FACE
(LOOKING SOUTH)



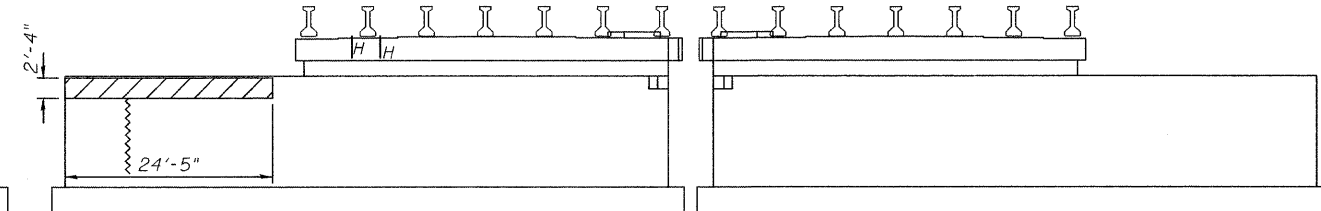
PIER 7
ELEVATION, SOUTH FACE
(LOOKING NORTH)

PIER 7
ELEVATION, NORTH FACE
(LOOKING SOUTH)



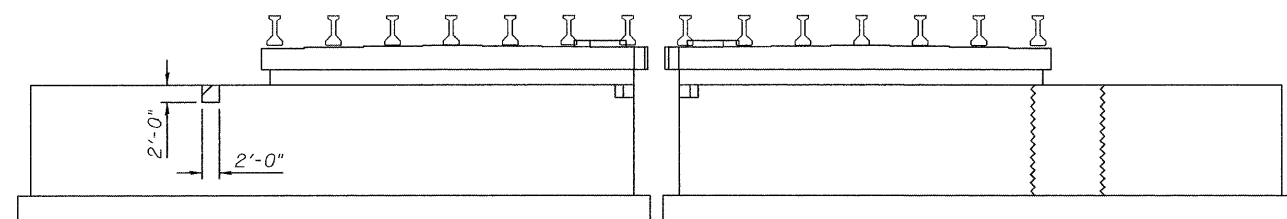
PIER 8
ELEVATION, SOUTH FACE
(LOOKING NORTH)

PIER 8
ELEVATION, NORTH FACE
(LOOKING SOUTH)



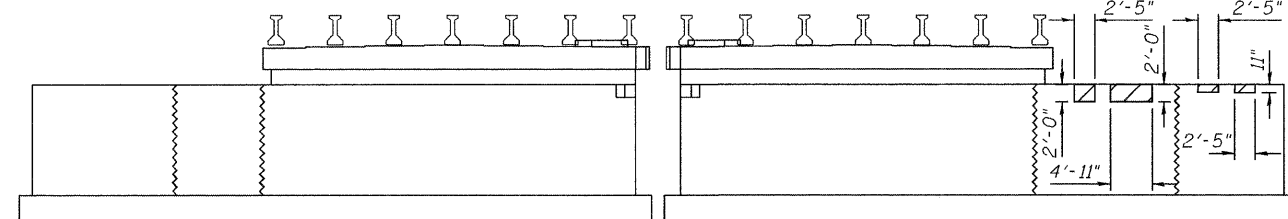
PIER 9
ELEVATION, SOUTH FACE
(LOOKING NORTH)

PIER 9
ELEVATION, NORTH FACE
(LOOKING SOUTH)



PIER 10
ELEVATION, SOUTH FACE
(LOOKING NORTH)

PIER 10
ELEVATION, NORTH FACE
(LOOKING SOUTH)



PIER 11
ELEVATION, SOUTH FACE
(LOOKING NORTH)

PIER 11
ELEVATION, NORTH FACE
(LOOKING SOUTH)

- LEGEND**
- Epoxy Crack Injection
 - Structural Repair of Concrete (Depth Equal to or Less Than 5")
 - Structural Repair of Concrete (Depth greater Than 5")

BILL OF MATERIAL

Item	Unit	Total
Epoxy Crack Injection	Foot	627
Structural Repair of Concrete (Depth Equal to or Less Than 5")	Sq Ft	531
Structural Repair of Concrete (Depth Greater Than 5")	Sq Ft	17

ILLINOIS DEPARTMENT OF TRANSPORTATION

SHEET TITLE
PIER REPAIR DETAILS

PROJECT	PROJECT NO.
I-55 NB OVER KANKAKEE RIVER	03095-16
FAI ROUTE 55, SECTION 88(B&B-1)BR	SCALE
WILL COUNTY	06/25/09
SN 099-0001	DRAWN BY CFC
	CHECKED BY MCB/KPS
	DRAWING NO.
COOMBE-BLOXDORF P.C.	18
Engineers / Land Surveyors	OF 19 SHTS
Springfield, Illinois	
Design Firm License No. 184-002703	

PLOT DATE : 6/25/09
 FILE NAME : I:\99-0001\88(B&B-1)BR\epc-081.dgn
 PLOT SCALE : 1/8" = 1'-0"
 USER NAME : JML