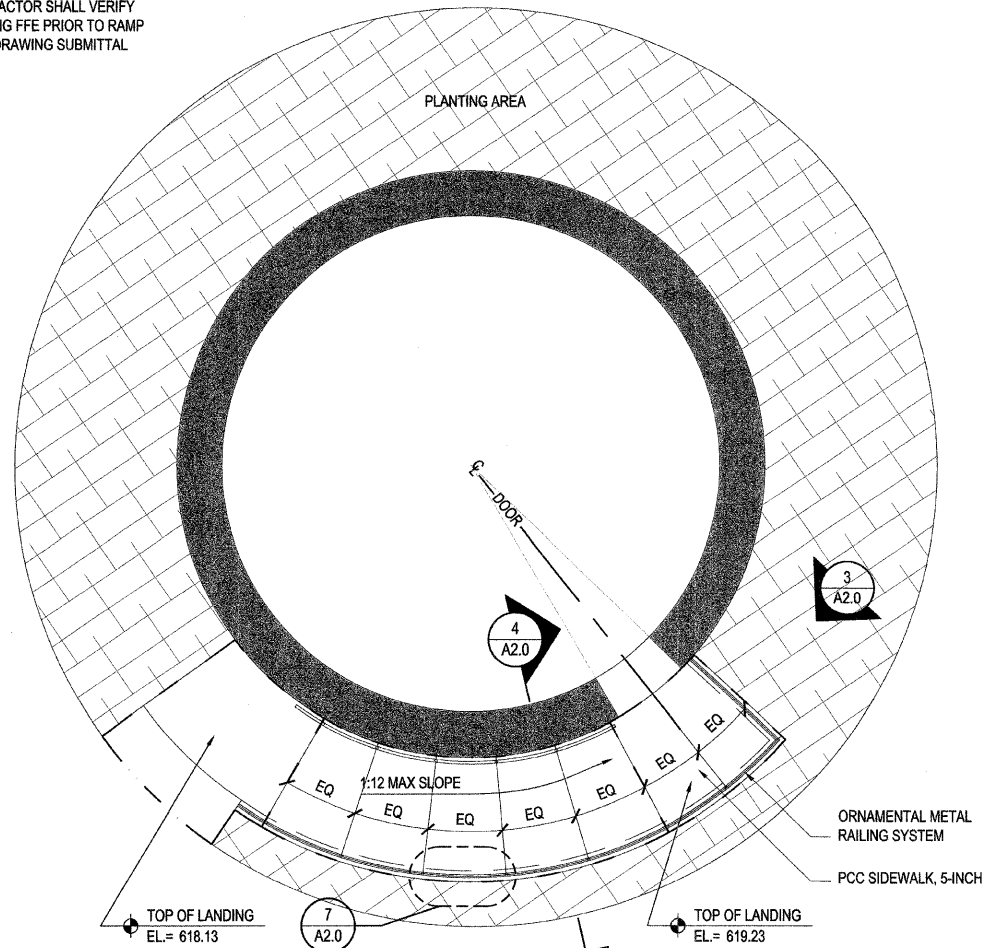


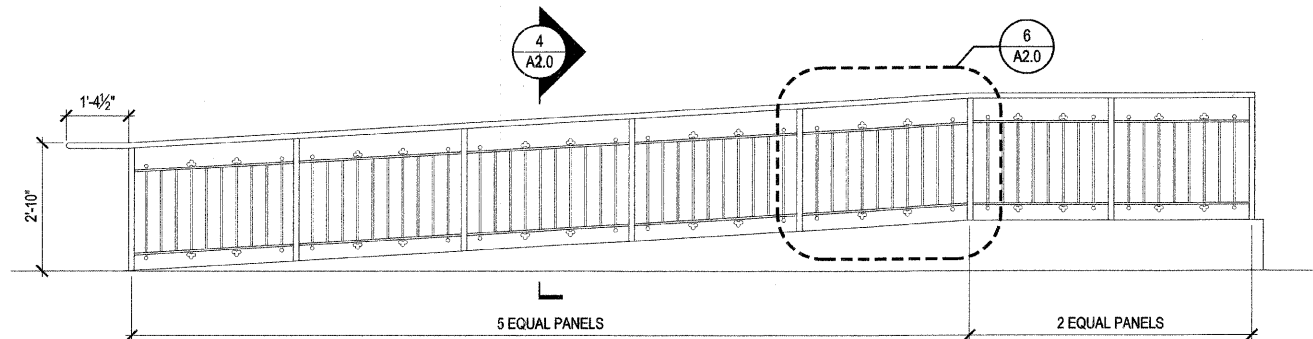
NOTE:
CONTRACTOR SHALL VERIFY
BUILDING FFE PRIOR TO RAMP
SHOP DRAWING SUBMITTAL

FAU RTE. 4728 3569	SECTION 06-00073-00-LS	COUNTY COOK	TOTAL SHEETS 24	SHEET NO. 22
STA.		TO STA.		
FED. ROAD DIST. NO.	ILLINOIS	FED. AID PROJECT		
CONTRACT NO. 63133				

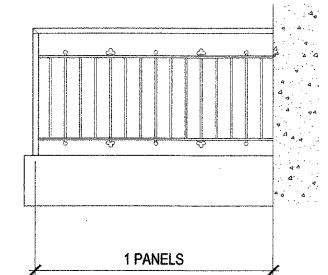
A-2.0



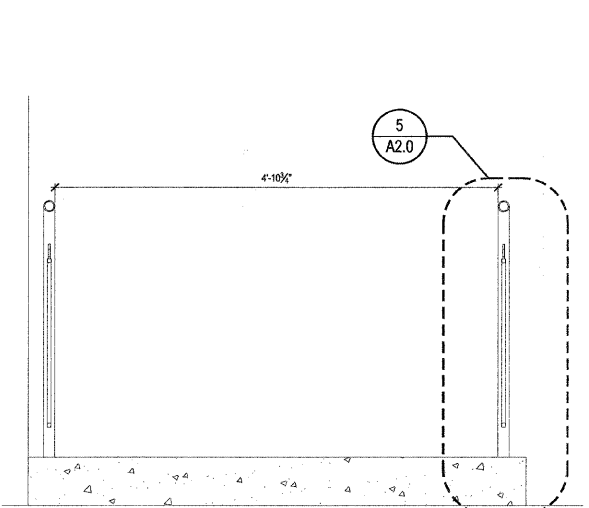
1 RAMP PLAN
SCALE: 1/4" = 1'-0"



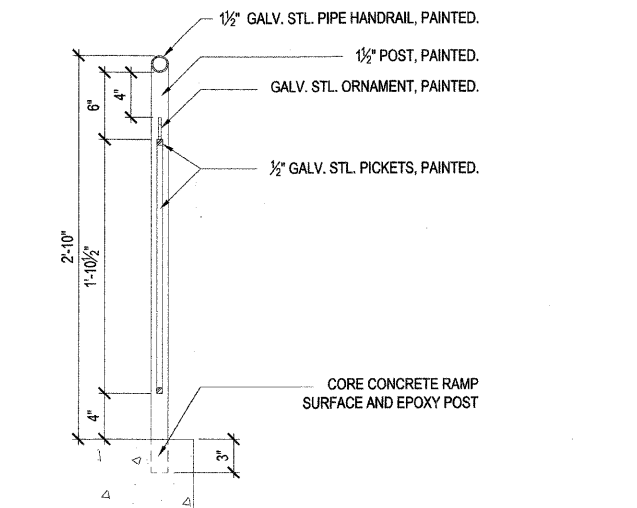
2 DEVELOPED RAMP ELEVATION
SCALE: 1/2" = 1'-0"



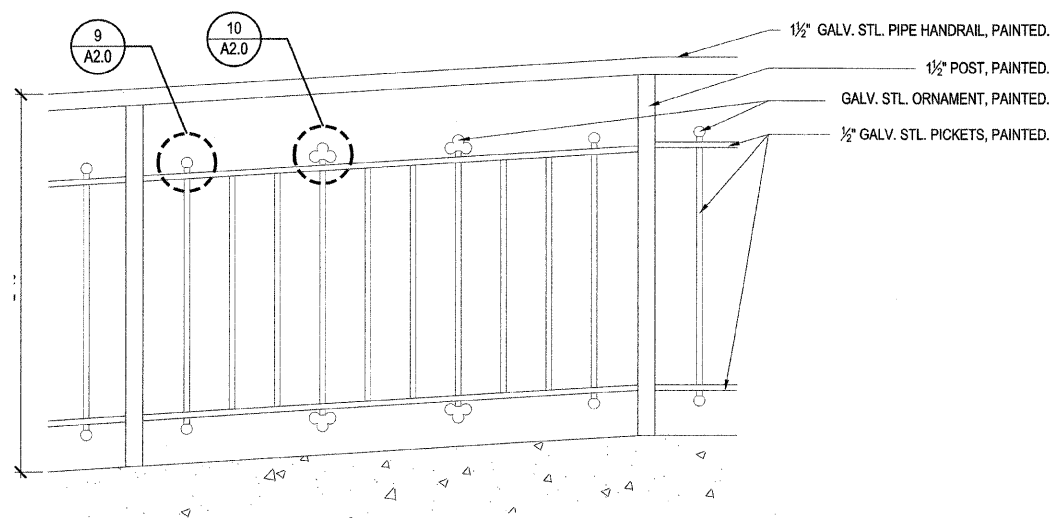
3 DEVELOPED RAMP ELEVATION
SCALE: 1/2" = 1'-0"



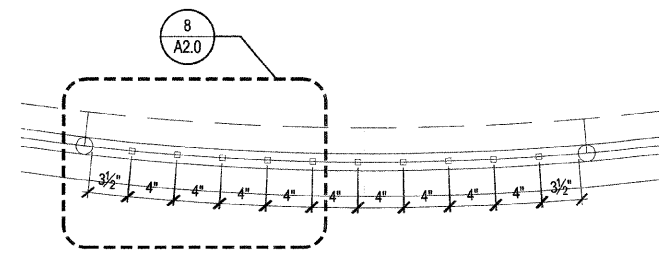
4 RAMP SECTION
SCALE: 1" = 1'-0"



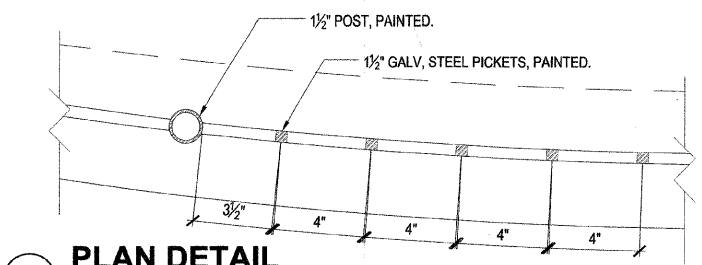
5 RAMP DETAIL
SCALE: 1-1/2" = 1'-0"



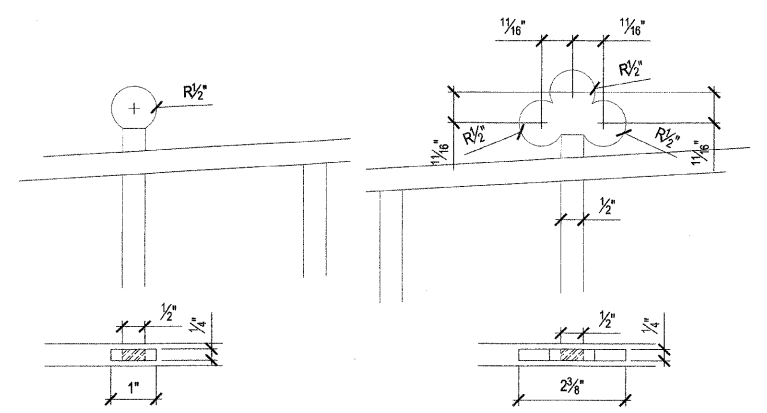
6 ENLARGED ELEVATION
SCALE: 1-1/2" = 1'-0"



7 ENLARGED PLAN
SCALE: 1-1/2" = 1'-0"



8 PLAN DETAIL
SCALE: 3" = 1'-0"



9 CIRCLE ORNAMENT
SCALE: 6" = 1'-0"

10 CLOVER ORNAMENT
SCALE: 6" = 1'-0"

DLK
Civic Design
The Fine Arts Building
410 South Michigan Avenue
Chicago, Illinois 60605
Tel. 312.322.0911
Fax 312.322.5324
www.dlkinc.com

REVISIONS	
NAME	DATE

ILLINOIS DEPARTMENT OF TRANSPORTATION
FAU ROUTES 1472 & 3569
VILLAGE OF RIVERSIDE
RAILWAY/WATER TOWER CAMPUS RESTORATION PROJECT

ARCHITECTURAL RAMP DRAWINGS

SCALE: VARIES
DATE: 12-05-2008

DRAWN BY: EB
CHECKED BY: JE