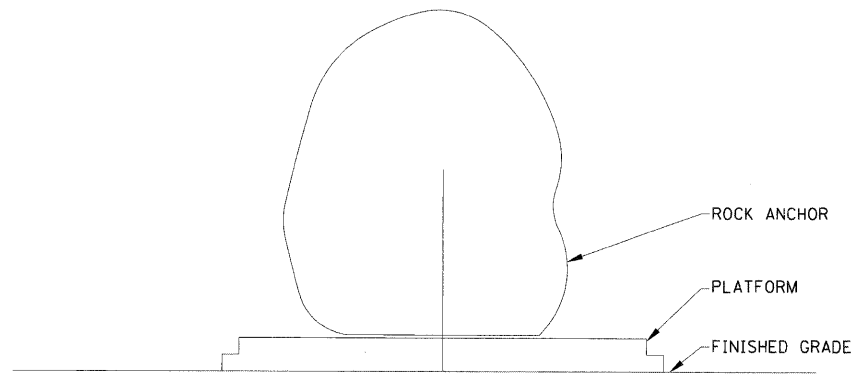


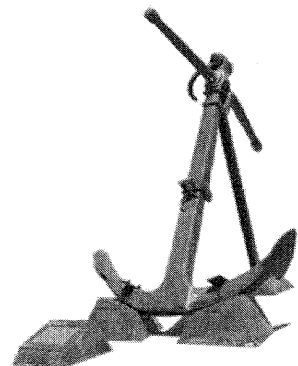
EXAMPLE IMAGE FOR REFERENCE ONLY



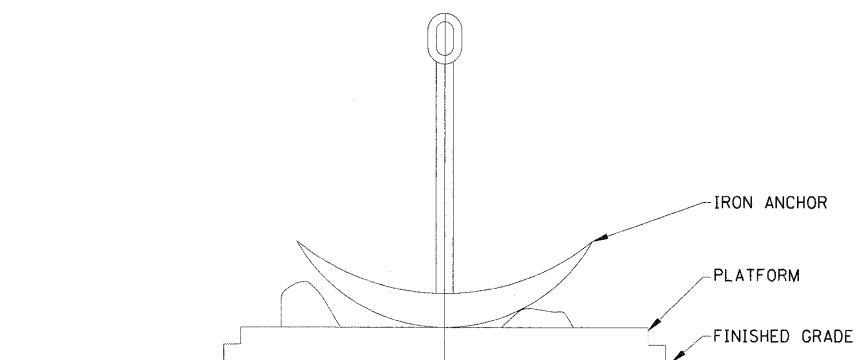
ELEVATION

**DECORATIVE GATEWAY ELEMENT - ROCK ANCHOR  
DETAIL**

NOTE:  
SECURING THE IRON & ROCK ANCHORS TO THE PLATFORMS SHALL BE DETERMINED IN THE FIELD AFTER THE SELECTION OF THE ANCHORS HAS BEEN MADE BY THE OWNER. THE WORK & MATERIALS SHALL BE INCLUDED IN THE ALLOWANCE ESTABLISHED IN THE BID PROPOSAL FOR THE PURCHASE, DELIVERY & PLACEMENT OF EACH ANCHOR.

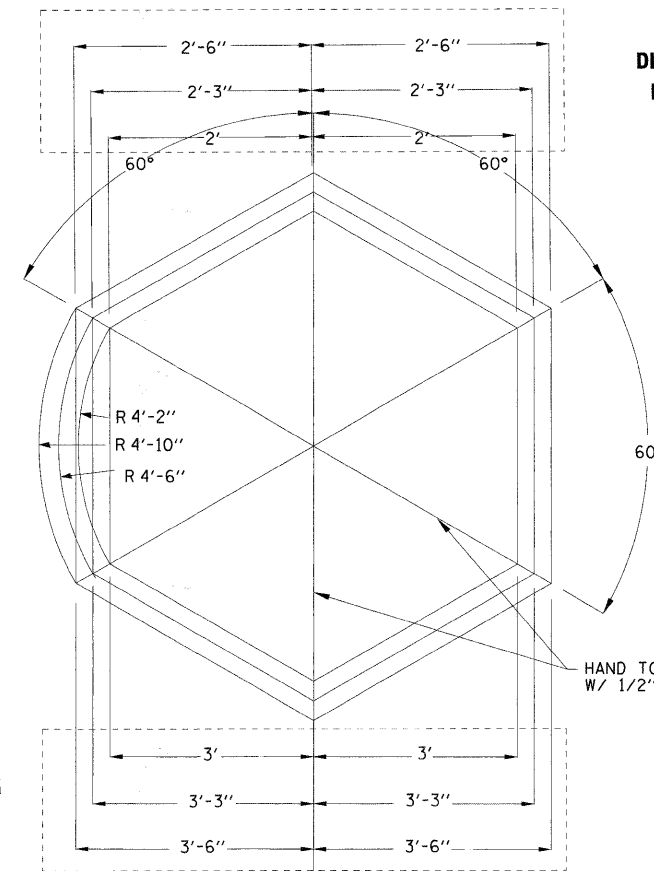


EXAMPLE IMAGE FOR REFERENCE ONLY



IRON ANCHOR - ELEVATION

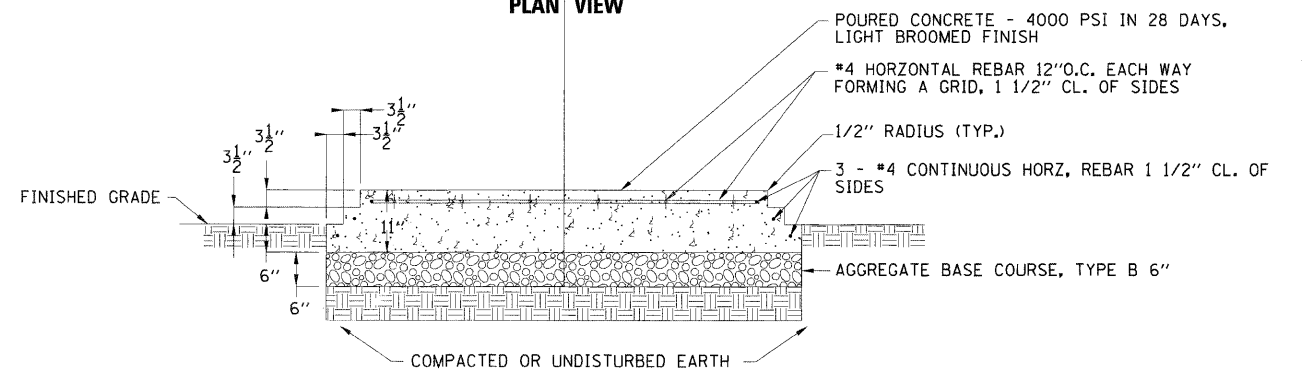
**DECORATIVE GATEWAY ELEMENT - IRON ANCHOR  
DETAIL**



DIMENSIONS FOR  
ROCK ANCHOR

DIMENSIONS FOR  
IRON ANCHOR

PLAN VIEW



**SECTION  
PORTLAND CEMENT CONCRETE PLATFORM (SPECIAL)  
DETAIL**

COPYRIGHT © 2009 BY BAXTER & WOODMAN, INC.  
 STATE OF ILLINOIS - PROFESSIONAL DESIGN FIRM  
 LICENSE NO. - 068-00021 - EXPIRES 4/30/2011  
 BAXTER & WOODMAN, INC. 40101 PM  
 I:\winthrop\060807\lnds\shdets\060807-lands-det-1.sht



DESIGNED - MWP	REVISED - IDOT REVIEW 2/19/09
DRAWN - CJC	REVISED - IDOT REVIEW 4/22/09
CHECKED - MDW	REVISED -
DATE - 8-1-08	FILE - 060807-lands-det-1.sht

**VILLAGE OF WINTHROP HARBOR, ILLINOIS  
ILLINOIS ROUTE 137 (SHERIDAN ROAD) AND 7th STREET  
STREETSCAPE IMPROVEMENTS**

**LANDSCAPING DETAILS**

SCALE: NONE

STA. TO STA.

* F.A.P. 352 ILLINOIS ROUTE 137 (SHERIDAN ROAD)				
F.A.P. RTE.	SECTION	COUNTY	TOTAL SHEETS	SHEET NO.
06-00036-00-LS	LAKE	70	39	
FED. ROAD DIST. NO. 1		CONTRACT NO. 63167		
JOB NO. C-91-197-10	ILLINOIS FED. AID PROJECT ARA-0001(810)			