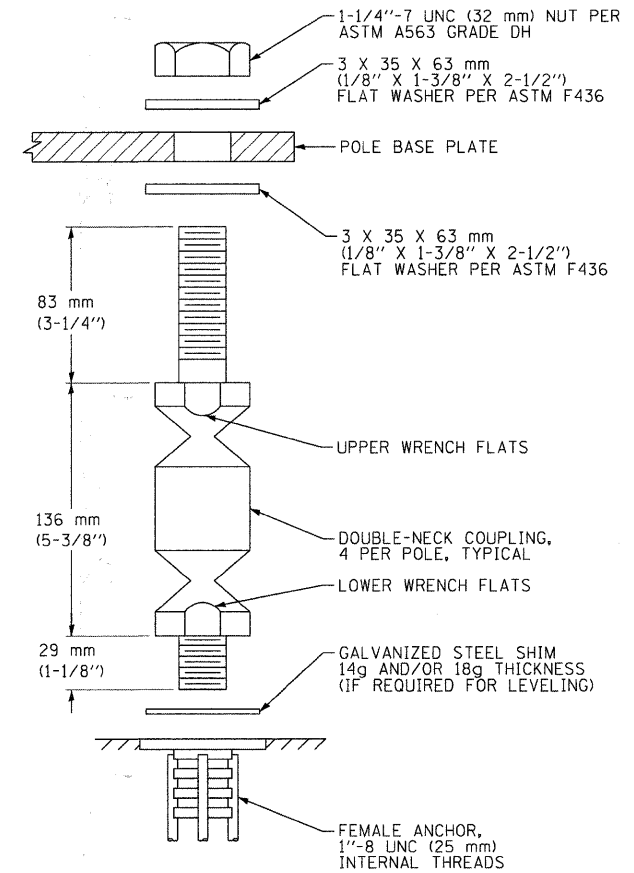


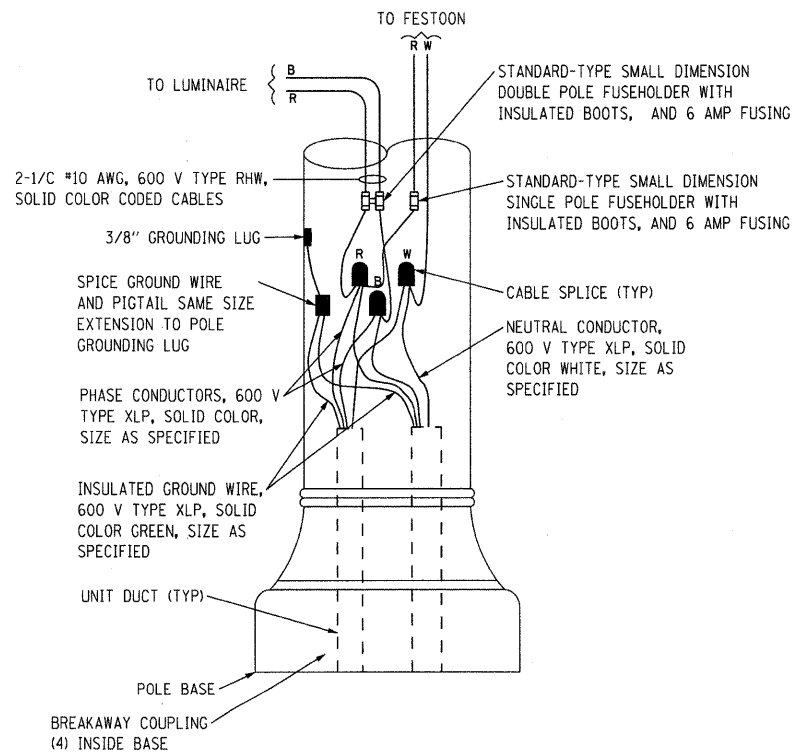
**TYPICAL WIRING IN TRENCH DETAIL**

NO SCALE



**BREAKAWAY DEVICE, COUPLING WITH ALUMINUM SKIRT**

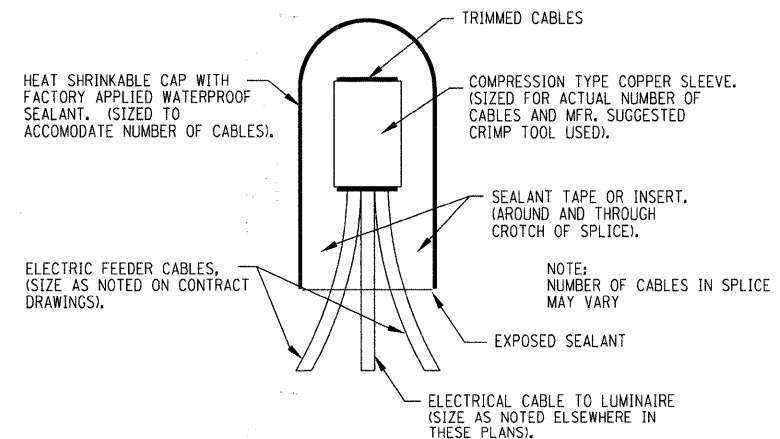
NO SCALE



**POLE WIRING DETAIL**

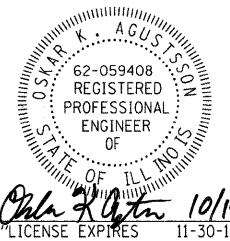
NO SCALE

NOTE: ALTERNATE PHASE CIRCUITING OF FESTOONS SO THAT EVERY OTHER POLE IS "R" THEN "B".



**SPlicing ELECTRICAL CABLES  
BASIC MATERIALS AND METHODS**

NO SCALE



STAR K. AGUSTASON  
10/19/09  
LICENSE EXPIRES 11-30-11

COPYRIGHT © 2009 BY BAXTER & WOODMAN, INC.  
STATE OF ILLINOIS PROFESSIONAL DESIGN FIRM  
FIRM NO. 06-00036-00-LS  
DATE OF REGISTRATION 01/19/2009  
OFFICE: 1060807-lighting-detalls.sht  
35324 PM



DESIGNED - OKA	REVISED - IDOT REVIEW 2/19/09
DRAWN - MAC	REVISED - IDOT REVIEW 4/22/09
CHECKED - JTB	REVISED -
DATE - 8-1-08	FILE - 060807-lighting-detalls.sht

**VILLAGE OF WINTHROP HARBOR, ILLINOIS  
ILLINOIS ROUTE 137 (SHERIDAN ROAD) AND 7th STREET  
STREETScape IMPROVEMENTS**

**STREET LIGHTING DETAILS**

SCALE: NONE

STA. TO STA.

F.A.P. RTE.	SECTION	COUNTY	TOTAL SHEETS	SHEET NO.
	06-00036-00-LS	LAKE	70	48
FED. ROAD DIST. NO. 1			CONTRACT NO. 63167	
JOB NO. C-91-197-10		ILLINOIS FED. AID PROJECT ARA-001(810)		

F.A.P. 352 ILLINOIS ROUTE 137 (SHERIDAN ROAD)