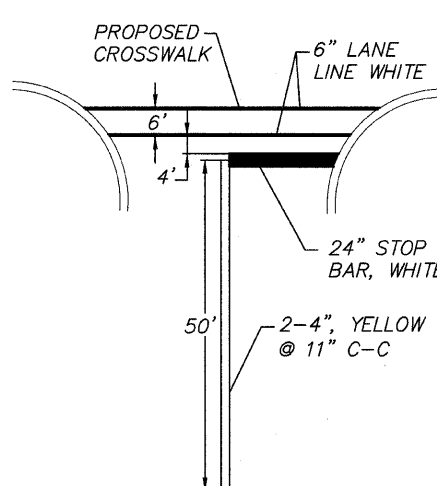
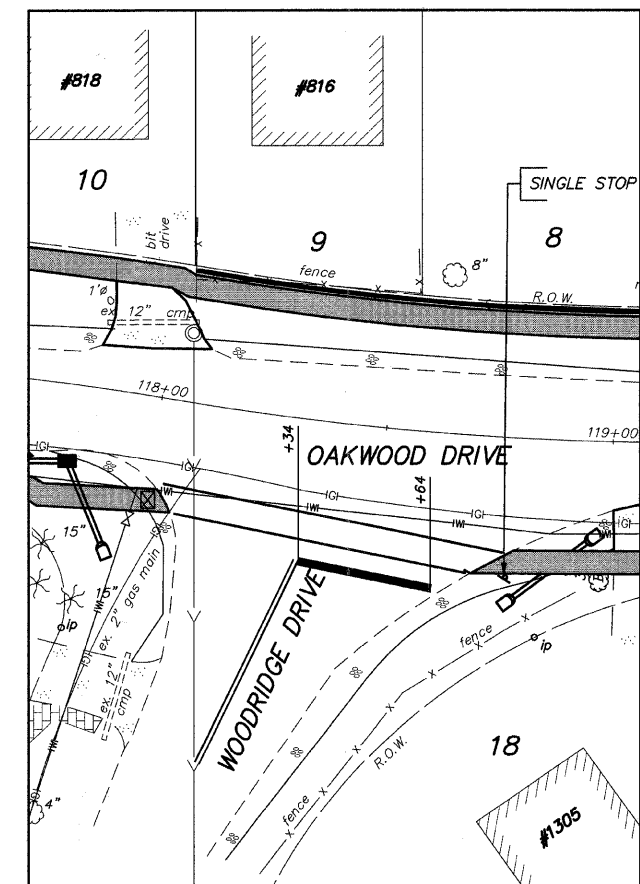
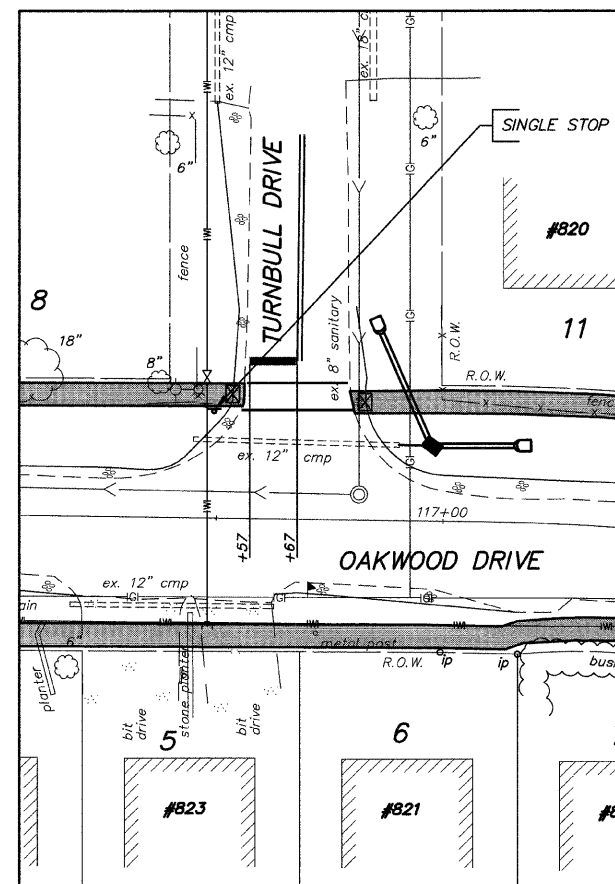
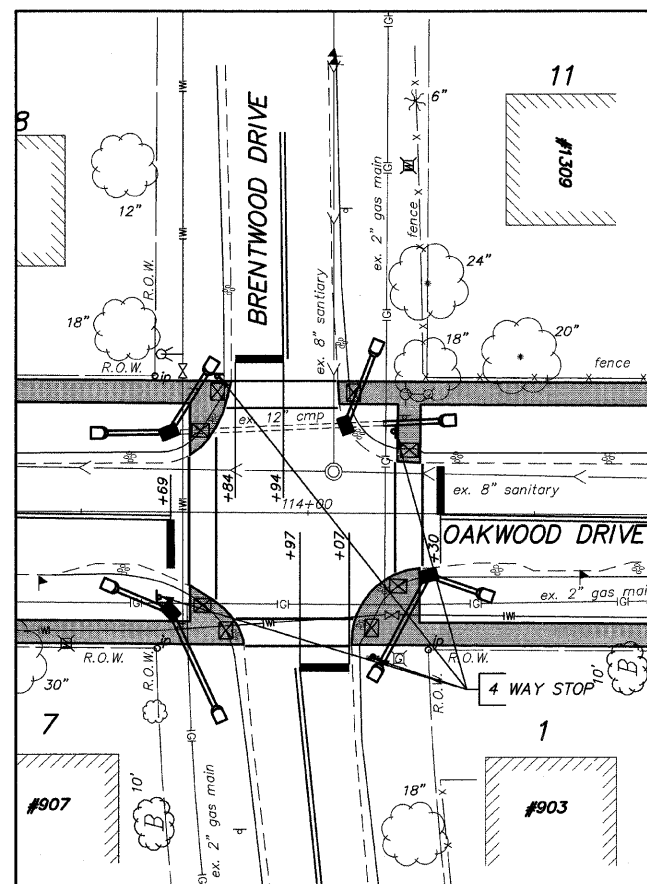
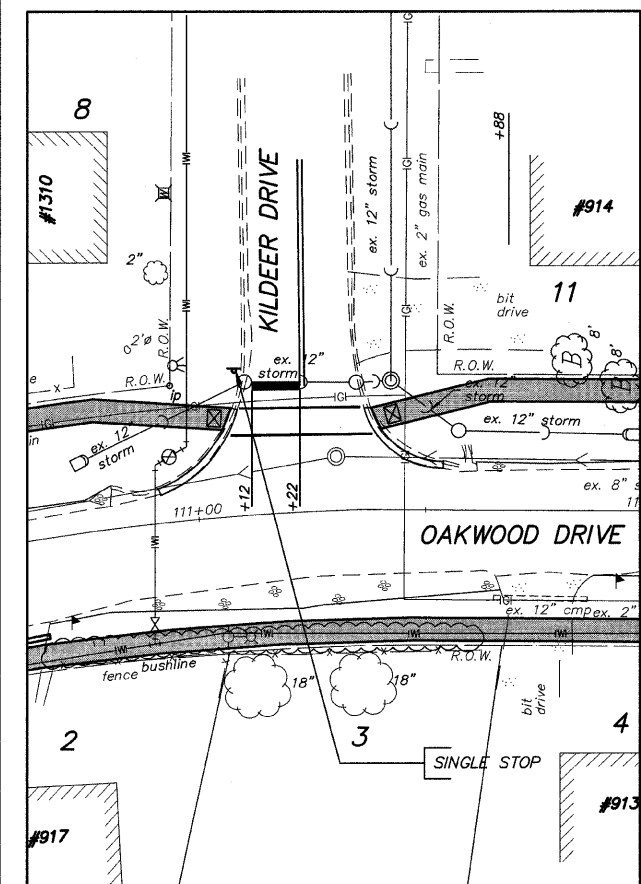


N  
SCALE:  
HOR: 1"=20'



TYPICAL CROSSWALK DETAIL  
NOT TO SCALE

NOTE:  
SEE SHEET 39 FOR DISTRICT 1  
TYPICAL PAVEMENT MARKINGS

FILE NAME = 10258808.DWG	USER NAME =	DESIGNED — RJD	REVISED —
	FILE NAME =	DRAWN — EC	REVISED —
	PLOT SCALE =	CHECKED — RJD	REVISED —
	PLOT DATE =	DATE — 10/02/09	REVISED —

STATE OF ILLINOIS  
DEPARTMENT OF TRANSPORTATION

PAVEMENT MARKING PLANS

SCALE: 1"=20' SHEET NO. 34 OF 73 SHEETS

F.A. RTE.	SECTION	COUNTY	TOTAL SHEETS	SHEET NO.
	08-00062-00-SW	LAKE	73	34
CONTRACT NO. 63280			ILLINOIS FED. AID PROJECT	