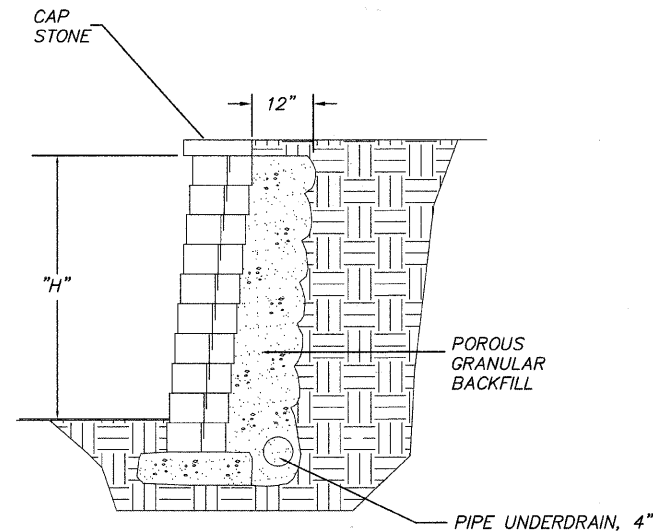
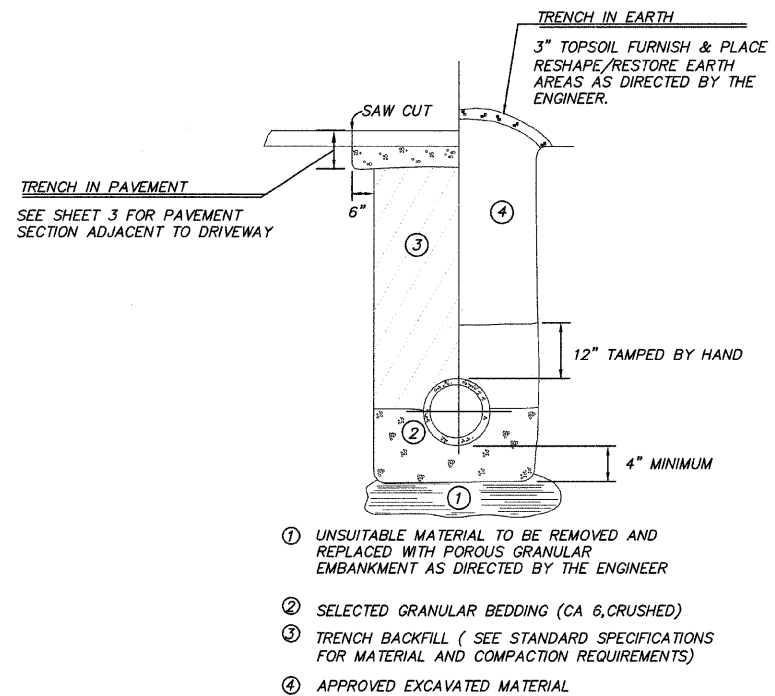


**TYPICAL SECTION -  
GRADING AND SHAPING DITCHES**



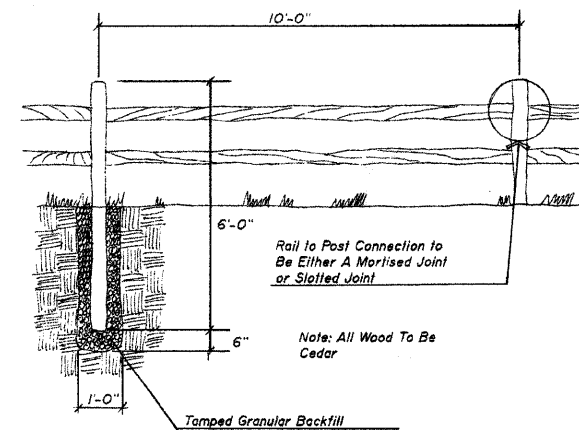
**STONE RETAINING WALL DETAIL**

NOT TO SCALE



**TYPICAL TRENCH DETAIL**

NOT TO SCALE



**RUSTIC WOOD POST AND  
RAIL FENCE DETAIL**

NOT TO SCALE

FILE NAME = 10258803.DWG	USER NAME =	DESIGNED -- RJD	REVISED --	<b>STATE OF ILLINOIS DEPARTMENT OF TRANSPORTATION</b>	<b>SPECIAL DETAILS</b>	F.A. RTE.	SECTION	COUNTY	TOTAL SHEETS	SHEET NO.	
	FILE NAME =	DRAWN -- EC	REVISED --			---	08-00062-00-SW	LAKE	73	41	
	PLOT SCALE =	CHECKED -- RJD	REVISED --			CONTRACT NO. 63280					
	PLOT DATE =	DATE -- 10/02/09	REVISED --			SCALE: N.T.S.		SHEET NO. 41 OF 73 SHEETS		ILLINOIS FED. AID PROJECT	