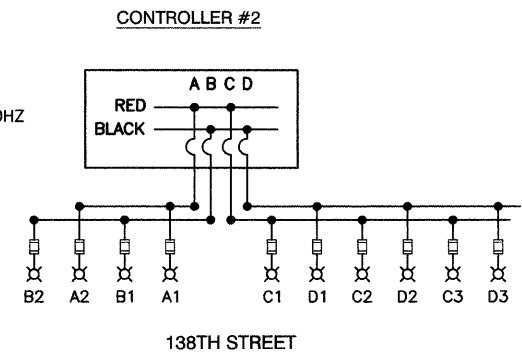
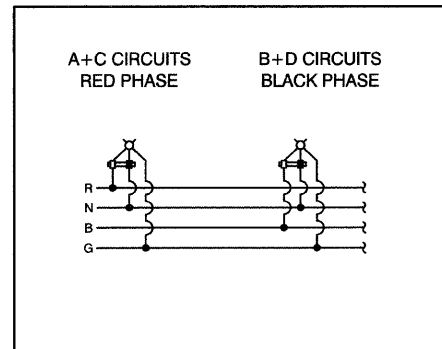


LOAD TABULATIONS CONTROLLER #1			
CIRCUIT	WATTS	AMPS @ 240V	
		RED PHASE	BLACK PHASE
A	2,786	11.80	
B	3,132		13.20
C	2,745	11.70	
D	2,745		11.70
SUBTOTAL	11,408	23.50	24.90
TOTAL AMPS @ 240 V		48.40	

LOAD TABULATIONS CONTROLLER #2			
CIRCUIT	WATTS	AMPS @ 240V	
		RED PHASE	BLACK PHASE
A	610	2.60	
B	610		2.60
C	915	3.90	
D	915		3.90
SUBTOTAL	3,050	6.50	6.50
TOTAL AMPS @ 240 V		13.00	



TYPICAL POLE WIRING



- LEGEND**
- ⊗ LUMINAIRE, 250W HPS, 240V
 - ⊗ LUMINAIRE, 400W HPS, 240V
 - FUSE, 3.5 AMP
 - FUSE, 6.0 AMP
 - A1 LUMINAIRE CIRCUIT
 - { CIRCUIT BREAKER
 - CONNECTION

DATE	BY

PLAN

REVISIONS

NOTE BOOK

NO.

DESIGNED

CHECKED

PLOTTED

DATE

BY

FILE NAME

DATE	BY

PROFILE

REVISIONS

NOTE BOOK

NO.

DESIGNED

CHECKED

PLOTTED

DATE

BY

FILE NAME

