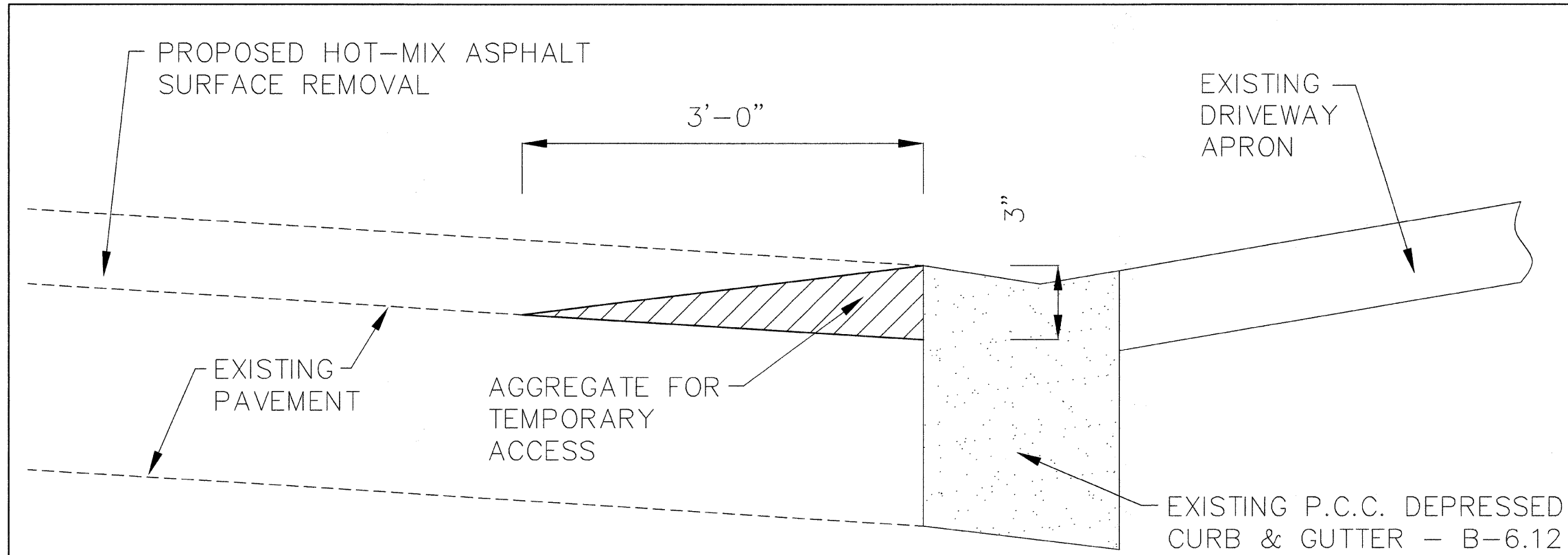


F.A.U. RTE.	SECTION	COUNTY	TOTAL SHEETS	SHEET NO.
1625	09-00046-00-RS	COOK	11	8
FED. ROAD DIST. NO. 1		ILLINOIS	CONTRACT NO. 63307	



NOTES:

1. THE AGGREGATE FOR TEMPORARY ACCESS SHALL BE PLACED IMMEDIATELY FOLLOWING THE MILLING OPERATION.
2. THE AGGREGATE FOR TEMPORARY ACCESS SHALL BE REMOVED IMMEDIATELY PRIOR TO PLACING POLYMERIZED LEVELING BINDER.
3. ALL WORK SHALL BE INCIDENTAL TO "AGGREGATE FOR TEMPORARY ACCESS".

AGGREGATE FOR TEMPORARY ACCESS DETAIL

(NOT TO SCALE)

ILLINOIS PROFESSIONAL DESIGN FIRM NO. 184-002235

TECH 3 Consulting Group, Inc.

ENGINEERS SURVEYORS
737 West Exchange St. Crete, IL 60417
ph 708.672.4994 fax 708.672.3739



Village of Flossmoor
Flossmoor, Illinois

DESIGNED BY: RWM
DRAWN BY: EGH
CHECKED BY: RWM

REVISIONS				
NO.	DATE	BY	DESCRIPTION	
2	10/12/09	EGH	PER I.D.O.T. REVIEW	

FLOSSMOOR ROAD RESURFACING
WESTERN AVENUE TO DIXIE HIGHWAY
AGGREGATE FOR TEMPORARY ACCESS DETAIL

DATE: SEPTEMBER 4, 2009 SCALE: AS NOTED JOB NO. 09709