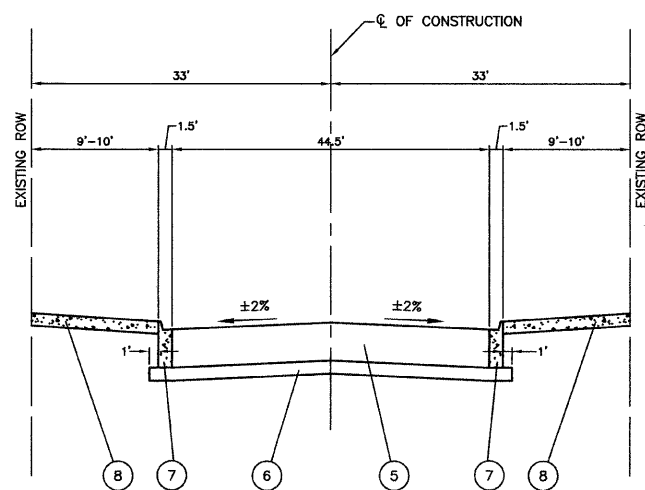


EXISTING TYPICAL CROSS SECTION

WESTERN AVENUE
 STA 0+91.81 TO STA 2+09.45
 STA 7+17.83 TO STA 8+40.19



PROPOSED TYPICAL CROSS SECTION

WESTERN AVENUE
 STA 0+91.81 TO STA 2+09.45
 STA 7+17.83 TO STA 8+40.19

EXISTING LEGEND

- ① EXISTING PAVEMENT TO BE REMOVED - (±4" BITUMINOUS & ±10" P.C. CONCRETE)
- ② EXISTING SUBGRADE TO REMAIN
- ③ EXISTING CURB & GUTTER TO BE REMOVED
- ④ EXISTING P.C. CONCRETE SIDEWALK TO BE REMOVED

PROPOSED LEGEND

- ⑤ PROPOSED HIGH-EARLY-STRENGTH PORTLAND CEMENT CONCRETE PAVEMENT, 10" OR PROPOSED HIGH-EARLY-STRENGTH PORTLAND CEMENT CONCRETE PAVEMENT, 10", STAMPED & COLORED (IN CROSSWALKS)
- ⑥ PROPOSED SUB-BASE GRANULAR MATERIAL, TYPE B, 4"
- ⑦ PROPOSED COMBINATION CONCRETE CURB AND GUTTER, TYPE B-6.12
- ⑧ PROPOSED PATTERN, COLOR, PORTLAND CEMENT CONCRETE SIDEWALK, 5", SPECIAL

FILE NAME = 09285-TYPX-01 - IDOT P01

USER NAME =	DESIGNED -- HLG	REVISED --
	CHECKED -- HLG	REVISED --
PLOT SCALE =	DRAWN -- PS	REVISED --
PLOT DATE =	CHECKED -- AG	REVISED --

**STATE OF ILLINOIS
 DEPARTMENT OF TRANSPORTATION**

**INTERSECTION ENHANCEMENTS
 WESTERN AVENUE, VERMONT STREET, & YORK STREET
 TYPICAL CROSS SECTIONS**

F.A.P. RTE.	SECTION	COUNTY	TOTAL SHEETS	SHEET NO.
0370	09-00183-00-SP	COOK	16	3
CONTRACT NO. 63313				
FED. ROAD DIST. NO. 1	ILLINOIS	FED. AID PROJECT ARA-9003 (338)		

SCALE: NONE SHEET NO. 3 OF 16 SHEETS STA. TO STA.