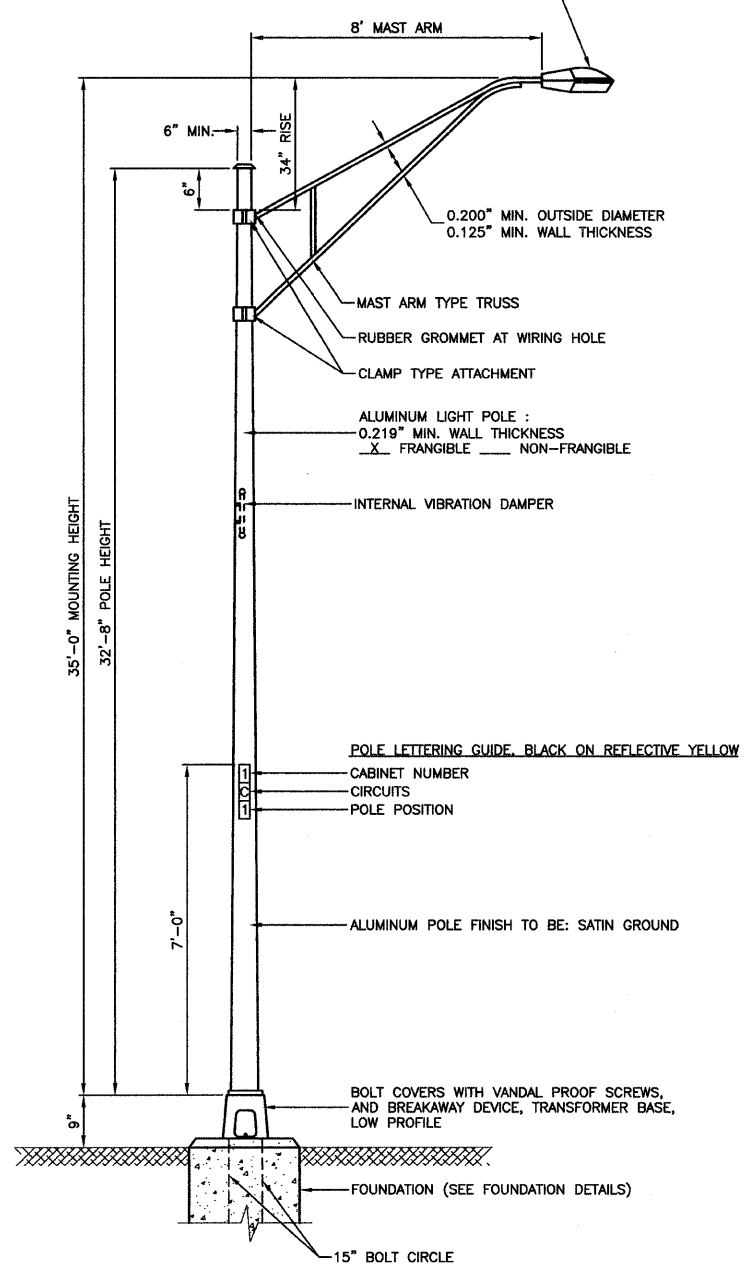


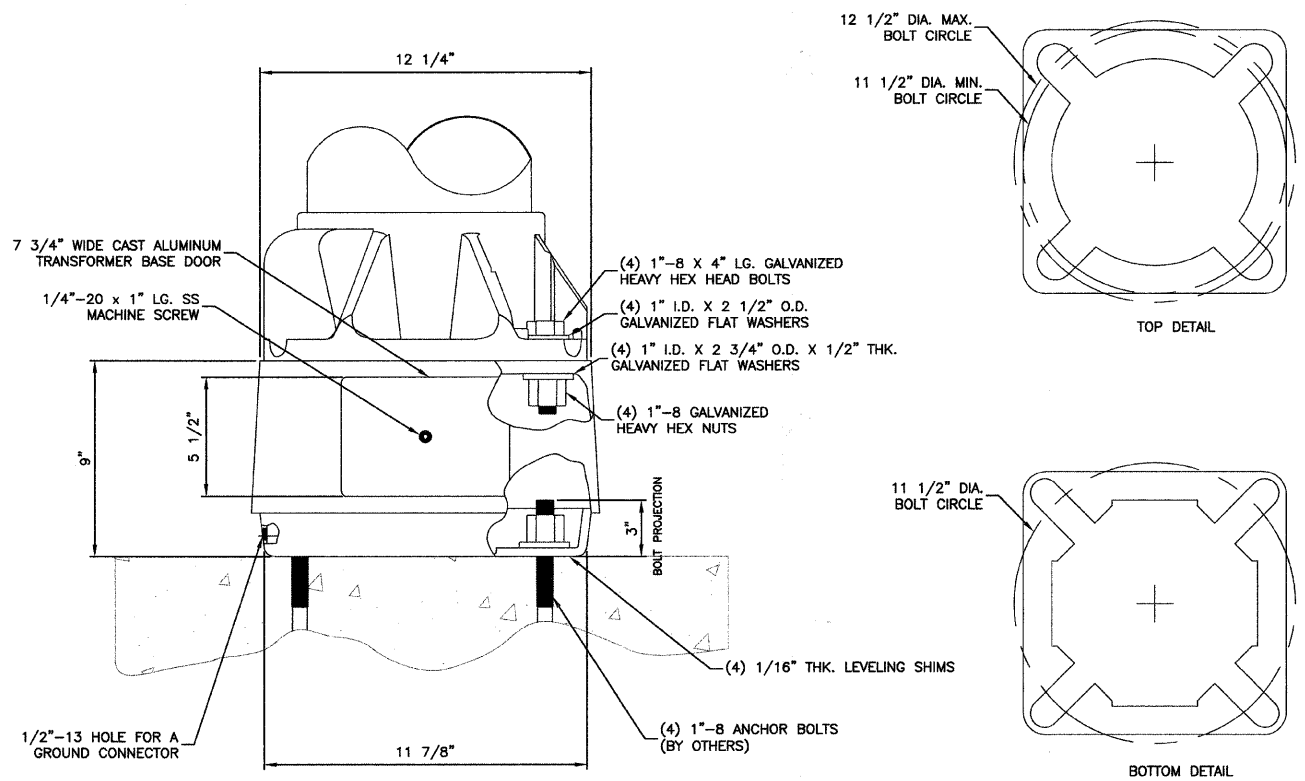
LUMINAIRE:
 250 WATT HIGH PRESSURE SODIUM LAMP
 240 VOLT BALLAST
 I.E.S. TYPE: MC III LIGHT DISTRIBUTION,
 FULL CUTOFF
 LENS TYPE: FLAT
 INITIAL LAMP LUMENS: 28,000
 LAMP LIFE: 24,000 HOURS

IMPORTANT NOTE:
 TRANSFORMER BASE AND LIGHTPOLE
 TO BE LEVELED AS ONE UNIT. USING
 LEVELING SHIMS IF REQUIRED.

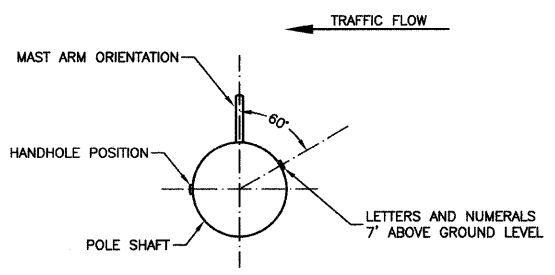


- NOTES:**
1. THE LIGHTING UNITS SHALL MEET AASHTO DESIGN CRITERIA. DESIGN FOR 90 M.P.H. WIND WITH 30% GUST AND 75 POUND LUMINAIRE HAVING AN E.P.A. OF 1.6 SQ. FT. AND PROPER ICE LOADING.
 2. ALUMINUM ALLOY 6063-T6 SHALL BE USED.
 3. LIGHT POLE AND ASSOCIATED EQUIPMENT TO BE U.L. LISTED

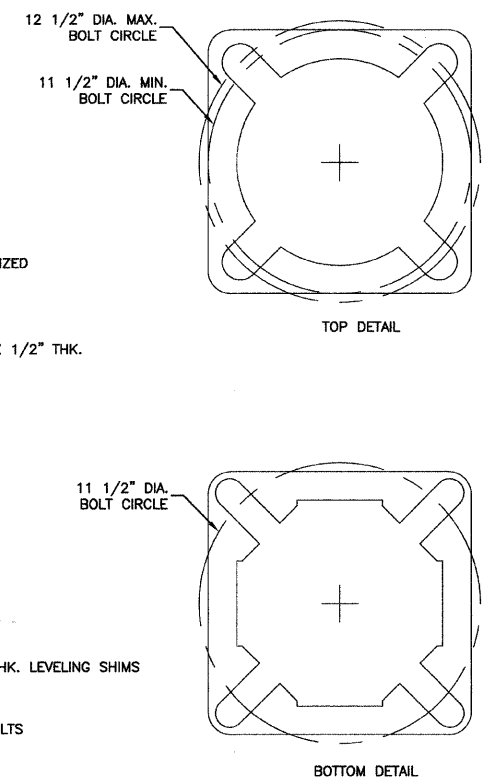
TYPICAL POLE TO BE RELOCATED



BREAKAWAY TRANSFORMER BASE DETAIL



EXISTING POSITION OF HANDHOLE AND NUMERALS ON POLE



FILE NAME = 05587-LGHT-02 - P01	USER NAME =	DESIGNED — PAP	REVISED —	STATE OF ILLINOIS DEPARTMENT OF TRANSPORTATION	CHICAGO HEIGHTS-GLENWOOD ROAD AND HOLBROOK ROAD INTERSECTION IMPROVEMENTS LIGHTING DETAILS			F.A. J. RTE. 36C3	SECTION 09-00050-00-TL	COUNTY COOK	TOTAL SHEETS 31	SHEET NO. 14
	PLOT SCALE =	CHECKED — PKB	REVISED —		SCALE: N/A	SHEET NO. 14 OF 31 SHEETS	STA. TO STA.	CONTRACT NO. 63320				
	PLOT DATE = 10-29-09	DRAWN — BDB	REVISED —		FED. ROAD DIST. NO. 1 ILLINOIS FED. AID PROJECT ARA-9003 (332)							
		CHECKED — JRA	REVISED —									