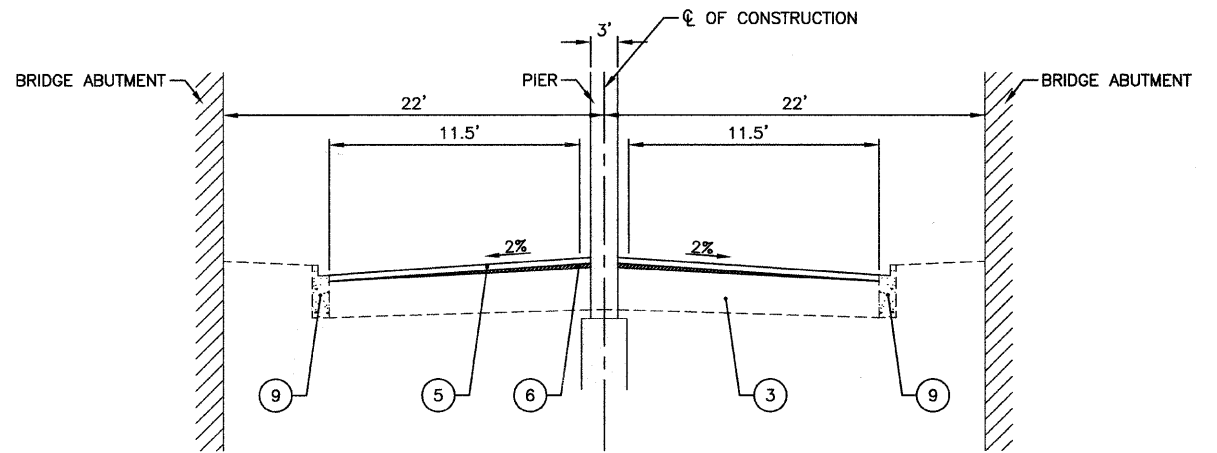


14'-6" EXISTING VERTICAL CLEARANCE

**EXISTING TYPICAL SECTION**

121ST STREET  
METRA TRACKS



14'-6" PROPOSED VERTICAL CLEARANCE

**PROPOSED TYPICAL SECTION**

121ST STREET  
METRA TRACKS

**LEGEND**

- ① HOT-MIX ASPHALT SURFACE REMOVAL, 2"
- ② EXISTING HOT-MIX ASPHALT PAVEMENT TO REMAIN, ±4"
- ③ EXISTING AGGREGATE BASE TO REMAIN
- ④ EXISTING STONE SHOULDER
- ⑤ HOT-MIX ASPHALT SURFACE COURSE, MIX "C", N50, 1.5"
- ⑥ POLYMERIZED LEVELING BINDER (MACHINE METHOD), IL-4.75, N50, 0.75"
- ⑦ AGGREGATE WEDGE SHOULDER, TYPE B
- ⑧ EXISTING PCC SIDEWALK
- ⑨ EXISTING CURB & GUTTER
- ⑩ HOT-MIX ASPHALT SURFACE REMOVAL, 2.25"

**TYPICAL SECTION NOTES**

CLASS D PATCHES, TYPES II, III, AND IV TO BE DETERMINED IN FIELD BY RESIDENT ENGINEER.

PAY WIDTH FOR AGGREGATE WEDGE SHOULDER, TYPE B ON 121ST STREET EAST OF METRA TRACKS SHALL BE 2 FEET.

CONTRACTOR SHALL MILL 2.25" BENEATH METRA TRACKS IN ORDER TO MAINTAIN EXISTING VERTICAL CLEARANCE OF 14'-6" AFTER CONSTRUCTION COMPLETION.

FILE NAME = 09359_01-TYPX-01 - IDOT P02	USER NAME =	DESIGNED -- JSP	REVISED --
		CHECKED -- JSP	REVISED --
	PLOT SCALE =	DRAWN -- PS	REVISED --
	PLOT DATE = 10-15-09	CHECKED -- AG	REVISED --

STATE OF ILLINOIS  
DEPARTMENT OF TRANSPORTATION

127TH STREET & 121ST STREET RESURFACING		F.A.U. RTE.	SECTION	COUNTY	TOTAL SHEETS	SHEET NO.
121ST STREET		1003/1001	09-00030-00-RS	COOK	12	5
TYPICAL CROSS SECTIONS		CONTRACT NO. 63324		FED. ROAD DIST. NO. 1 ILLINOIS FED. AID PROJECT ARA-9003(422)		
SCALE: NONE	SHEET NO. 5 OF 12 SHEETS	STA.	TO STA.			