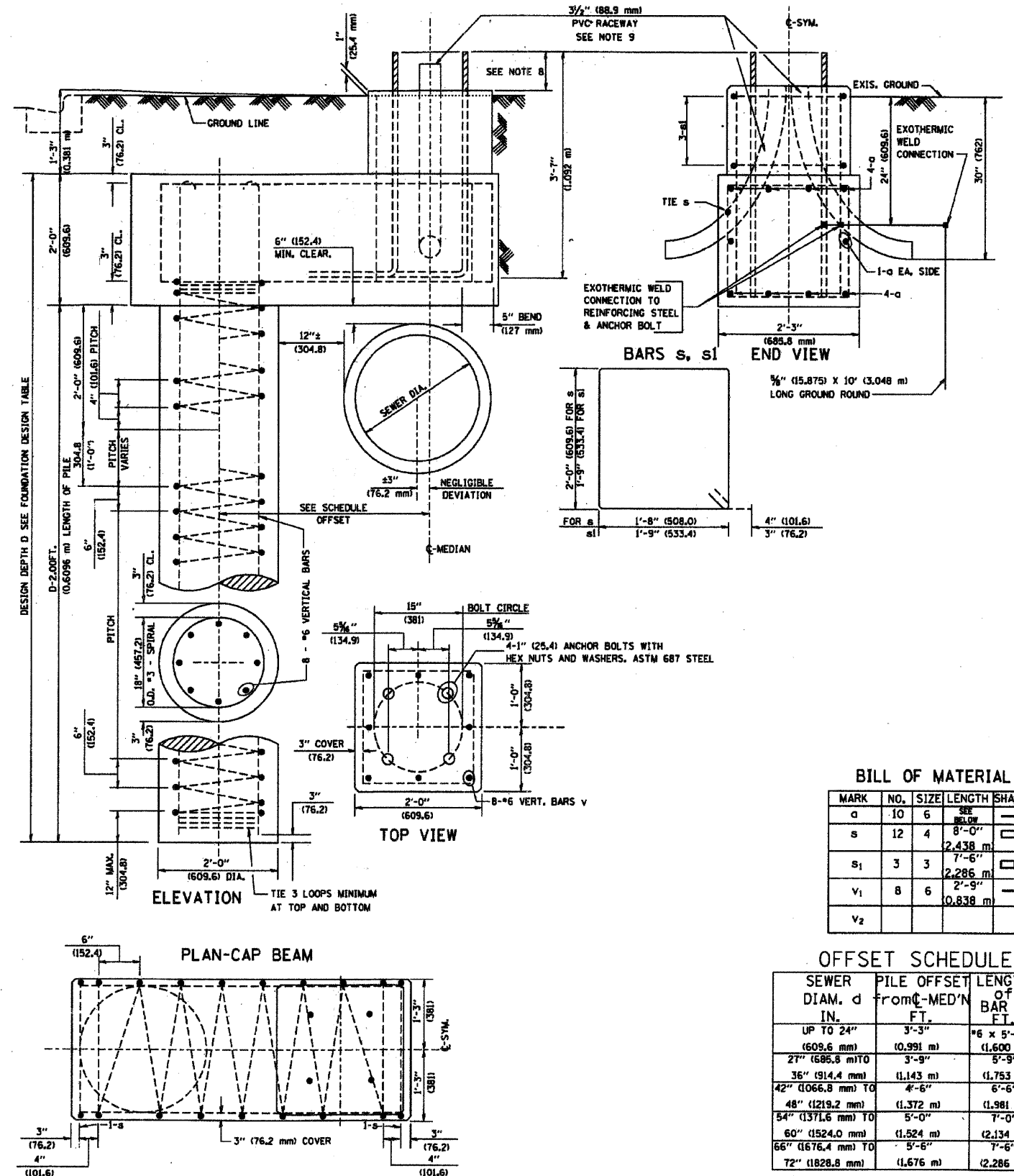


FOUNDATION DESIGN TABLE

TYPE OF SOIL	DESIGN DEPTH OF FOUNDATION		REINFORCEMENT IN FOUNDATION			
	SINGLE ARM D	TWIN ARM D	SINGLE ARM		TWIN ARM	
			VERT BARS	SPIRAL	VERT BARS	SPIRAL
SOFT CLAY	13'-0" (3,962 m)	15'-0" (4,572 m)	8-#6X12'-6" (3,810 m)	*3X122' (37,186 m)	8-#6X14'-3" (4,343 m)	*3X141' (42,977 m)
MEDIUM CLAY	9'-6" (2,896 m)	10'-9" (3,277 m)	8-#6X9'-0" (2,743 m)	*3X90' (27,432 m)	8-#6X10'-0" (3,048 m)	*3X100' (30,480 m)
STIFF CLAY	7'-0" (2,134 m)	8'-0" (2,438 m)	8-#6X6'-6" (1,981 m)	*3X66' (20,112 m)	8-#6X7'-6" (2,286 m)	*3X76' (23,165 m)
LOOSE SAND	9'-0" (2,743 m)	10'-0" (3,048 m)	8-#6X8'-6" (2,591 m)	*3X85' (25,908 m)	8-#6X9'-6" (2,896 m)	*3X94' (28,651 m)
MEDIUM SAND	8'-3" (2,515 m)	9'-0" (2,743 m)	8-#6X8'-0" (2,438 m)	*3X78' (23,774 m)	8-#6X8'-6" (2,591 m)	*3X85' (25,908 m)
DENSE SAND	7'-9" (2,362 m)	9'-0" (2,743 m)	8-#6X7'-6" (2,286 m)	*3X73' (22,250 m)	8-#6X8'-6" (2,591 m)	*3X85' (25,908 m)
ROCK OR SOLIDIFIED SLAG	5'-0" (1,524 m)	5'-0" (1,524 m)	NONE	NONE	NONE	NONE

NOTES

- ALL DIMENSIONS ARE IN INCHES (MILLIMETERS) UNLESS OTHERWISE SHOWN.
- THE ENGINEER SHALL DETERMINE THE CLASS OF SOIL DURING EXCAVATION AND SELECT THE DESIGN DEPTH OF FOUNDATION FROM THE DESIGN TABLE.
- EXCAVATION OF THE POLE FOUNDATION SHALL BE MADE WITH AN AUGER, 24" (609.6 mm) OR 30" (762.0 mm) IN DIAMETER.
- THE ANCHOR ROD SHALL BE A HOOK ROD TYPE. COLD BENDING OF THE ANCHOR ROD WILL NOT BE ALLOWED. THE RADIUS OF THE HOOK BEND SHALL NOT BE LESS THAN 4 TIMES THE NOMINAL DIAMETER OF THE ANCHOR ROD. A TACK WELDED ANCHOR ROD MAY BE SUBSTITUTED WITH THE APPROVAL OF THE ENGINEER.
- THE ANCHOR BOLTS AND RACEWAYS SHALL BE PROPERLY SECURED IN PLACE BEFORE THE CONCRETE IS PLACED IN THE FORM.
- THE ANCHOR RODS SHALL BE ACCORDING TO ASTM F1554 GRADE 725 (GRADE 105). NUTS SHALL BE HEXAGON NUTS ACCORDING TO ASTM A 194 2H OR ASTM A 563 DH, AND WASHERS SHALL BE ACCORDING TO ASTM F 436.
- THE CONTRACTOR SHALL COORDINATE EXTENSION OF ANCHOR BOLTS ABOVE TOP OF FOUNDATION WITH THE BREAKAWAY DEVICE MANUFACTURER'S REQUIREMENTS. IF LIGHT POLE IS MOUNTED WITHOUT BREAKAWAY DEVICE, ANCHOR BOLTS SHALL PROJECT 2 3/4" (69.9 mm) ABOVE TOP OF THE FOUNDATION. THE CONTRACTOR SHALL CONFIRM ANCHOR BOLT EXTENTION WITH ENGINEER.
- RACEWAYS SHALL PROJECT 1" (25.4 mm) ABOVE THE TOP OF THE FOUNDATION.
- THE CABLE TRENCH SHALL BE BACKFILLED AND FIRMLY COMPACTED BEFORE THE LIGHT IS ERECTED.



BILL OF MATERIAL

MARK	NO.	SIZE	LENGTH	SHAPE
a	10	6	SEE BELOW	—
s	12	4	8'-0" (2,438 m)	□
s1	3	3	7'-6" (2,286 m)	□
v1	8	6	2'-9" (0,838 m)	—
v2				

OFFSET SCHEDULE

SEWER DIAM. d IN.	PILE OFFSET from C-MED'N FT.	LENGTH OF BAR d FT.
UP TO 24" (609.6 mm)	3'-3" (0,991 m)	*6 x 5'-3" (1,600 m)
27" (686.8 mm) TO 36" (914.4 mm)	3'-9" (1,143 m)	5'-9" (1,753 m)
42" (1066.8 mm) TO 48" (1219.2 mm)	4'-6" (1,372 m)	6'-6" (1,981 m)
54" (1371.6 mm) TO 60" (1524.0 mm)	5'-0" (1,524 m)	7'-0" (2,134 m)
66" (1676.4 mm) TO 72" (1828.8 mm)	5'-6" (1,676 m)	7'-6" (2,286 m)

Joseph A. Schudt & Associates
 19350 S. HARLEM AVENUE FRANKFORD, IL 60423
 PHONE: 708-720-1000 FAX: 708-720-1065
 ILLINOIS REGISTERED DESIGN FIRM No. 184-001172
 CIVIL ENGINEERING LAND SURVEYING ENVIRONMENTAL LAND PLANNING GPS SERVICES

Village of South Chicago Heights
 Sauk Trail Lighting Project

STATE OF ILLINOIS
 DEPARTMENT OF TRANSPORTATION

Light Pole Foundation Offset
 and Installation Details

F.A.P. RTE.	SECTION	COUNTY	TOTAL SHEETS	SHEET NO.
1632	09-00059-00-LT	COOK	15	14
BE-310			CONTRACT No. 63327	
ILLINOIS FED. AID PROJECT AREA - 9003 (367)				

Long Section Number Multiple County Names 09-027-LITS.dwg 09-027

FILE NAME =	USER NAME =	DESIGNED -	REVISED -
		S.M.H.	8-26-09
		J.A.R.	10-12-09
		S.M.H.	
		DATE -	REVISED -
		7-31-09	

SCALE: N.T.S. SHEET NO. 14 OF 15 SHEETS STA. TO STA.