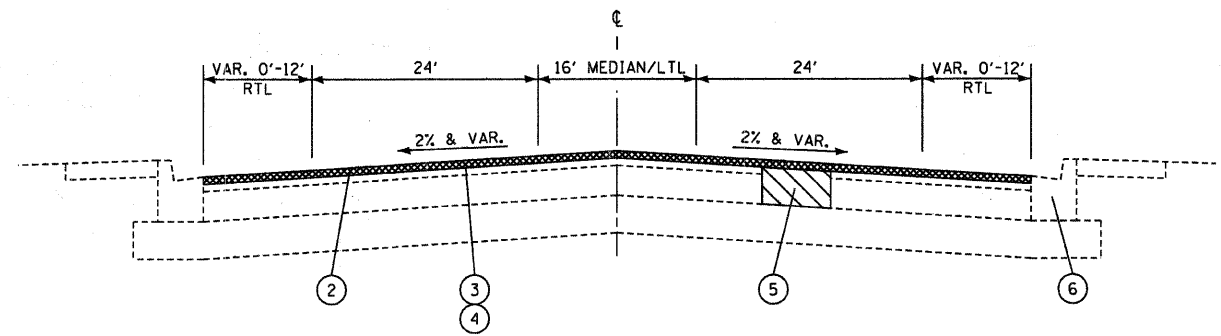
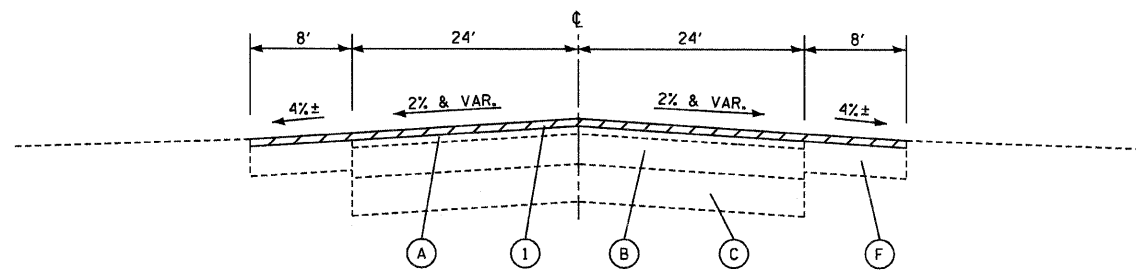


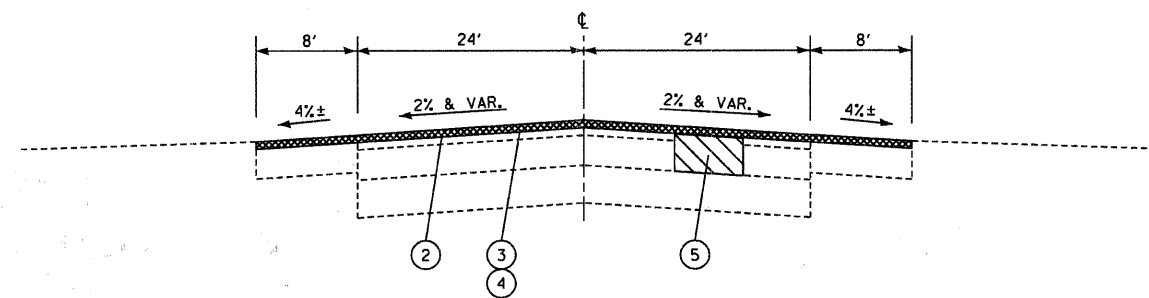
CH 23 NAPERVILLE ROAD
LUCENT LANE TO NORTH OF FRANK H. BELLINGER PARKWAY
STA. 59+63 TO STA. 83+87
EXISTING TYPICAL SECTION



CH 23 NAPERVILLE ROAD
LUCENT LANE TO NORTH OF FRANK H. BELLINGER PARKWAY
STA. 59+63 TO STA. 83+87
PROPOSED TYPICAL SECTION



CH 23 NAPERVILLE ROAD
NORTH OF FRANK H. BELLINGER PARKWAY TO SOUTH OF IL ROUTE 56
STA. 83+87 TO STA. 112+00
EXISTING TYPICAL SECTION



CH 23 NAPERVILLE ROAD
NORTH OF FRANK H. BELLINGER PARKWAY TO SOUTH OF IL ROUTE 56
STA. 83+87 TO STA. 112+00
PROPOSED TYPICAL SECTION

LEGEND

- | | |
|---|---|
| (A) EXISTING HMA BINDER & SURFACE (VARIES 3-1/2" TO 4-1/2") | (1) HMA SURFACE REMOVAL, 1-3/4" |
| (B) EXISTING HMA OR P.C.C. BASE COURSE | (2) POLY. HMA SURFACE COURSE, MIX "F", N90, 1-3/4" |
| (C) EXISTING AGGREGATE SUBGRADE | (3) BITUMINOUS MATERIALS (PRIME COAT) |
| (D) EXISTING COMB. CONCRETE CURB & GUTTER, TYPE B-6.18 | (4) AGGREGATE (PRIME COAT) |
| (E) EXISTING AGGREGATE PATH | (5) PATCH (AS DIRECTED BY THE ENGINEER), 13" |
| (F) EXISTING HMA SHOULDER | (6) COMB. CONC. CURB & GUTTER REMOVAL & REPLACEMENT (AS DIRECTED BY THE ENGINEER) |

NOTE:

LEVELING BINDER (MIN. 3/4"), IF REQUIRED, SHALL BE LEVELING BINDER (MACHINE METHOD), N70, IL 9.5

PRINTED DATE: 10/16/2009 11:22:52 AM C:\projects\dupage\contract\63335\typical\sections\02.dwg



NO.	DATE	DESCRIPTION OF REVISIONS	NO.	DATE	DESCRIPTION OF REVISIONS