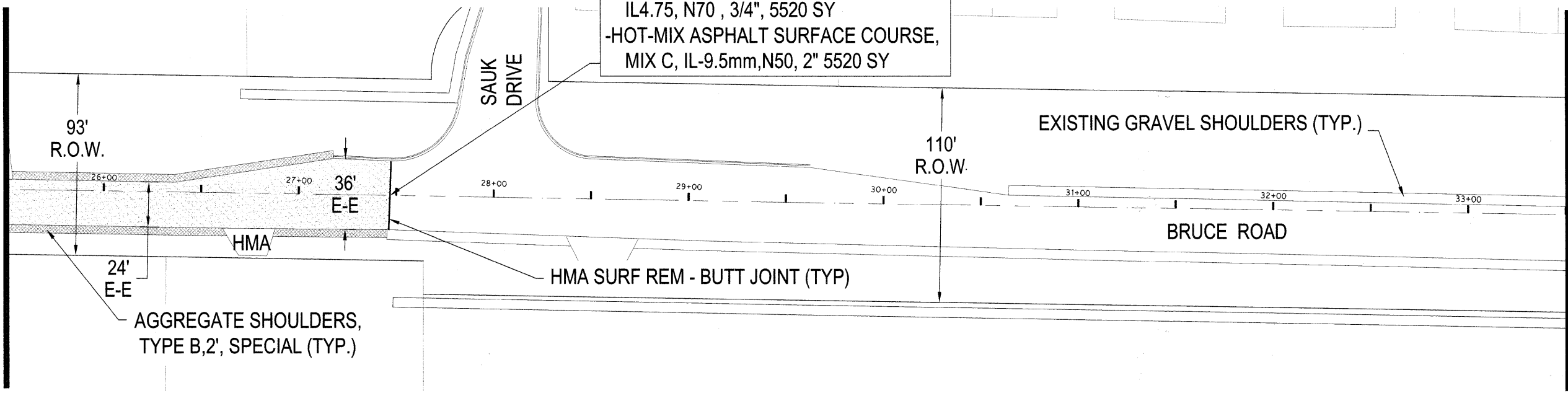


END STA. 27+47  
 -HMA SURF REM, SPECIAL  
 (EDGE MILL ONLY, 6')  
 -POLYMERIZED LEVELING BINDER (MM),  
 IL4.75, N70 , 3/4", 5520 SY  
 -HOT-MIX ASPHALT SURFACE COURSE,  
 MIX C, IL-9.5mm,N50, 2" 5520 SY

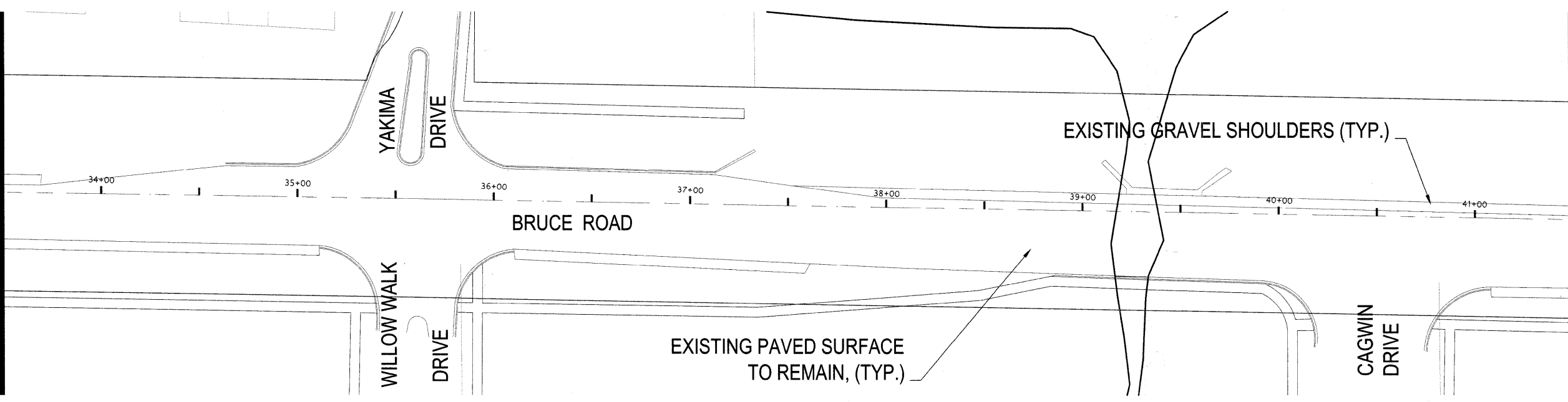
SEE MATCHLINE SHEET 5, STA. 17+50

SEE MATCHLINE BELOW, STA. 33+50



SEE MATCHLINE ABOVE, STA. 33+50

SEE MATCHLINE SHEET 7, STA. 41+50



FIELD ENGINEER: MELCHOR MANGOBA (847) 705-4408

FILE NAME =	USER NAME = Amy Wagner	DESIGNED -- A. Wagner	REVISED -- A. Wagner 10/14/2009
		DRAWN -- A. Wagner	REVISED --
	PLOT SCALE = None	CHECKED -- A. Ries	REVISED --
	PLOT DATE = 10/14/2009	DATE -- 8/27/2009	REVISED --

STATE OF ILLINOIS  
 DEPARTMENT OF TRANSPORTATION

BRUCE ROAD PLAN SHEET  
 STA. 10+00 - 41+00

SCALE: None    SHEET NO. 06 OF 20 SHEETS    STA. 10+00 TO STA. 41+00

F.A.U. RTE.	SECTION	COUNTY	TOTAL SHEETS	SHEET NO.
290/293	09-00065-00-RS	WILL	20	06
CONTRACT NO. 63352			ILLINOIS FED. AID PROJECT ARA-9003(408)	