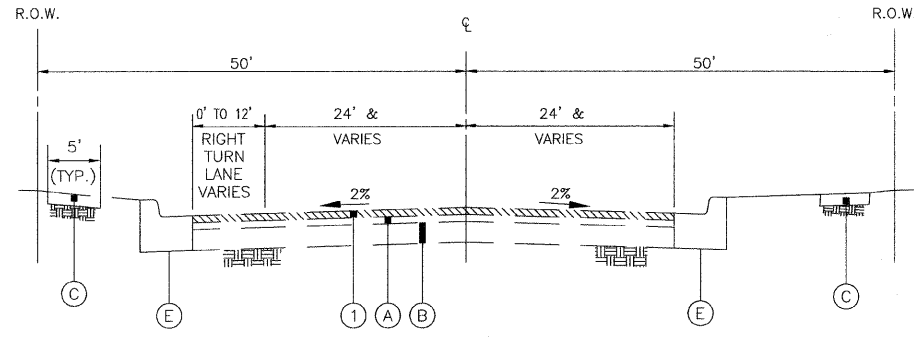
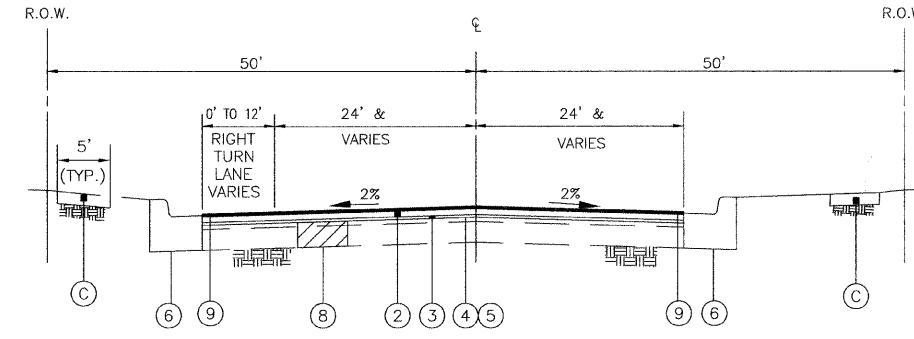


F.A.U. RTE.	SECTION	COUNTY	TOTAL SHEETS	SHEET NO.
2734	09-00150-00-RS	COOK	23	3

CONTRACT: 63362

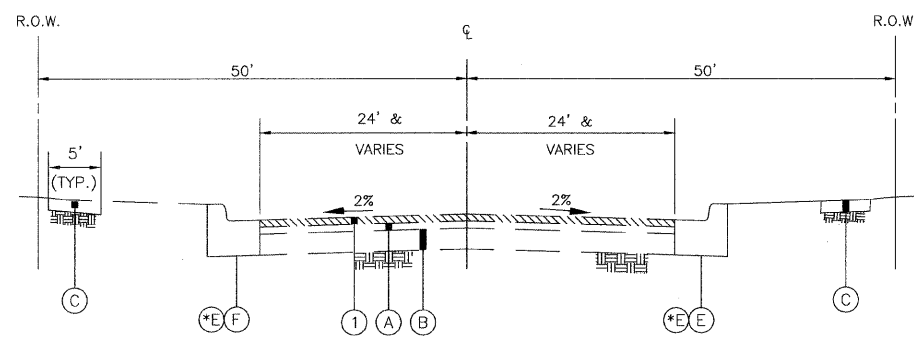


EXISTING TYPICAL SECTION
STA. 106+45 TO 107+00

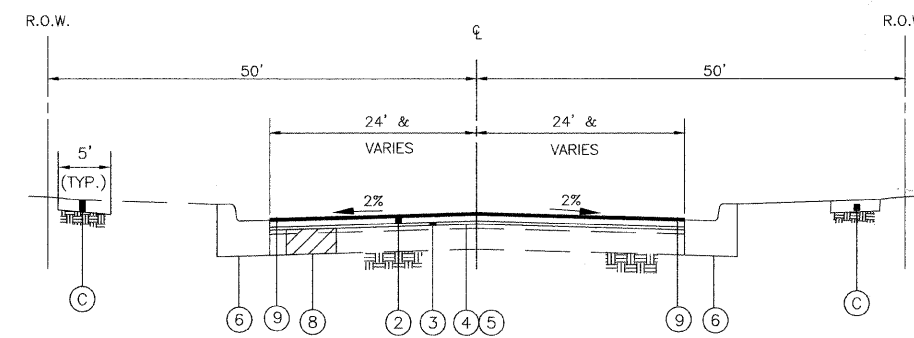


PROPOSED TYPICAL SECTION
STA. 106+45 TO 107+00

- (A) EXISTING ASPHALT COURSE
- (B) EXISTING P.C.C. BASE COURSE
- (C) EXISTING P.C.C. SIDEWALK
- (D) CORRUGATED CONCRETE MEDIAN
- (E) COMB. CONC. CURB & GUTTER, TYPE B-6.12
- (1) HOT MIX ASPHALT SURFACE REMOVAL, 2"
- (2) HOT MIX ASPHALT, MIX D, N70, IL-9.5MM, (1-1/2")
- (3) HOT MIX ASPHALT LEVELING BINDER IL-9.5 (MACHINE METHOD), N70 (3/4")
- (4) BITUMINIOUS MATERIALS (PRIME COAT)
- (5) AGGREGATE (PRIME COAT)
- (6) COMB. CONC. CURB & GUTTER REMOVAL AND REPLACEMENT, AS DIRECTED BY THE ENGINEER
- (7) CONCRETE MEDIAN SURFACE REMOVAL
- (8) CLASS D PATCHES, BINDER IL-19MM, 9", AS SHOWN ON PLANS AND DIRECTED BY THE ENGINEER
- (9) HMA SURFACE COURSE TO BE 1/4" ABOVE GUTTER FLAG, (TYP.)



EXISTING TYPICAL SECTION
*STA. 107+00 TO 110+00
STA. 143+00 TO 144+45

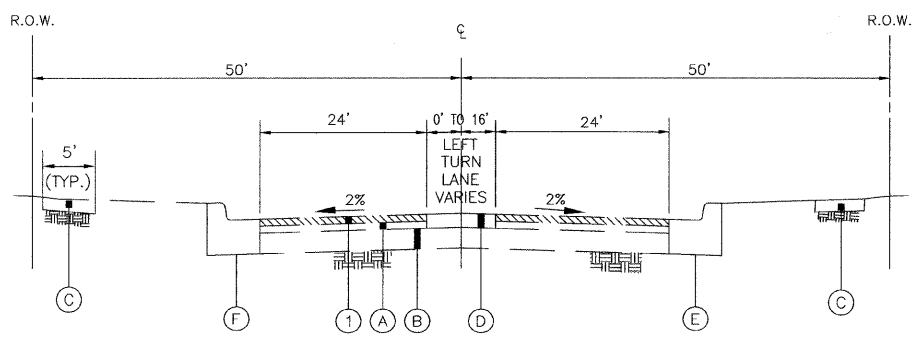


PROPOSED TYPICAL SECTION
*STA. 107+00 TO 110+00
STA. 143+00 TO 144+45

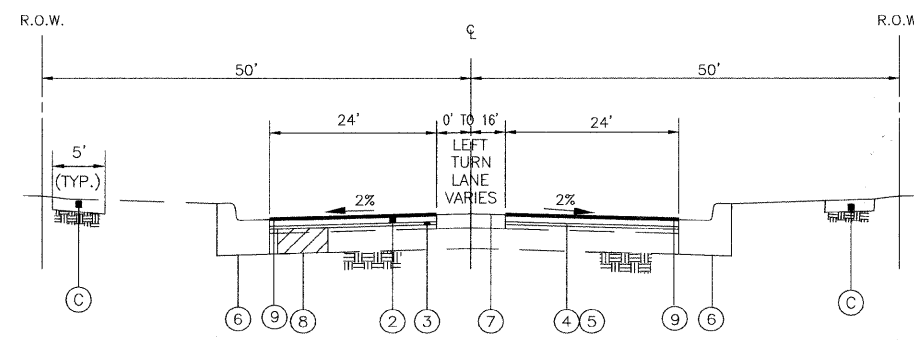
NOTE:
** "CONTRACTOR SHALL MILL BEFORE PATCHING".

MIXTURE USE	DESIGN AIR VOIDS
HOT MIX ASPHALT, MIX D, N70, IL-9.5MM	4% @ 70 GYR.
HMA LEVELING BINDER IL-9.5 (MACHINE METHOD), N70	4% @ 70 GYR.
CLASS D PATCHES, BINDER IL-19MM, TYPE I-IV, 9 IN.	4% @ 70 GYR.
HMA SURF. CSE., MIX C, IL-9.5MM, N50 (DRIVEWAY)	4% @ 50 GYR.

NOTE:
1. THE UNIT WEIGHT USED TO CALCULATE ALL ASPHALT MIXTURES IS 112 LBS./SQ.YD./IN.
2. THE "AC TYPE" FOR POLYMERIZED HMA MIXES SHALL BE "SBS/SBR PG 70-22" AND FOR NON-POLYMERIZED HMA THE "AC TYPE" SHALL BE "PG-22" UNLESS MODIFIED BY DISTRICT ONE SPECIAL PROVISIONS."
3. "FOR PERCENT OF RAP" SEE DISTRICT ONE SPECIAL PROVISIONS."



EXISTING TYPICAL SECTION
STA. 110+00 TO 143+00



PROPOSED TYPICAL SECTION
STA. 110+00 TO 143+00

VILLAGE OF NORTHBROOK
PFINGSETN ROAD RESURFACING
TYPICAL SECTION

DESIGN: JWH
DRAWN: JWH
CHECKED: RJD
DATE: 5/9/09
SCALE: N.T.S.
FILE NO.: N/A

J:\TOMICH\SKOKIE LAPP\SKOKIE TYP-SEC.DWG