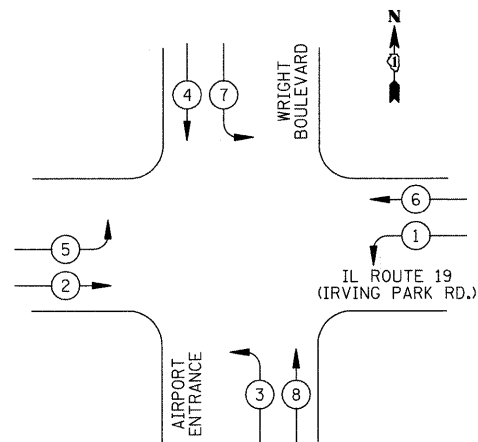


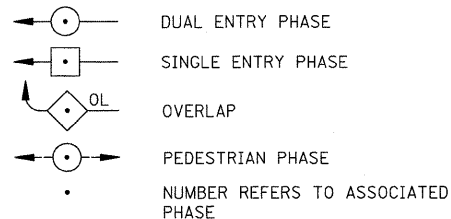
DATE	
BY	
PLAN	
DATE	
BY	
PROFILE	
DATE	
BY	
NOTES	
NO.	

DATE	
BY	
PROFILE	
DATE	
BY	
NOTES	
NO.	

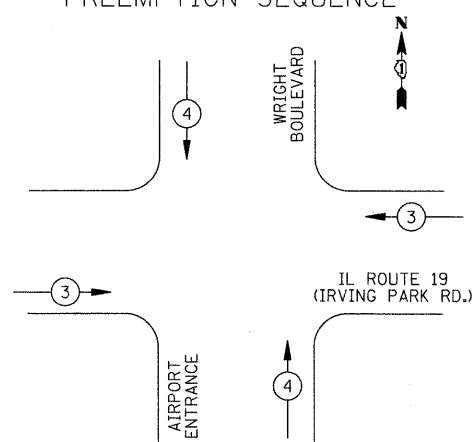
### TEMPORARY CONTROLLER SEQUENCE



#### LEGEND



### TEMPORARY EMERGENCY VEHICLE PREEMPTION SEQUENCE



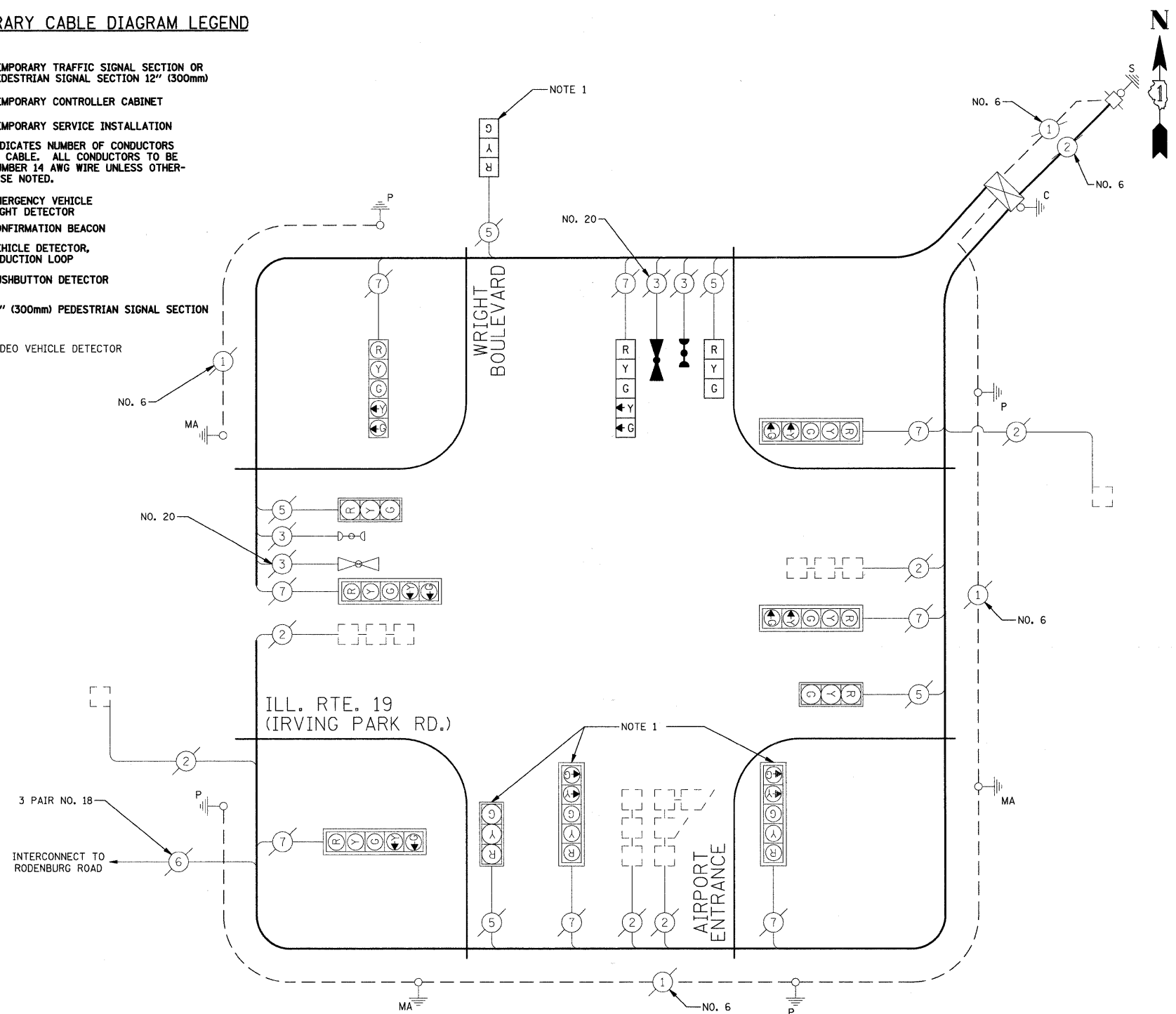
PROPOSED EMERGENCY VEHICLE PREEMPTORS		
EMERGENCY VEHICLE PREEMPTOR	3	4
MOVEMENT	← →	↑ ↓

### PHASE DESIGNATION DIAGRAM

NOTE: PHASES 3 AND 8 SHALL APPEAR AND TERMINATE SIMULTANEOUSLY THROUGHOUT THE DURATION OF THE SOUTHBOUND WRIGHT BOULEVARD CLOSURE. PHASES 4 AND 7 SHALL BE TURNED OFF.

### TEMPORARY CABLE DIAGRAM LEGEND

- 
- 
- 
- 
- 
- 
- 
- 
- 
- 



TEMPORARY CABLE PLAN  
NOT TO SCALE

NOTES:  
1. THESE SIGNAL HEADS SHALL BE BAGGED AND PHASES 4 AND 7 DISCONNECTED THROUGHOUT THE DURATION OF THE SOUTHBOUND WRIGHT BOULEVARD CLOSURE.

NOTE:  
THE TRAFFIC SIGNAL CONTROLLER EQUIPMENT FOR THIS PROJECT SHALL BE "ECONOLITE" TO MATCH THE EXISTING ADJACENT SYSTEM.

I.D.O.T. TRAFFIC SIGNAL INSTALLATION ELECTRICAL SERVICE REQUIREMENTS					TOTAL WATTAGE
TYPE	NO. LAMPS	WATTAGE INCAND.	LED	% OPERATION	
SIGNAL (RED)	13		17	0.50	111
(YELLOW)	13		25	0.25	81
(GREEN)	13		15	0.25	49
ARROW	16		12	0.10	19
CONTROLLER	1		100	1.00	100
FLASHER					0.50
TOTAL =					360

ENERGY COSTS TO: ILLINOIS DEPARTMENT OF TRANSPORTATION  
201 WEST CENTER COURT  
SCHAUMBURG, IL 60196-1096  
CONTACT: MARK GLOECKLE  
PHONE: (630) 691-4529  
COMPANY: COM ED

FILE NAME =	USER NAME = jst	DESIGNED - BRD	REVISED -
J:\2215\oad\shets\Signal\70...LRT196Wright	Temp_Cable_Plan&S00.dgn	DRAWN - OJT	REVISED -
	PLOT SCALE = 50,0000' / IN.	CHECKED - JJE	REVISED -
	PLOT DATE = 10/15/2009	DATE - 10-16-09	REVISED -

STATE OF ILLINOIS  
DEPARTMENT OF TRANSPORTATION

TEMPORARY CABLE PLAN  
IL ROUTE 19 (IRVING PARK ROAD) AT WRIGHT BOULEVARD

SCALE: N.T.S. SHEET NO. 2 OF 25 SHEETS

F.A.U. RTE.	SECTION	COUNTY	TOTAL SHEETS	SHEET NO.
1351	06-00090-00-PV	COOK	137	70
CONTRACT NO. 63378				
FED. ROAD DIST. NO. 1   ILLINOIS   FED. AID PROJECT ARA-M-8003 (809)				