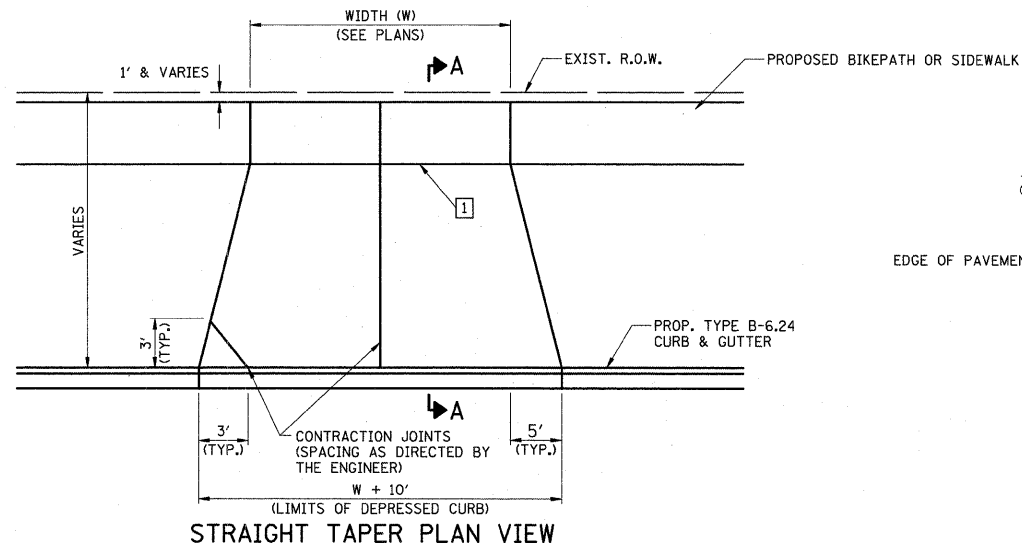
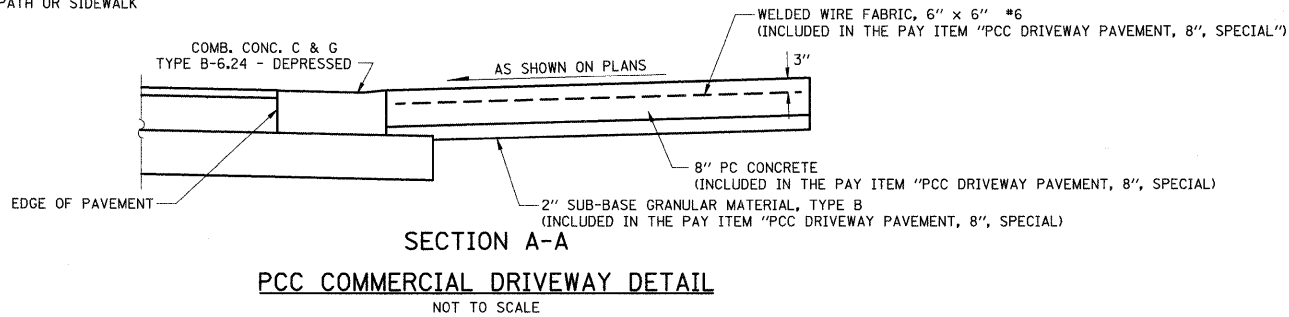


DATE	
BY	
REVISIONS	
NO.	
DATE	
BY	
DESCRIPTION	
NO.	
DATE	
BY	
DESCRIPTION	
NO.	
DATE	
BY	
DESCRIPTION	
NO.	

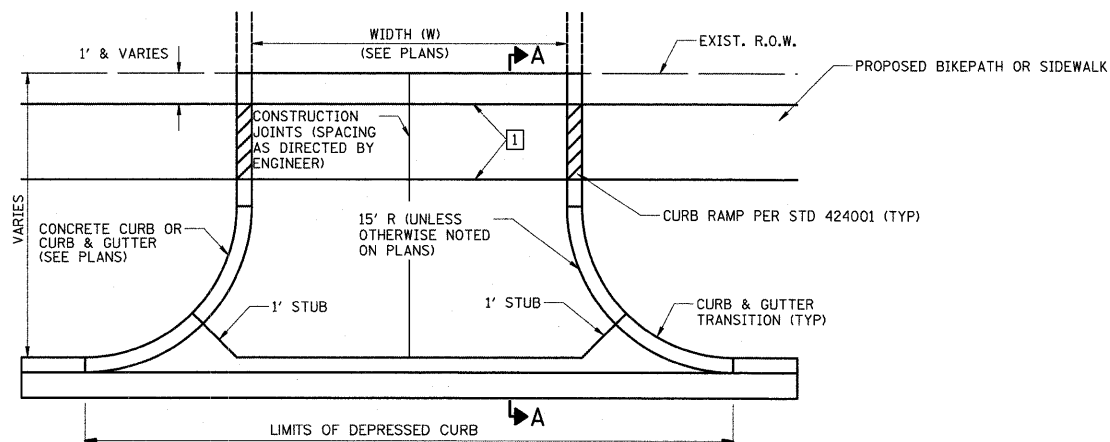
DATE	
BY	
REVISIONS	
NO.	
DATE	
BY	
DESCRIPTION	
NO.	
DATE	
BY	
DESCRIPTION	
NO.	



STRAIGHT TAPER PLAN VIEW



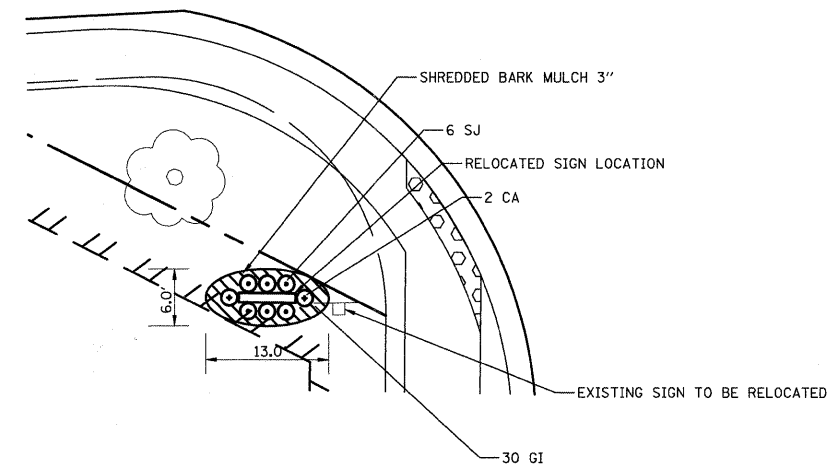
SECTION A-A  
PCC COMMERCIAL DRIVEWAY DETAIL  
NOT TO SCALE



1 JOINTS SHALL BE CONSTRUCTED ACROSS THE DRIVEWAYS. THE NORTH-SOUTH JOINT SHALL MATCH THE WIDTH AND THE OFFSET OF THE PROPOSED BIKEPATH OR SIDEWALK. THE EAST-WEST JOINTS SHALL MATCH THE SPACING ON THE ADJACENT BIKEPATH OR SIDEWALK.  
THIS WORK SHALL BE INCLUDED IN THE COST OF PCC DRIVEWAY PAVEMENT, 8 INCH, SPECIAL.

PLANT LIST

SYMBOL	BOTANIC NAME/COMMON NAME	SIZE	QUANTITY
SJ	SPIREA JAPONICA LITTLE PRINCESS SPIREA	2' height	6
CA	CALAMAGROSTIS ACUTIFLORA KARL FORSTER FEATHER REED GRASS	1 gallon	2
GI	GERANIUM IBERICUM JOHNSON'S BLUE GERANIUM	1 gallon	30



RELOCATED SIGN PLANTING BED DETAIL  
1\"/>

FILE NAME = ...\\ced\sheets\2215\_Detail.01.dgn

USER NAME = krk

DESIGNED - DJK

REVISED -

DRAWN - DJK

REVISED -

CHECKED - KRK

REVISED -

PLOT DATE = 10/29/2009

DATE - 10-16-09

REVISED -

STATE OF ILLINOIS  
DEPARTMENT OF TRANSPORTATION

CONSTRUCTION DETAILS

SHEET NO. 1 OF 3 SHEETS

F.A.U. RTE.	SECTION	COUNTY	TOTAL SHEETS	SHEET NO.
1351	06-00090-00-PV	COOK	137	108
CONTRACT NO. 63378				
FED. ROAD DIST. NO. 1 ILLINOIS FED. AID PROJECT ARA-M-8003 (809)				