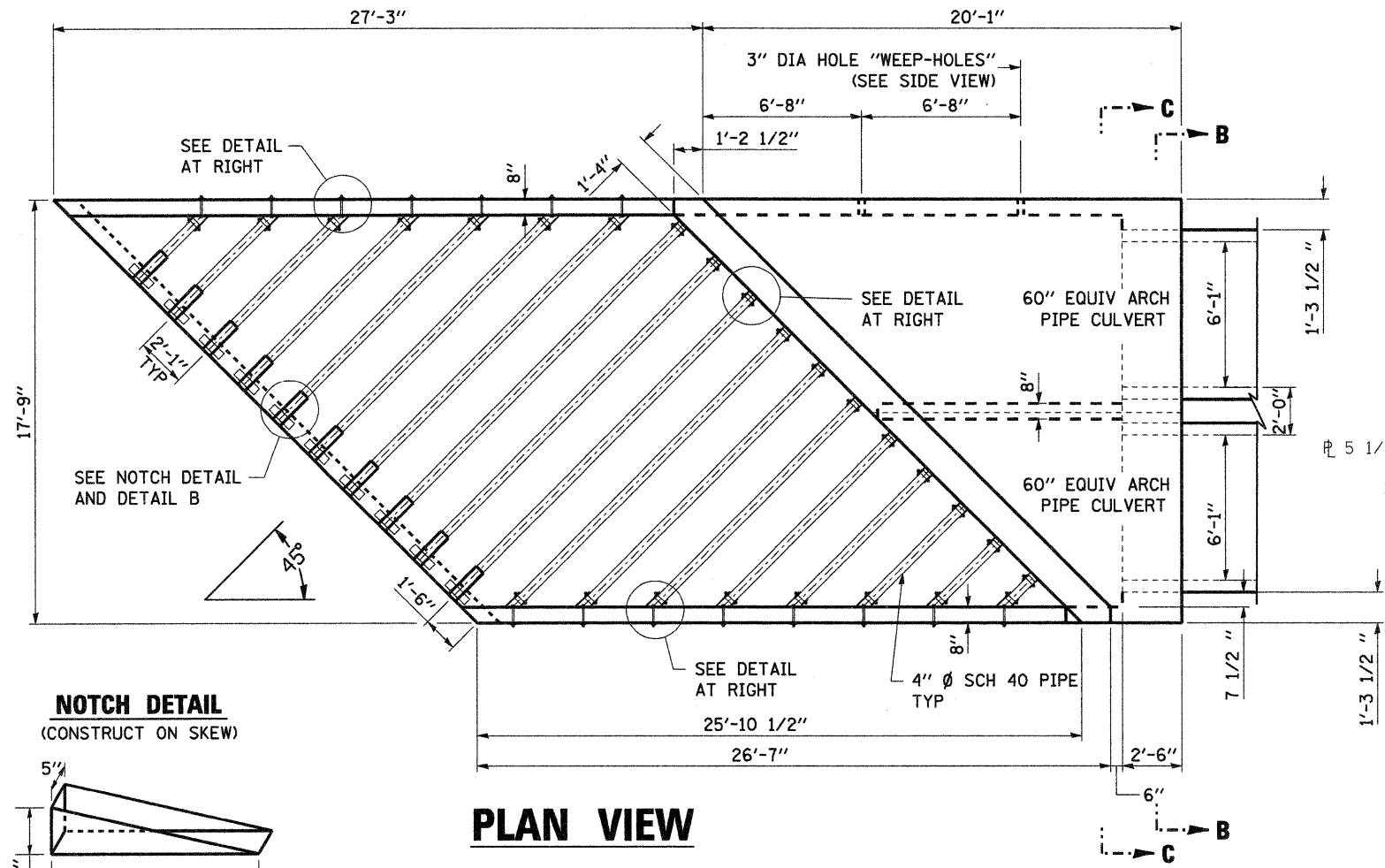


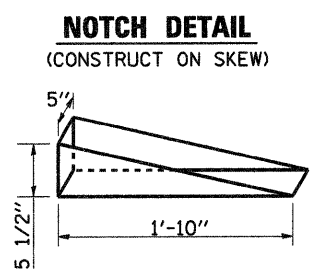
GRATED CULVERT EXTENSION, NO. 1

SN 043-1041 - RT & LT STA. 897+77.46 (IL RTE 78)

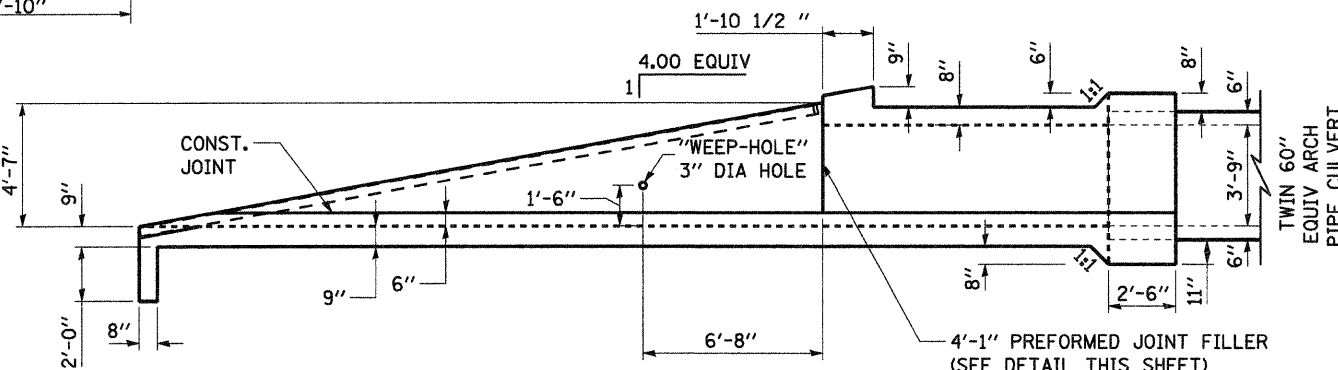
CULVERT @ 45° SKEW TO RDWY



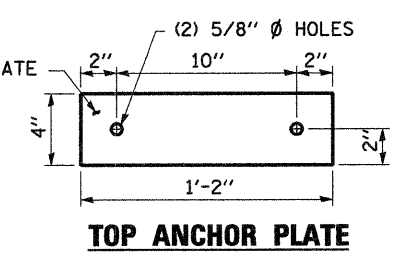
PLAN VIEW



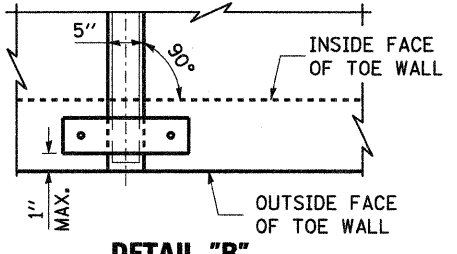
NOTCH DETAIL
(CONSTRUCT ON SKEW)



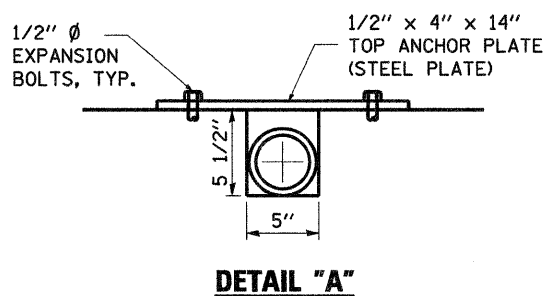
SIDE VIEW



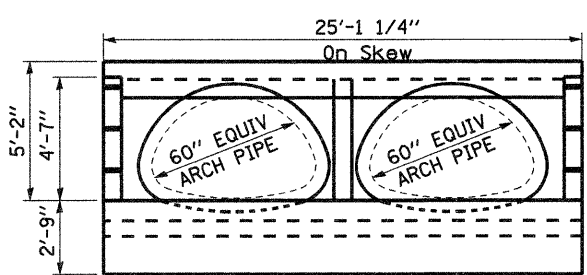
TOP ANCHOR PLATE



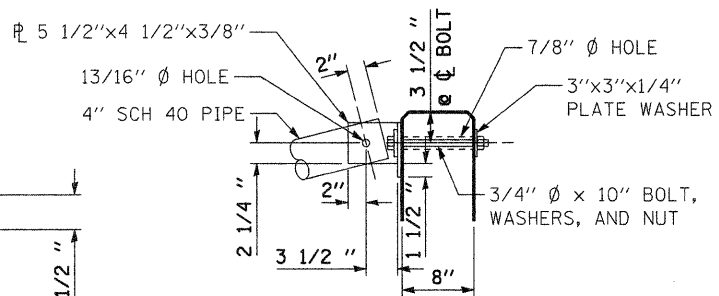
DETAIL "B"



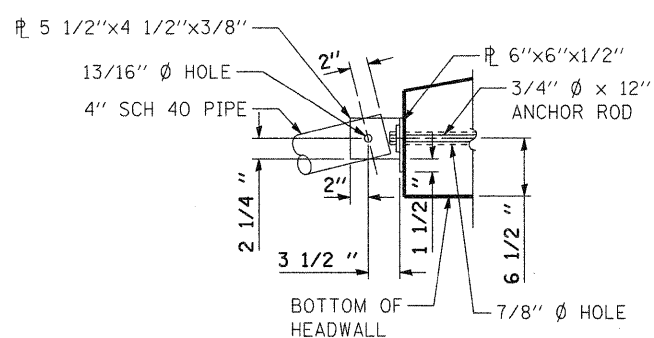
DETAIL "A"



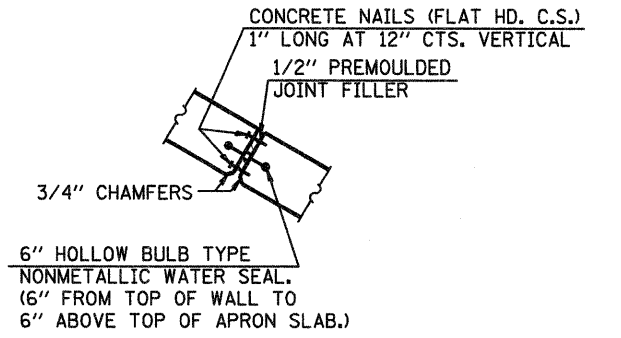
END VIEW



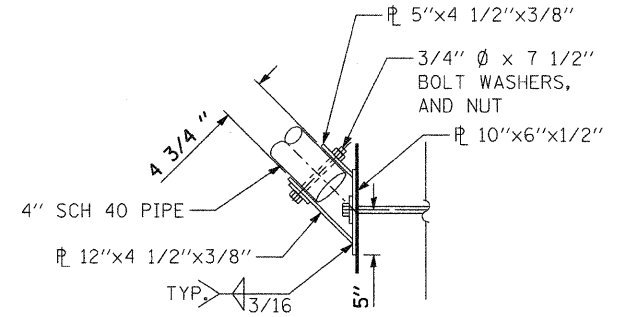
ELEVATION AT WINGWALL
(15 REQUIRED)



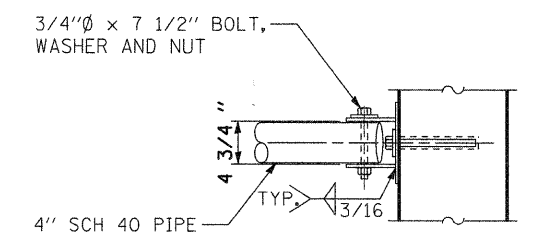
ELEVATION AT HEADWALL
(11 REQUIRED)



PREFORMED JOINT FILLER DETAIL



PLAN AT WINGWALL
(15 REQUIRED)



PLAN AT HEADWALL
(11 REQUIRED)

TO THE BEST OF MY KNOWLEDGE, INFORMATION AND BELIEF, THIS DESIGN CONFORMS TO THE AASHTO ROADSIDE DESIGN GUIDE. THE DESIGN IS AN ECONOMICAL ONE FOR THE STYLE OF STRUCTURE AND COMPLIES WITH REQUIREMENTS OF THE CURRENT "AASHTO STANDARD SPECIFICATIONS FOR HIGHWAY BRIDGES".



COMPANY NAME: SEC GROUP, INC.
PROJECT CONTACT: ROBERT DAVIS
DATE PLOTTED: 8/4/2009 10:01:55 AM
FILE NAME: IL-78-897
PLOT DRIVER: pdf2400
PEN TABLE: SStruct.tbl



USER NAME = whaad	DESIGNED - MGH	REVISED -
PLOT SCALE =	DRAWN - WJH	REVISED -
PLOT DATE = 8/4/2009	CHECKED - RGD	REVISED -
	DATE - 4/22/2009	REVISED -

STATE OF ILLINOIS
DEPARTMENT OF TRANSPORTATION

GRATED CULVERT EXTENSION, NO. 1 RT & LT STA. 897+77.46
SHEET 1 OF 3

F.A.P. RTE. 650	SECTION 104T-2	COUNTY JODAVIES	TOTAL SHEETS 53	SHEET NO. 25
CONTRACT NO. 64C79				
FED. ROAD DIST. NO. ILLINOIS FED. AID PROJECT				