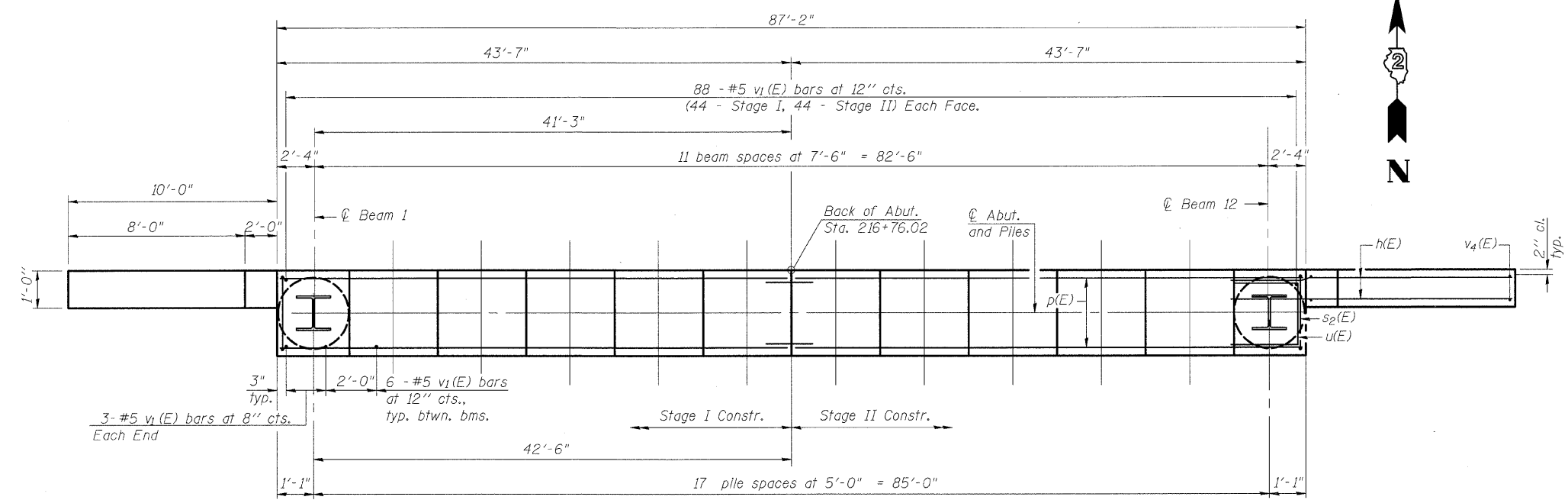
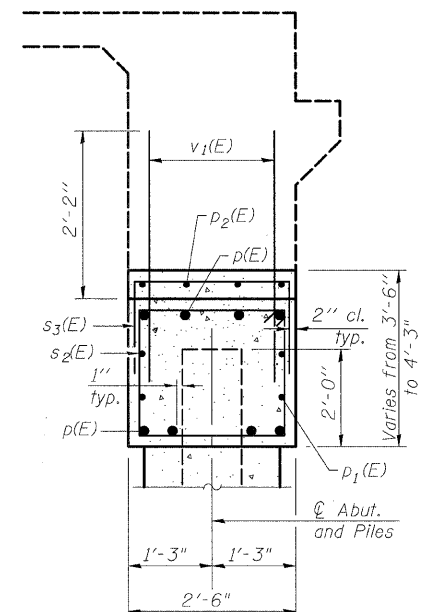
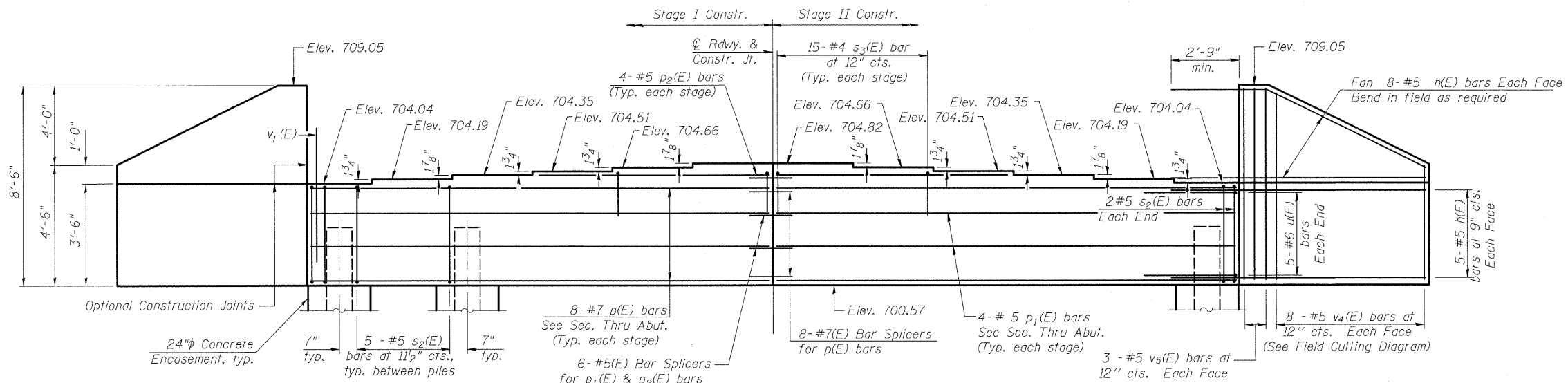


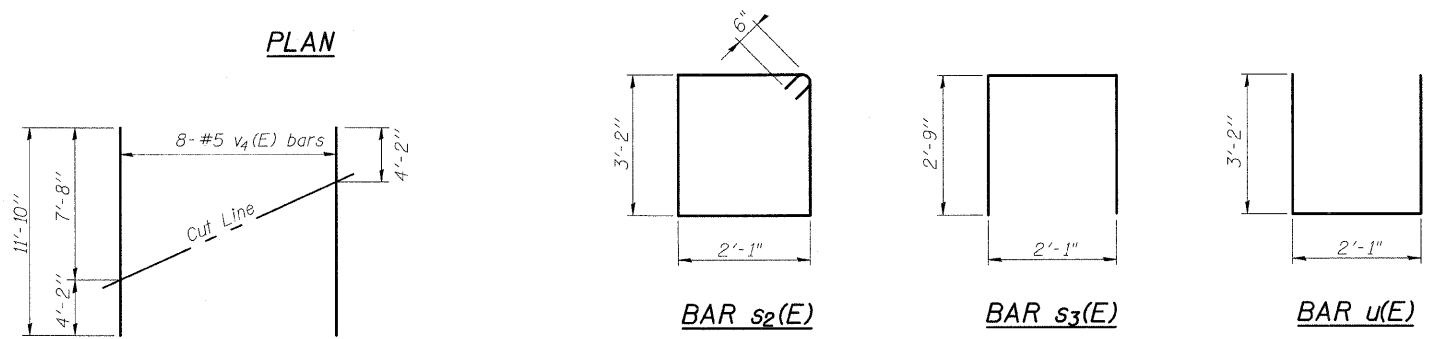
STATE OF ILLINOIS
DEPARTMENT OF TRANSPORTATION



PILE DATA

Type: HP 12x63
Nominal Required Bearing: 480 Kips
Factored Resistance Available: 240 Kips
Est. Length: 72'-0"
No. Production Piles: 17
No. Test Piles: 1

DESIGNED	PRD
CHECKED	WAT
DRAWN	RTG/PRD
CHECKED	ASP



BILL OF MATERIAL

Bar	No.	Size	Length	Shape
$h(E)$	26	#5	12'-7"	—
$p(E)$	16	#7	43'-5"	—
$p_1(E)$	8	#5	43'-5"	—
$p_2(E)$	8	#5	22'-6"	—
$s_2(E)$	89	#5	11'-6"	□
$s_3(E)$	30	#4	7'-7"	□
$u(E)$	10	#6	8'-5"	—
$v_1(E)$	176	#5	4'-4"	—
$v_4(E)$	16	#5	11'-10"	—
$v_5(E)$	12	#5	8'-2"	—
Structure Excavation	Cu. Yd.		41	
Concrete Structures	Cu. Yd.		36.4	
Reinforcement Bars, Epoxy Coated	Pound		4560	
Furnishing Steel Piles, HP12x63	Foot		1224	
Driving Piles	Foot		1224	
Test Pile, HP12x63	Each		1	
Concrete Encasement	Cu. Yd.		6.3	

Notes:
Pour steps monolithically with cap.
For details of Bar Splicers, see sheet 19 of 21.
For details of piles and Concrete Encasement, see sheet 18 of 21.
Reinforcement bars designated (E) shall be epoxy coated.

**NORTH ABUTMENT
STRUCTURE NO.101-0184**

SHEET NO. 18 OF 22 SHEETS	F.A.P. RTE.	SECTION	COUNTY	TOTAL SHEETS	SHEET NO.
	742	34BR-1	WINNEBAGO	78	53
	CONTRACT NO. 64E68				
FED. ROAD DIST. NO. 2 ILLINOIS FED. AID PROJECT					

DLZ DLZ Illinois, Inc.
85 W. Algonquin Rd. Ste. 220
Arlington Heights IL 60005