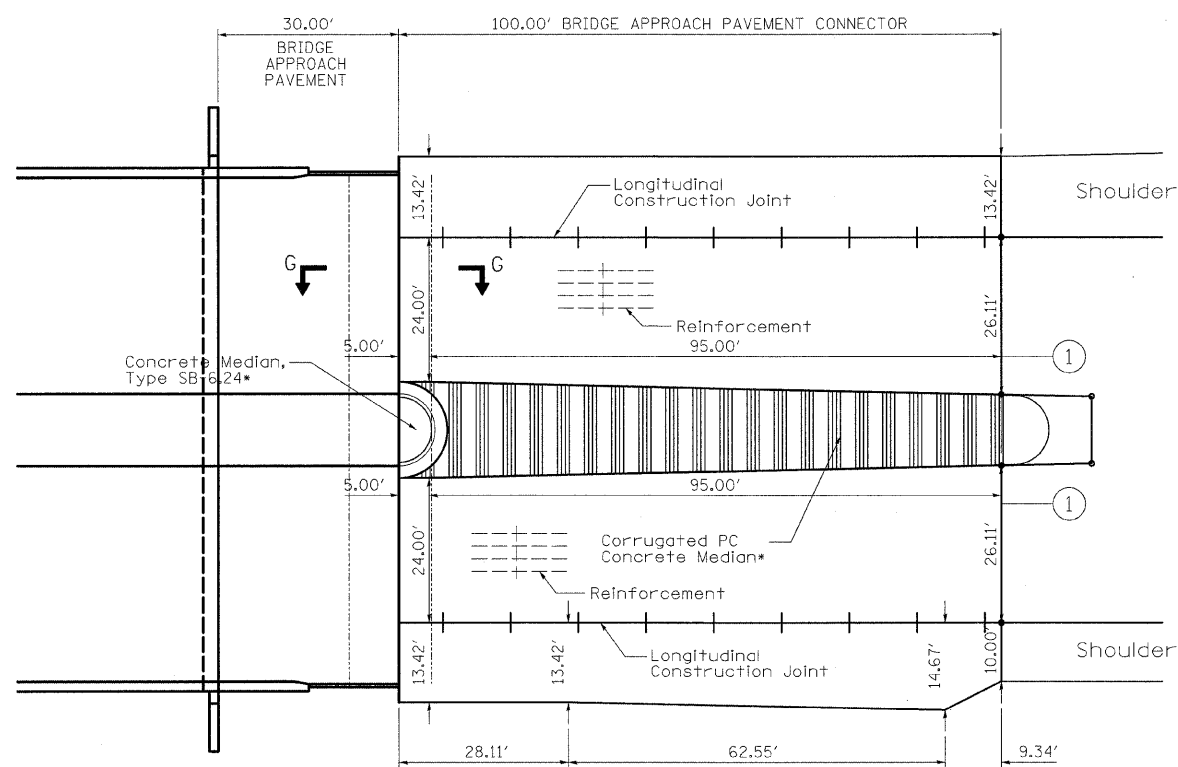
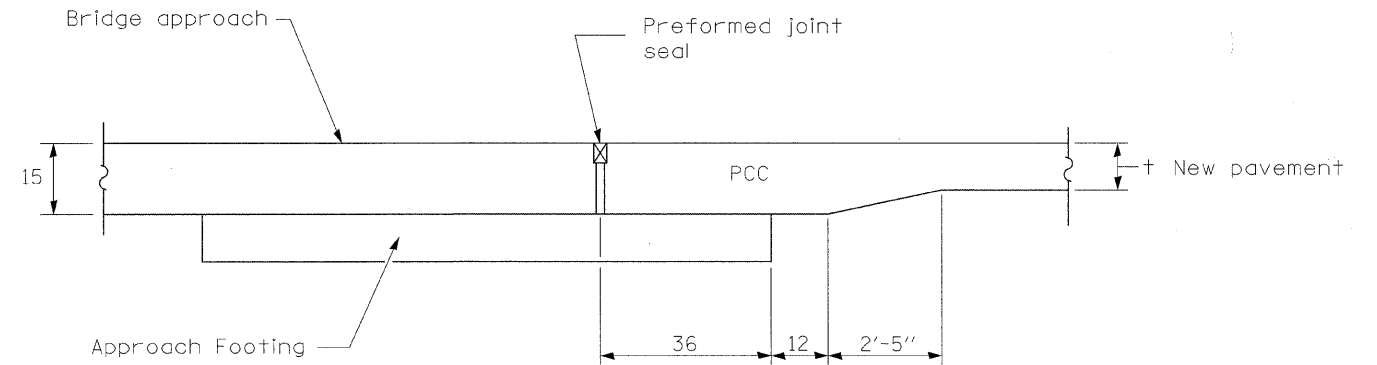


PLAN - SOUTH END OF BRIDGE



PLAN - NORTH END OF BRIDGE



SECTION G-G

① 2 Trans. Exp. Joint as detailed on Standard 420001.

- Not Included in Cost of Bridge Approach Pavement Connector, but shall be paid for separately.
- Transition Gutter Flag and Curb Height in 12' to match median on bridge.

GENERAL NOTES

THICKNESS-"t"=Thickness of Pavement.

See Standard 421001 for reinforcement details not shown.

See Standard 420001 for joint details not shown.

See plans for details of bridge approach, approach footing and preformed joint seal.

All dimensions are in inches unless otherwise shown.