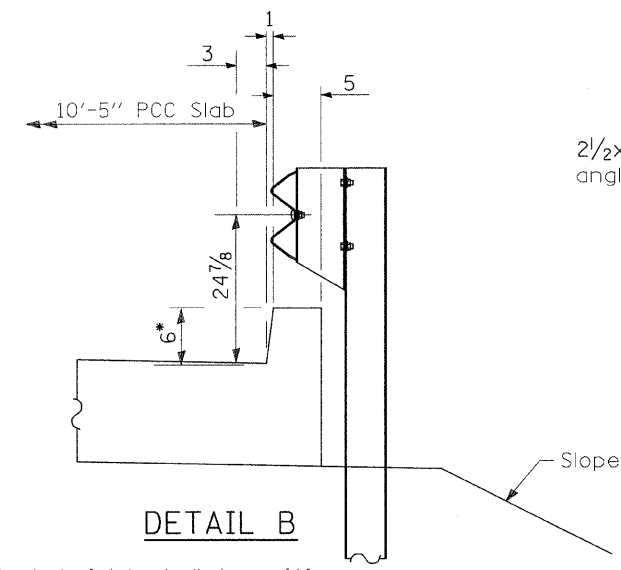
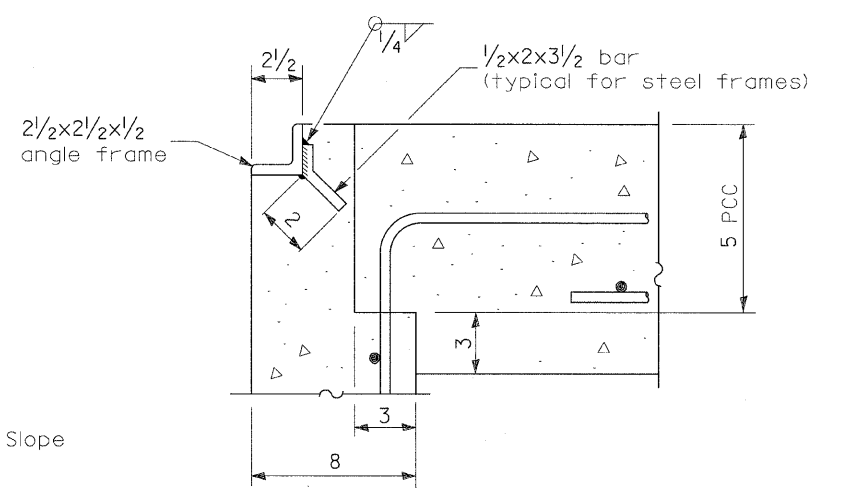


PLAN

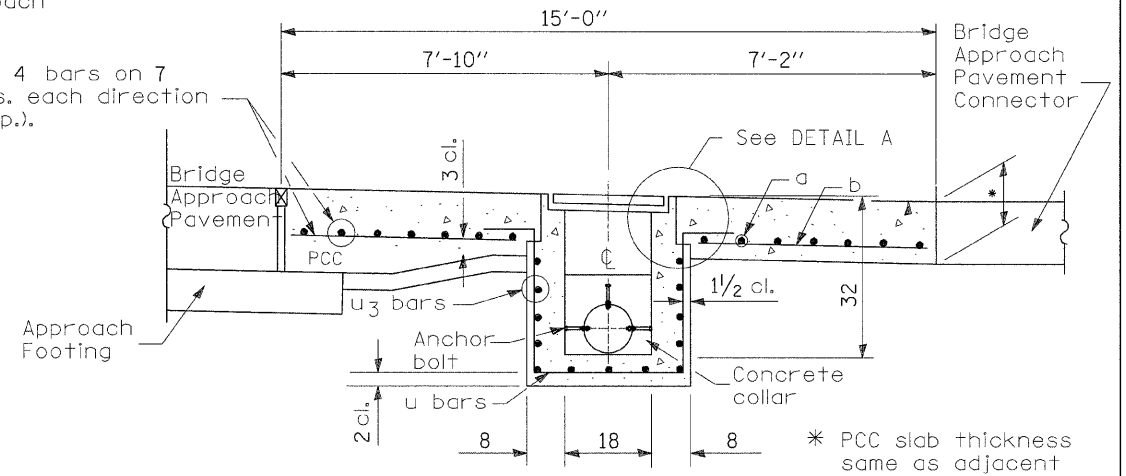


DETAIL B



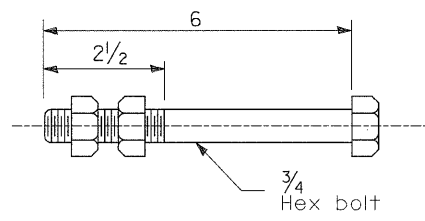
DETAIL A

No. 4 bars on 7 cts. each direction (typ.).



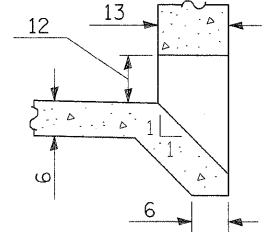
SEC. A-A

* PCC slab thickness same as adjacent bridge approach pavement connector

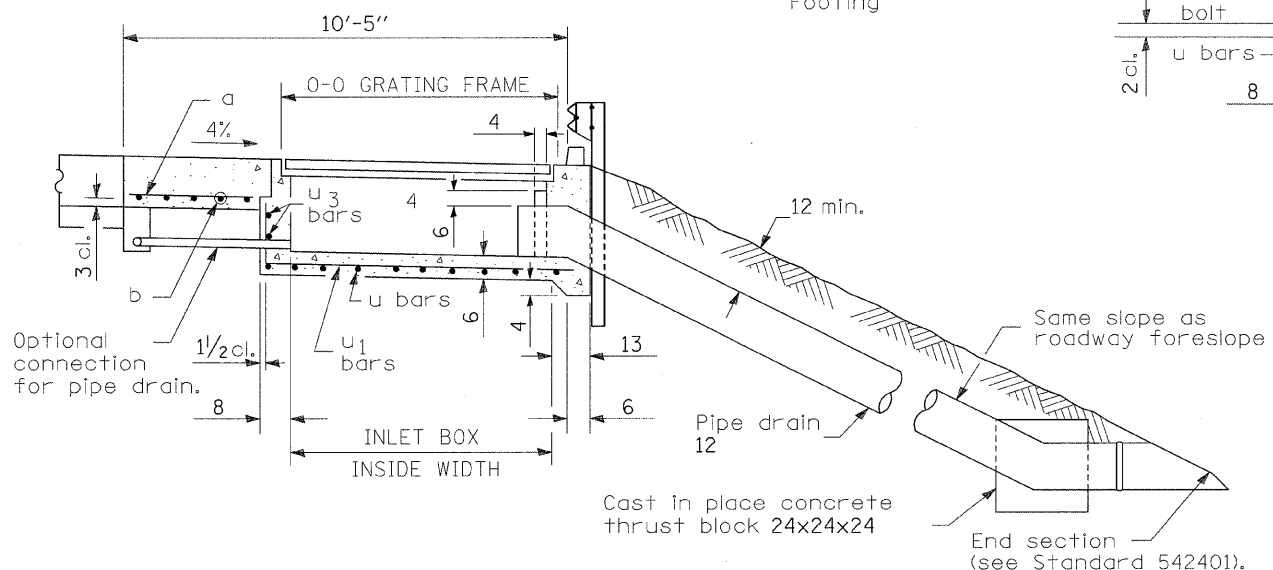


ANCHOR BOLT

(Used to tie pipe to concrete collar)



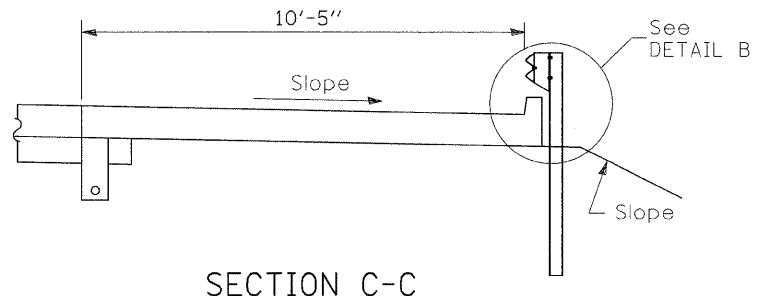
BOX OUTLET WHEN PRECAST



SEC. B-B

Cast in place concrete thrust block 24x24x24

End section (see Standard 542401).



SECTION C-C

GENERAL NOTES

See Standard 420001 for joint details not shown.

All exposed edges of the inlet, except the upper perimeter, shall be beveled 3/4.

For placement of drainage elements on existing construction with existing rigid pavement, substitute expansion anchor ties for tie bars. For nonrigid pavements or monolithic construction of pcc slab and shoulder, omit tie bars.

See bridge plans for details of bridge approach, approach footing and preformed joint seal.

All dimensions are in inches unless otherwise shown.

INLET TYPE	SHOULDER WIDTH	0-0 GRATING FRAME	INLET BOX INSIDE WIDTH	INLET BOX INSIDE LENGTH
Type F	10'-5"	6'-5"	6'-0"	18