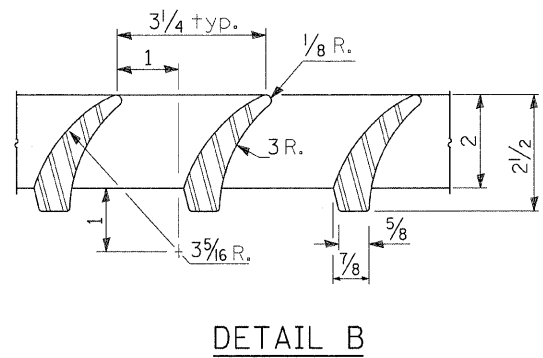
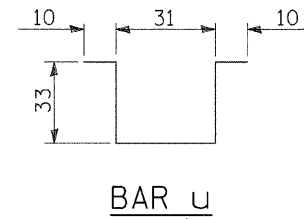


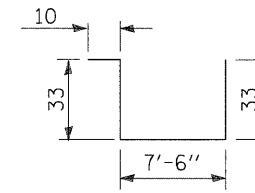
DETAIL OF CAST GRATE
Requires 3 grates



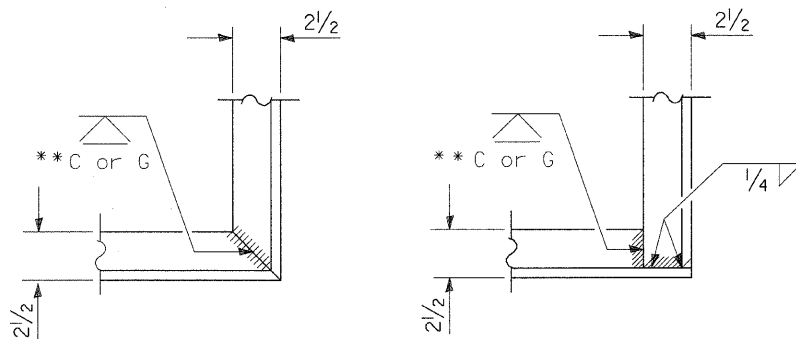
DETAIL B



BAR U



BARS u₁

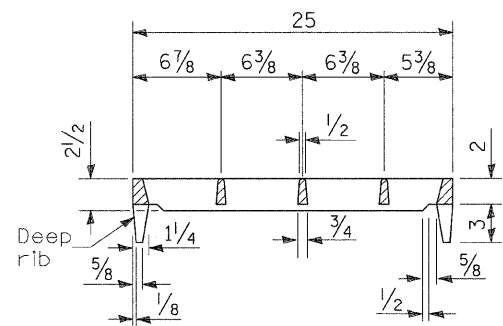


ALT. 1

ALT. 2

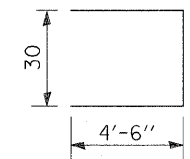
TYPICAL CORNER of STEEL GRATING FRAME

** Cut or Grind flush

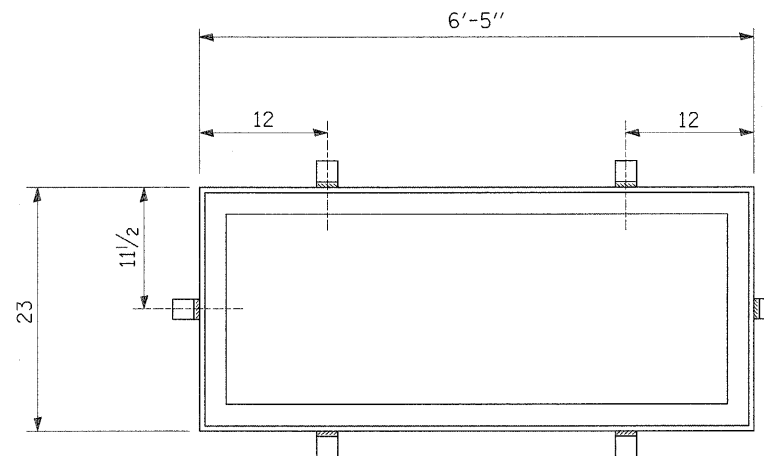


SECTION X-X

(Deep rib shall be omitted for end(s) resting on frame perimeter)



Bars u₃



DETAIL OF STEEL FRAME

Cast frame to have same basic dimensions.

REQUIRED MATERIAL				
TYPE F				
Bar	Qty.	Size	Shape	Length
a ₁₀	21	No. 4	—	10'-1"
a ₁₁	5	No. 4	—	2'-11"
b ₁₀	6	No. 4	—	14'-8"
b ₁₁	12	No. 4	—	6'-1"
b ₁₂	12	No. 4	—	5'-5"
u	8	No. 4	U	9'-9"
u ₁	3	No. 4	U	13'-10"
u ₃	6	No. 4	□	11'-6"
Concrete	cu. yds.			6.5
Reinf. bars	lbs.			455.1
Grating	sq. ft.			10.9