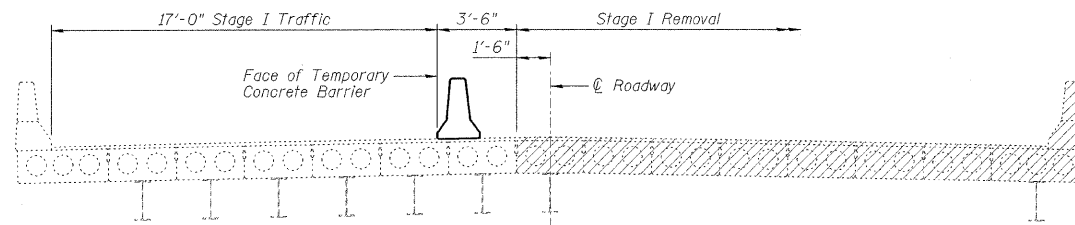
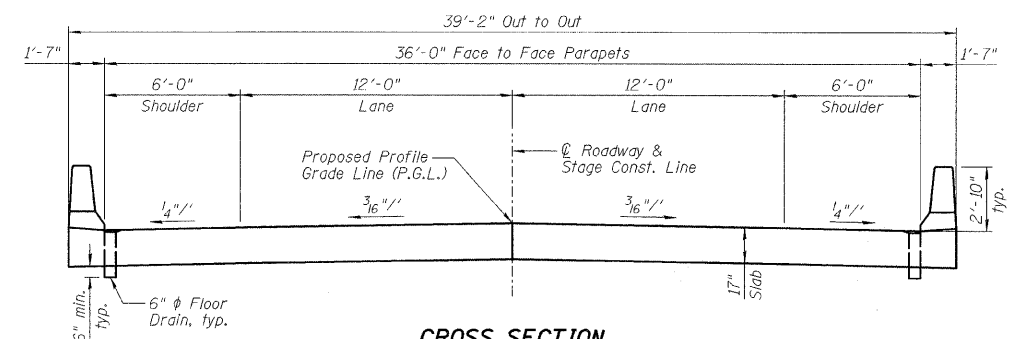


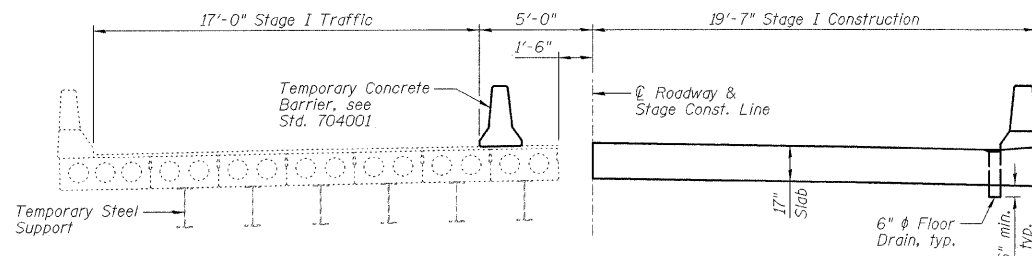
STATE OF ILLINOIS
DEPARTMENT OF TRANSPORTATION



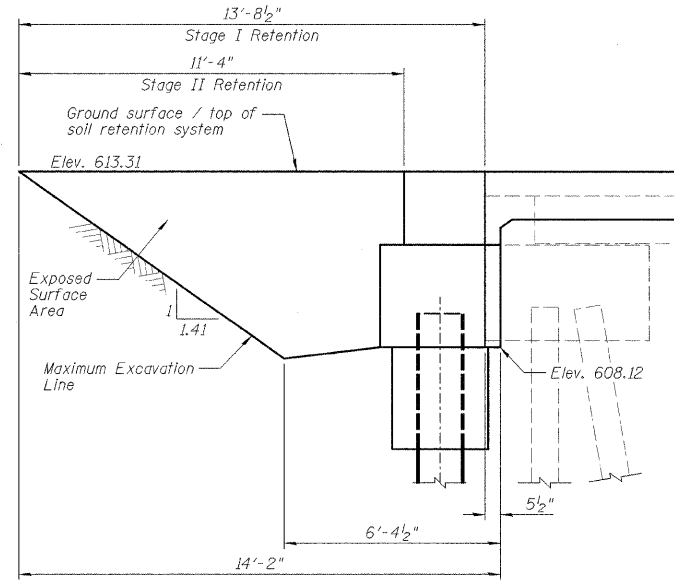
STAGE I REMOVAL
(Looking East @ Bridge)



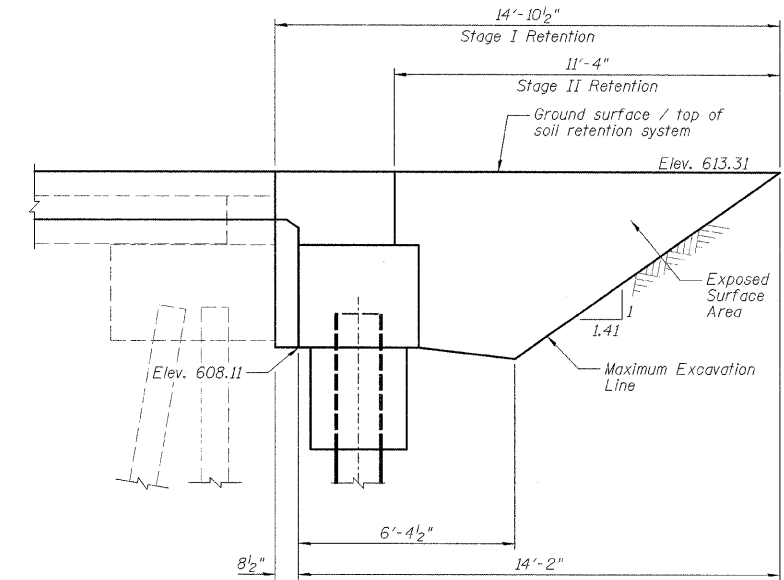
CROSS SECTION
(Looking East)



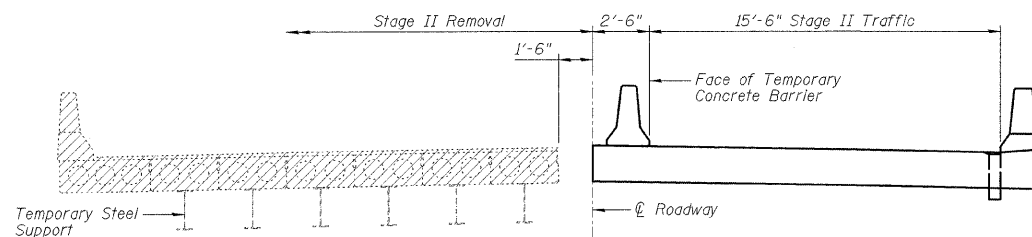
STAGE I CONSTRUCTION
(Looking East @ Bridge)



WEST ABUTMENT



EAST ABUTMENT



STAGE II REMOVAL
(Looking East @ Bridge)

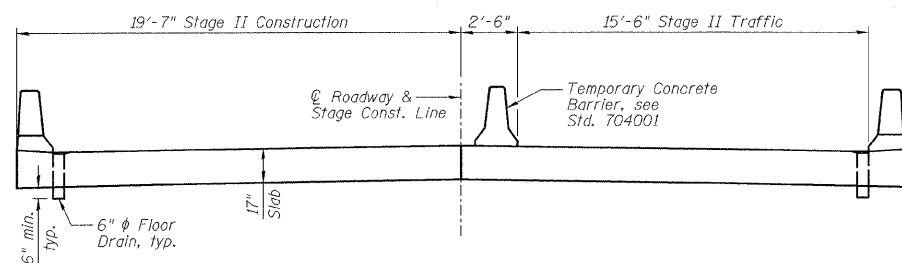
TEMPORARY SOIL RETENTION SYSTEM

NOTES:

- 1.) A cantilever sheet piling design does not appear feasible and additional members or other retention systems may be necessary. The Contractor shall submit a temporary soil retention system design including plan details and calculations for review and acceptance by the Engineer.
- 2.) All dimensions are along Roadway unless otherwise noted.

BILL OF MATERIAL

Item	Unit	Quantity
Temporary Soil Retention System	Sq. Ft.	112



STAGE II CONSTRUCTION
(Looking East @ Bridge)

NOTES:

- 1.) Hatched area indicates removal of the existing PPC deck beam superstructure. Removal of the existing bituminous wearing surface shall be included with Removal of Existing Structures.
- 2.) See Sheet B5 for Temporary Concrete Barrier (Standard 704001). See Roadway Plans for quantity.

**STAGE CONSTRUCTION
STRUCTURE NO. 053-0185**

DESIGNED	SDH
CHECKED	JML
DRAWN	JWK/DJM
CHECKED	MSW

DATE 10/07/09

SHEET NO. B4	F.A.P. RTE.	SECTION	COUNTY	TOTAL SHEETS	SHEET NO.
	41	(15BR-3)-1	LIVINGSTON	45	15
22 SHEETS	SN 053-0185		CONTRACT NO. 66833		
FED. ROAD DIST. NO.		ILLINOIS FED. AID PROJECT			