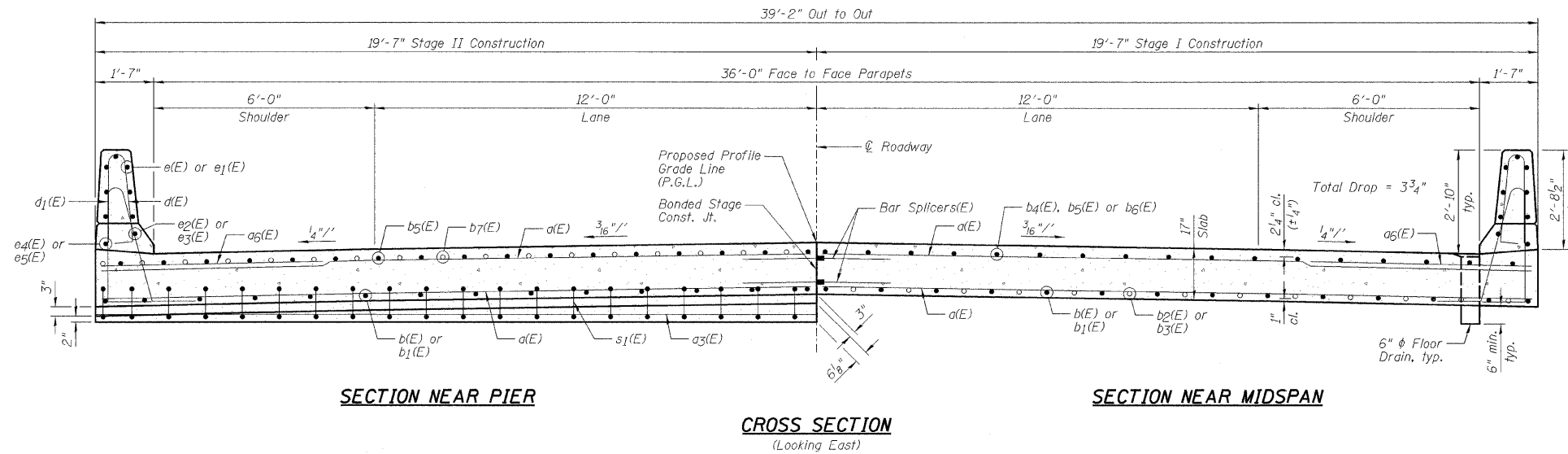


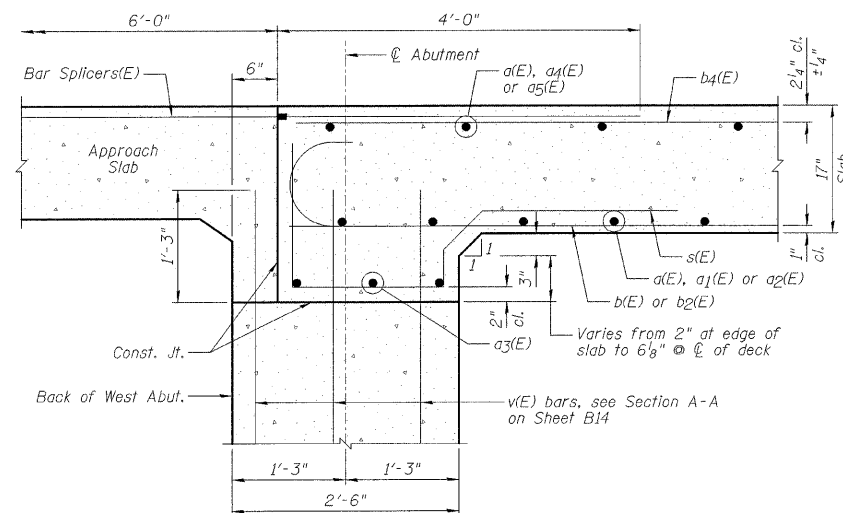
STATE OF ILLINOIS
DEPARTMENT OF TRANSPORTATION



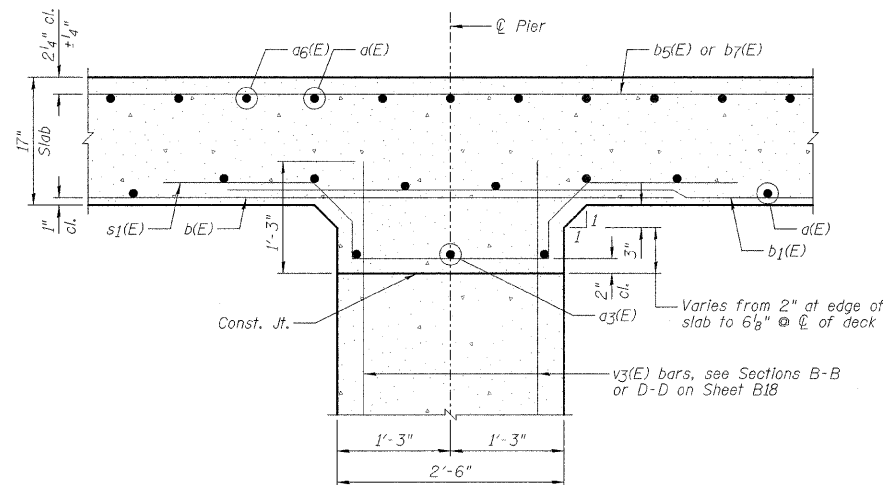
SECTION NEAR PIER

CROSS SECTION
(Looking East)

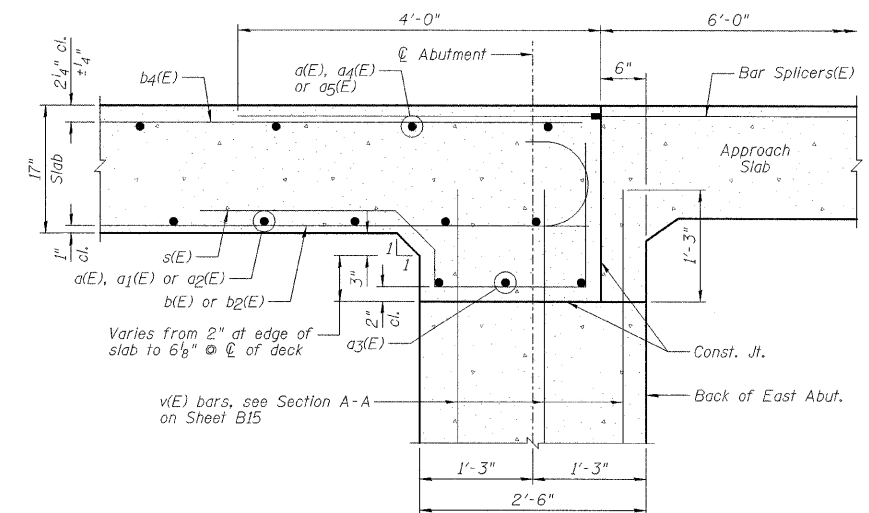
SECTION NEAR MIDSPAN



SECTION A-A



SECTION B-B



SECTION C-C

DESIGNED	SDH
CHECKED	JML
DRAWN	JWK/DJM
CHECKED	MSW

DATE 10/07/09

NOTES:

- 1.) For Section Thru Parapet, see Sheet B11.
- 2.) For locations of Sections A-A thru C-C, see Sheets B8 & B9.

SUPERSTRUCTURE CROSS SECTION
STRUCTURE NO. 053-0185

SHEET NO. B10	F.A.P. RTE.	SECTION	COUNTY	TOTAL SHEETS	SHEET NO.
	41	(15BR-3)-1	LIVINGSTON	45	21
22 SHEETS	SN 053-0185		CONTRACT NO. 66833		
FED. ROAD DIST. NO.		ILLINOIS	FED. AID PROJECT		