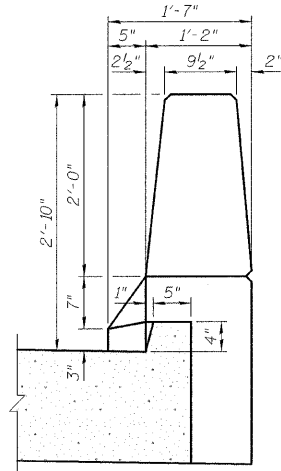
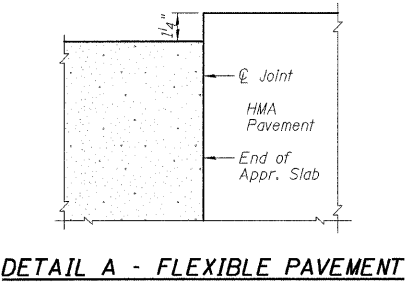
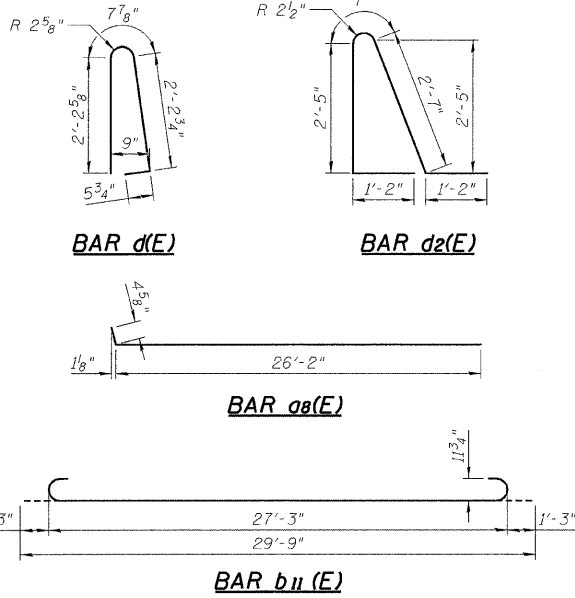


**EAST APPROACH SLAB
BILL OF MATERIAL**

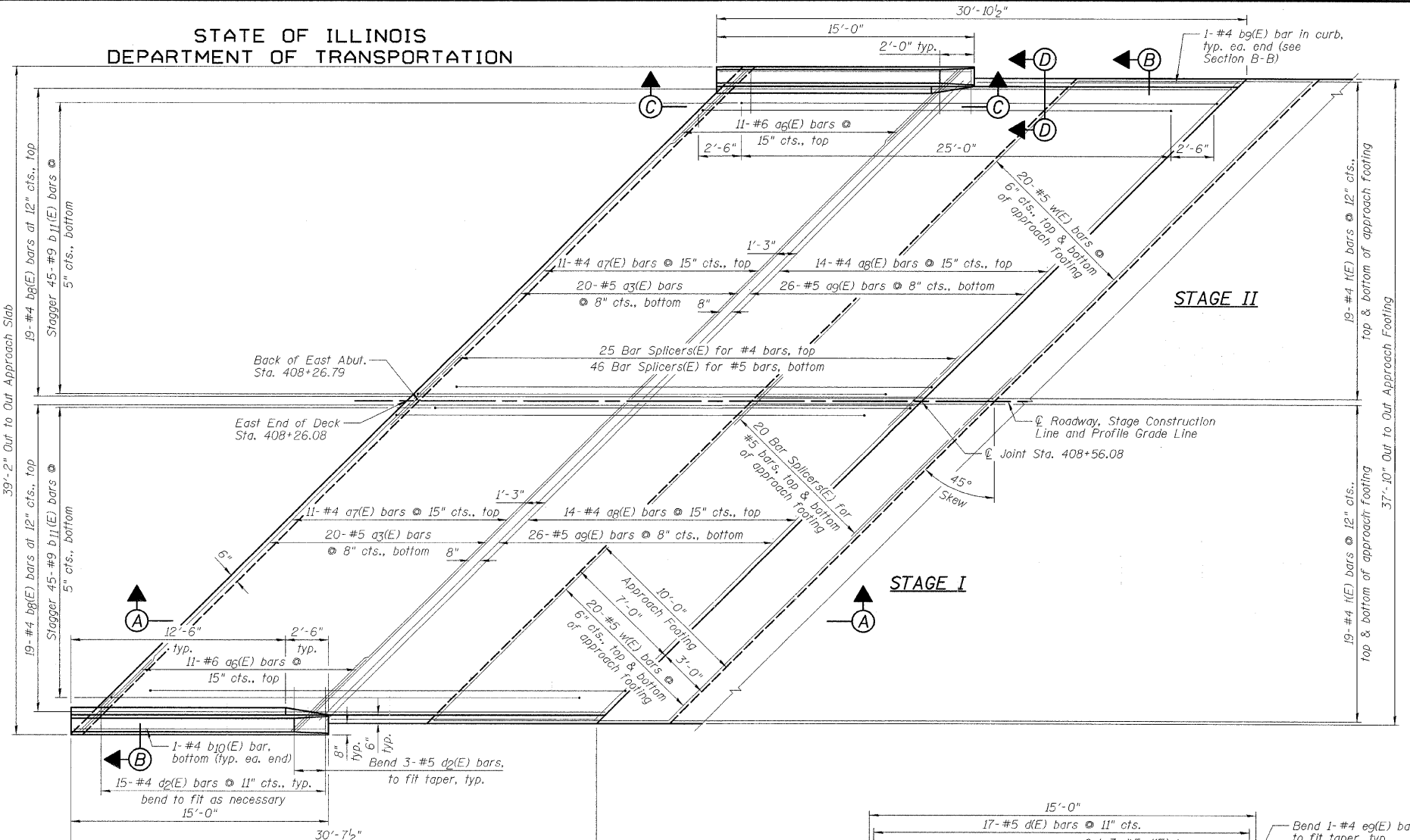
Bar	No.	Size	Length	Shape
a3(E)	40	#5	27'-3"	
a6(E)	22	#6	6'-0"	
a7(E)	22	#4	27'-3"	
a8(E)	28	#4	26'-7"	
a9(E)	52	#5	26'-3"	
bg(E)	38	#4	29'-6"	
b9(E)	2	#4	15'-3"	
b10(E)	2	#4	14'-8"	
b11(E)	90	#9	29'-9"	
d(E)	34	#5	5'-7"	
d2(E)	30	#5	7'-11"	
eg(E)	16	#4	14'-8"	
e10(E)	2	#8	14'-8"	
f(E)	76	#4	13'-8"	
w(E)	80	#5	26'-3"	

Item	Unit	Quantity
Concrete Structures	Cu. Yd.	16.5
Concrete Superstructure	Cu. Yd.	59.0
Bridge Deck Grooving	Sq. Yd.	114
Protective Coat	Sq. Yd.	136
Reinforcement Bars, Epoxy Coated	Pound	17,110

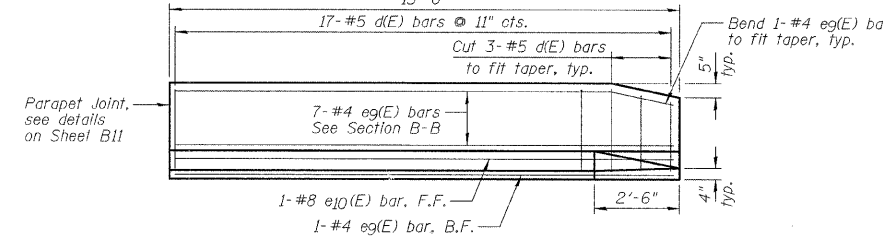


SECTION D-D

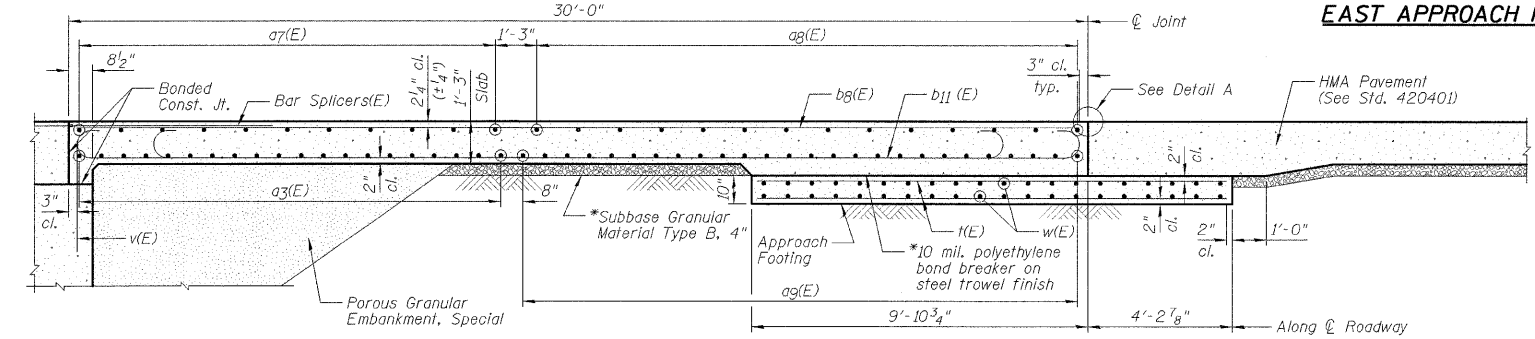
**STATE OF ILLINOIS
DEPARTMENT OF TRANSPORTATION**



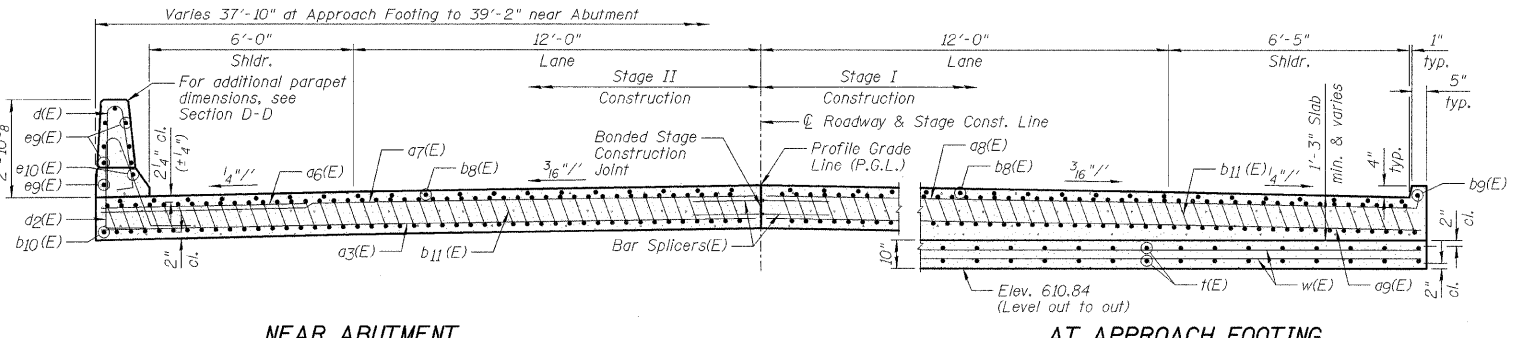
EAST APPROACH PLAN



SECTION C-C



SECTION A-A



NEAR ABUTMENT

SECTION B-B

AT APPROACH FOOTING

NOTES:

- 1.) a3(E) and a6(E) thru a9(E) bar spacings measured perpendicular to C Roadway.
- 2.) Lift #9 b11(E) bars as required to maintain clearance.
- 3.) Approach Slab and parapet concrete shall be paid for as Concrete Superstructure.
- 4.) Approach Footing concrete shall be paid for as Concrete Structures.
- 5.) Reinforcement shall be paid for as Reinforcement Bars, Epoxy Coated.
- 6.) For v(E) bar details, see Sheet B15.
- 7.) The Approach Footing maximum applied service bearing pressure (Qmax) = 2.0 ksf.
- 8.) See Sheet B20 for Bar Splicer Details.
- 9.) Cost of excavation for Approach Footing included with Concrete Structures.
- 10.) For Porous Granular Embankment, Special and drainage treatment details, see Sheets B2 & B3.
- 11.) *Cost included with Concrete Superstructure.

DESIGNED	SDH
CHECKED	JML
DRAWN	JWK/DJM
CHECKED	MSW
DATE	10/07/09

**EAST BRIDGE
APPROACH SLAB DETAILS
STRUCTURE NO. 053-0185**

SHEET NO. B13	F.A.P. RTE.	SECTION	COUNTY	TOTAL SHEETS	SHEET NO.
	41	(15BR-3)-1	LIVINGSTON	45	24
22 SHEETS	SN 053-0185		CONTRACT NO. 66833		
FED. ROAD DIST. NO.		ILLINOIS	ROAD PROJECT		