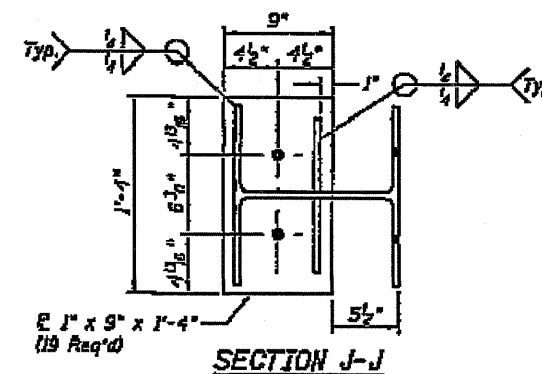
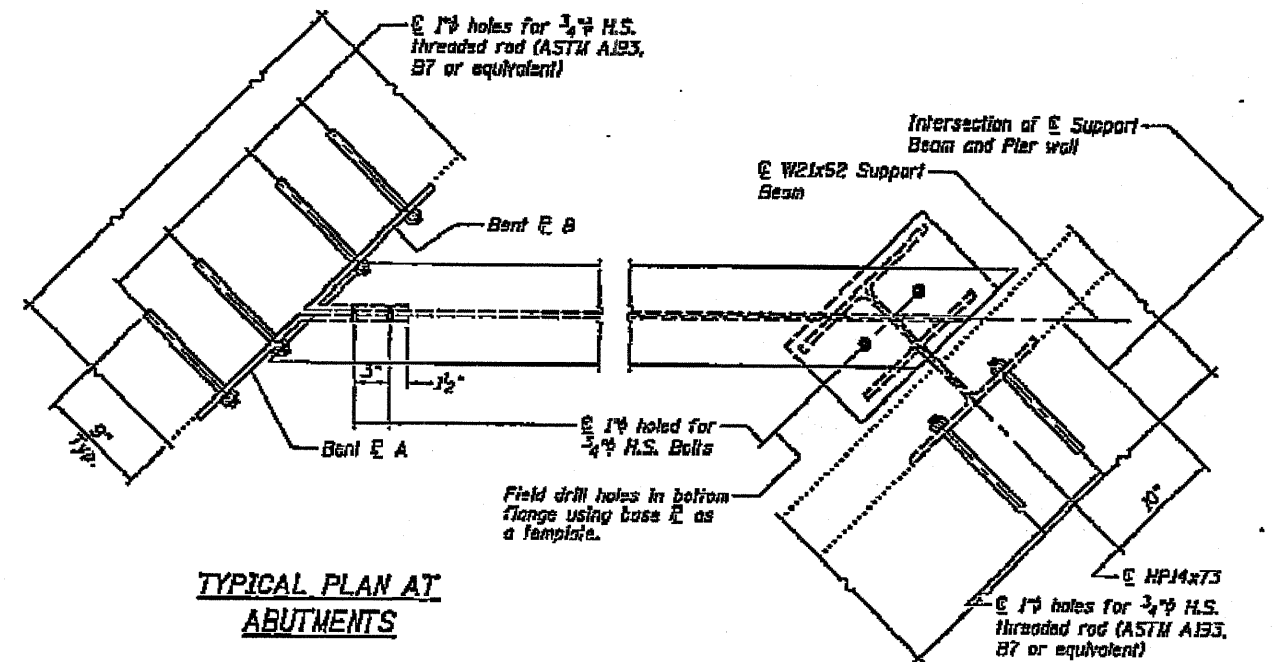
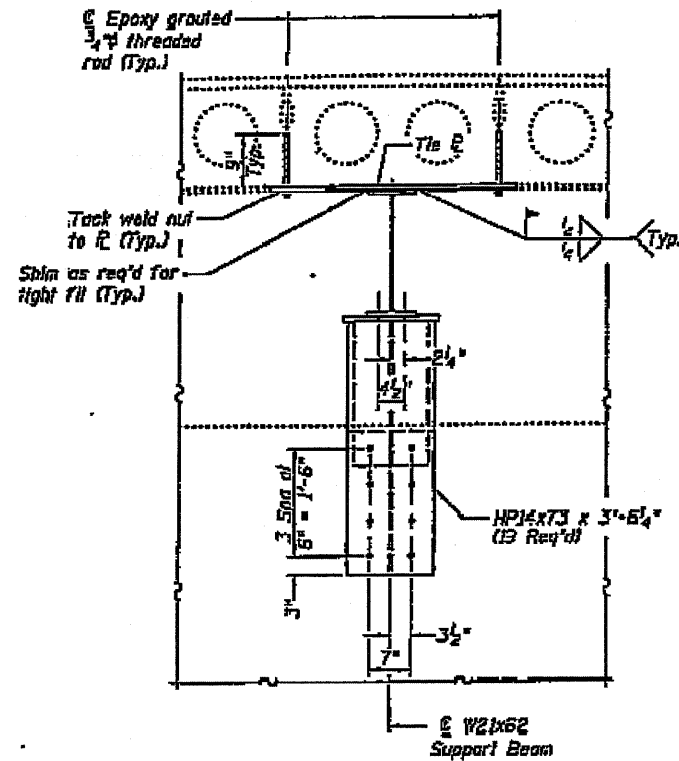
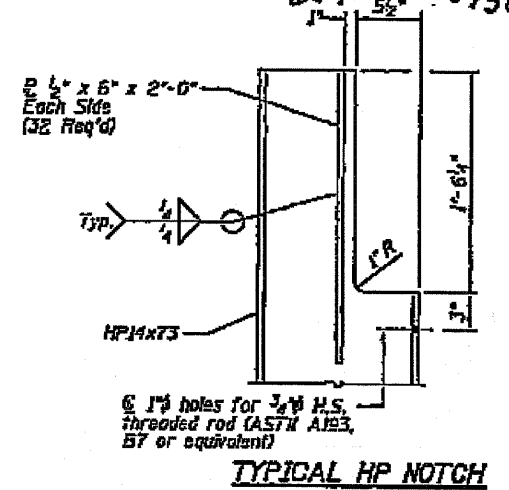
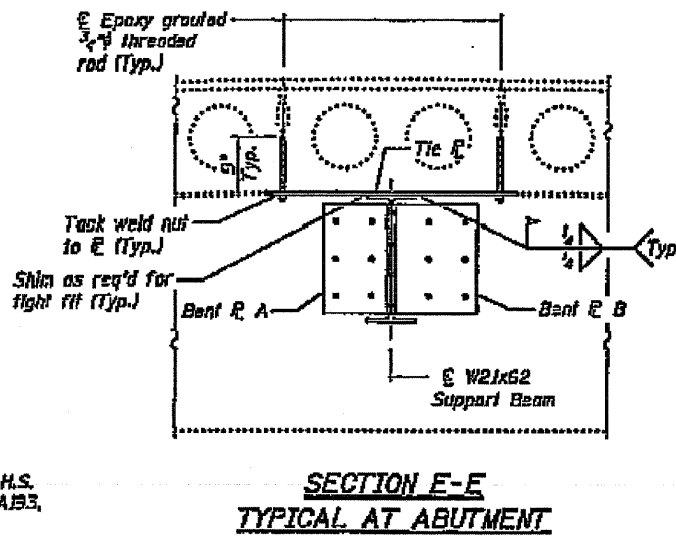
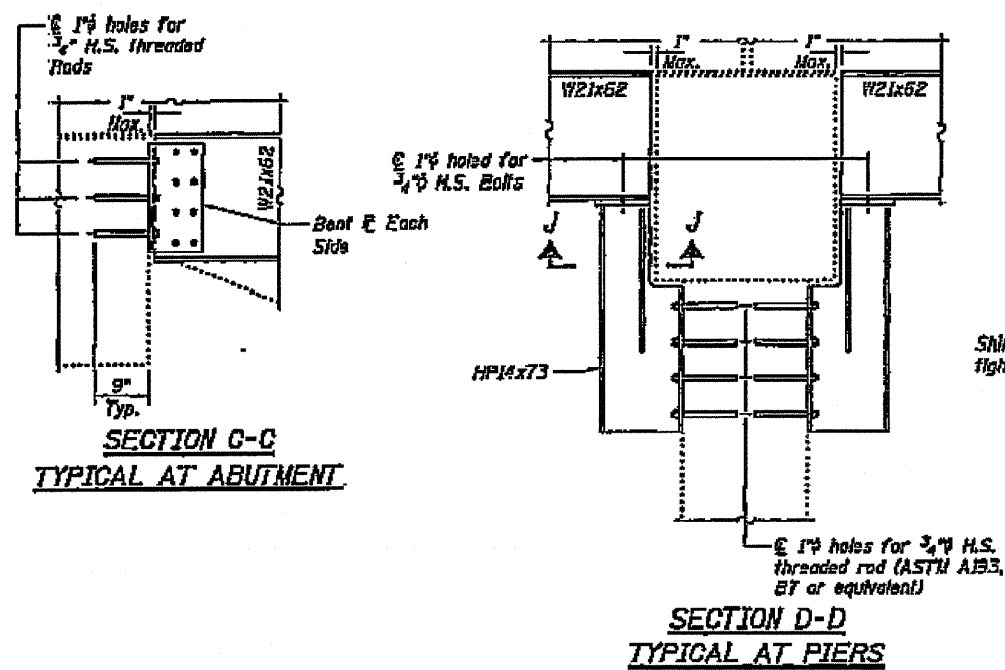


STATE OF ILLINOIS
DEPARTMENT OF TRANSPORTATION

PROJECT NO.	SECTION	COUNTY	TOTAL SHEETS	SHEET NO.
66833	10	LIVINGSTON	45	41
SHEET NO. 2 2 SHEETS				
Contract Number: 66833-15 (BR-2, BR-3)				



DESIGNED	A.J.B.
CHECKED	V.H.V.
DRAWN	Drew Christopher
CHECKED	A.J.B. V.H.V.

December 17, 2008
EXAMINED *Carl Perry*
WASSEN *Ralph E. Anderson*

SUPPORT DETAILS
F.A. RT. 41
LIVINGSTON COUNTY
SN 053-0151

FILE NAME =	USER NAME = duncanbd	DESIGNED -	REVISED -	STATE OF ILLINOIS DEPARTMENT OF TRANSPORTATION	FOR INFORMATION ONLY				F.A.P. RTE.	SECTION	COUNTY	TOTAL SHEETS	SHEET NO.		
ca:\pw\work\p\dot\duncanbd\dms32420\368833-sht-details.dgn		DRAWN -	REVISED -		SCALE:	SHEET NO.	OF	SHEETS	STA.	TO STA.	41	(ISBR-3)-1	LIVINGSTON	45	41
		PLOT SCALE = 50,0000 / IN.	REVISED -												
		PLOT DATE = Oct 08, 2009 - 02:48:47 PM	REVISED -												
												CONTRACT NO. 66833			
												ILLINOIS FED. AID PROJECT			