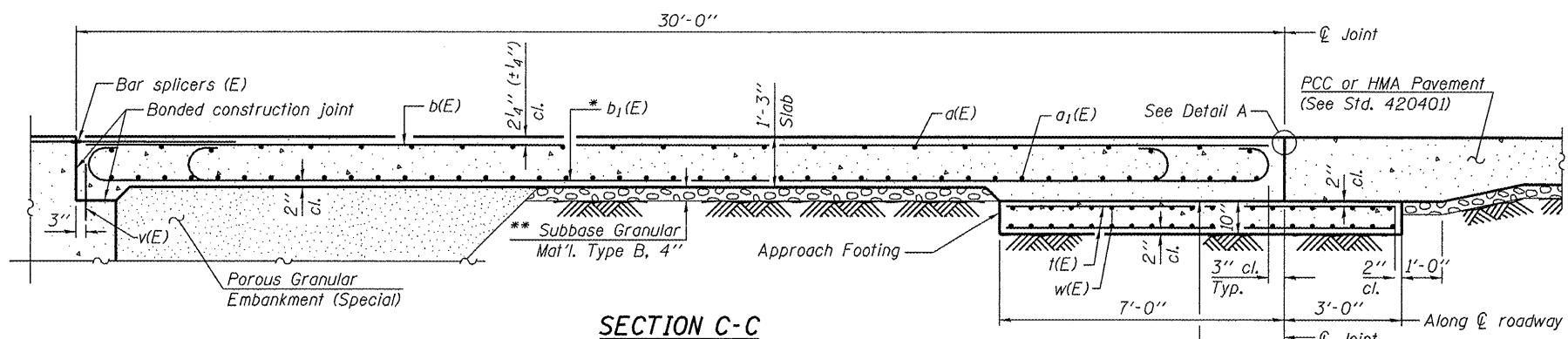


STATE OF ILLINOIS
DEPARTMENT OF TRANSPORTATION

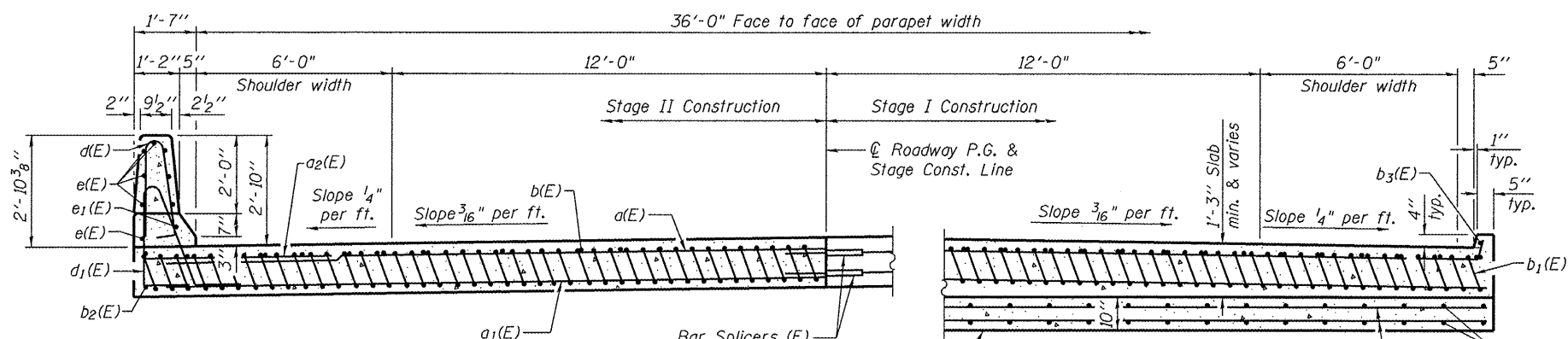
Notes:
See sheet 12 of 25 for Detail A.
Approach slab and parapet concrete shall be paid for as Concrete Superstructure.
Approach footing concrete shall be paid for as Concrete Structures.
Reinforcement shall be paid for as Reinforcement Bars, Epoxy Coated.
For v(E) bar details, see sheet 11 of 25.
The approach footing maximum applied service bearing pressure (Qmax) = 2.0 ksf.
For bar splicer details, see sheet 21 of 25.
Cost of excavation for approach footing included with Concrete Structures.
For Porous Granular Embankment (Special) and drainage treatment details, see sheet 2 of 25.



SECTION C-C

* Tilt #9 b1(E) bars as required to maintain clearance.
** Cost included with Concrete Superstructure.

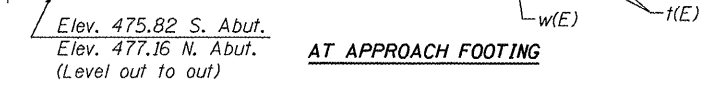
** 10 mil. Polyethylene bond breaker on steel trowel finish



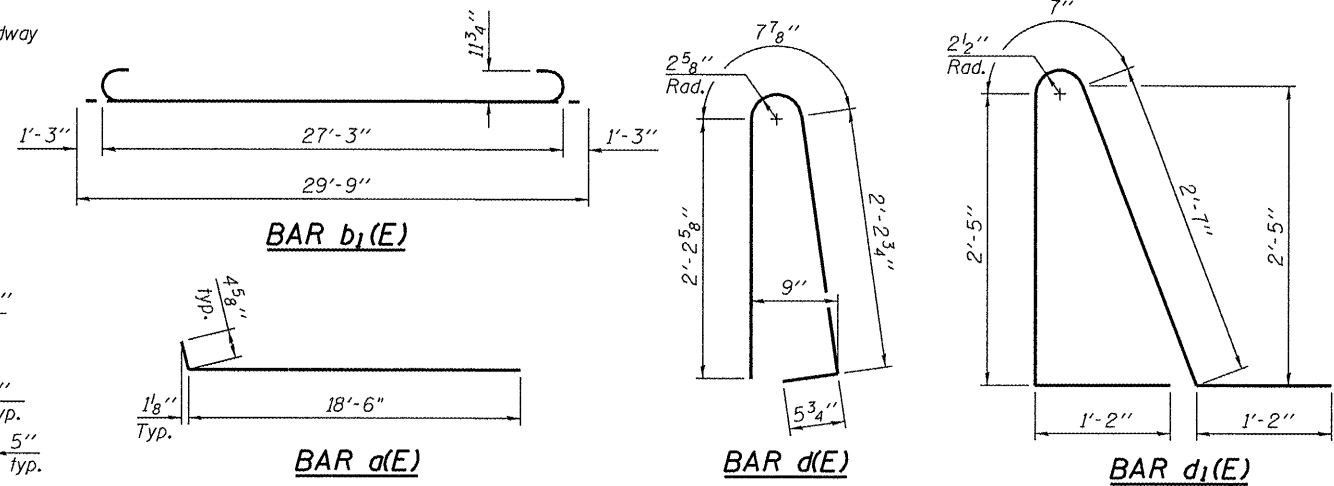
NEAR ABUTMENT

SECTION D-D

(See Plan for dimensions not shown)



AT APPROACH FOOTING



BAR b1(E)

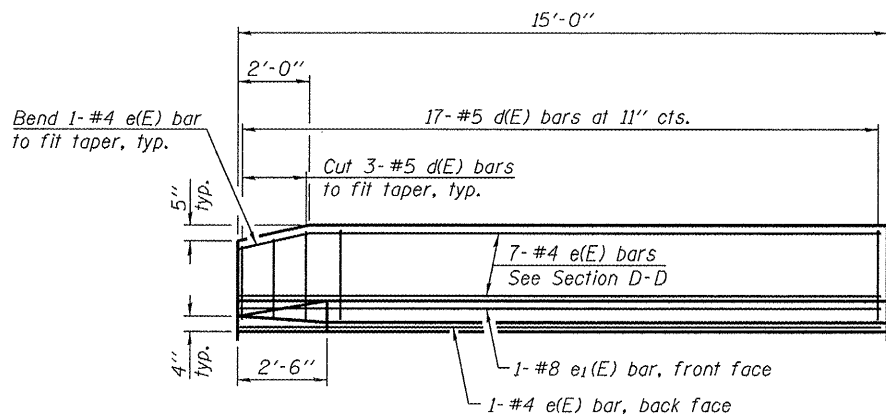
BAR a(E)

BAR d(E)

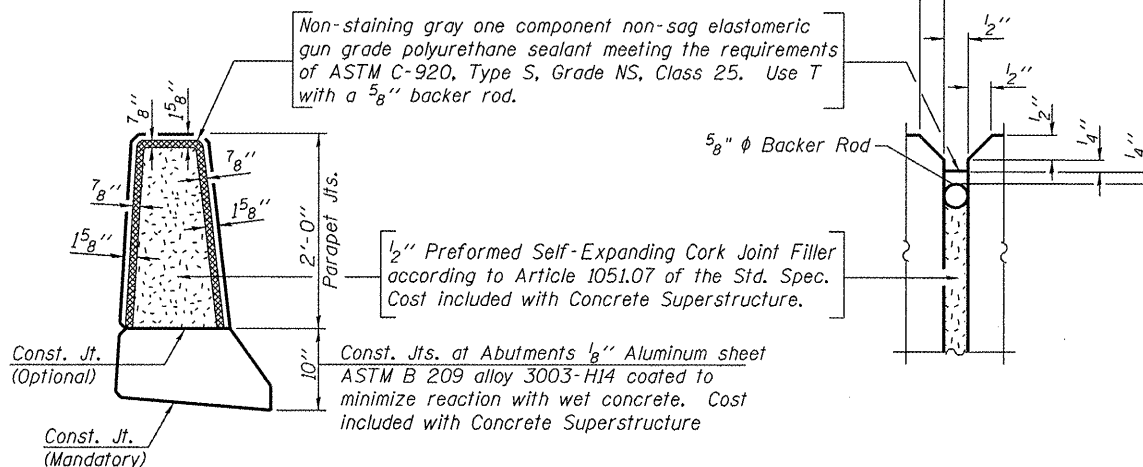
BAR d1(E)

TWO APPROACHES
BILL OF MATERIAL

Bar	No.	Size	Length	Shape
a(E)	100	#4	18'-11"	—
a1(E)	184	#5	18'-8"	—
a2(E)	48	#6	6'-0"	—
b(E)	76	#4	29'-8"	—
b1(E)	180	#9	29'-9"	—
b2(E)	4	#4	14'-8"	—
b3(E)	4	#4	14'-4"	—
d(E)	68	#5	5'-7"	—
d1(E)	68	#5	7'-11"	—
e(E)	32	#4	14'-8"	—
e1(E)	4	#8	14'-8"	—
t(E)	156	#4	9'-8"	—
w(E)	160	#5	18'-8"	—
Concrete Superstructure			Cu. Yd.	117.3
Concrete Structures			Cu. Yd.	23.4
Reinforcement Bars, Epoxy Coated			Pound	30630



VIEW E-E



PARAPET JOINT DETAILS

BRIDGE APPROACH SLAB DETAILS (2 OF 2)
STRUCTURE NO. 102-0068

DESIGNED CTW
CHECKED CDL
DRAWN DP
CHECKED CTW/CDL

BA-0 10-31-08

SHEET NO. 13 26 SHEETS	EFK Moen, LLC Civil Engineering Design		331 Salem Place Suite 225 Fairview Heights, IL 62208		Phone 618-206-4250 Fax 618-206-4253	
	F.A.S. RTE. 2370	SECTION 29BR-1	COUNTY WOODFORD	TOTAL SHEETS 76	SHEET NO. 35	
FED. ROAD DIST. NO.			ILLINOIS		FED. AID PROJECT	
CONTRACT NO. 68466						