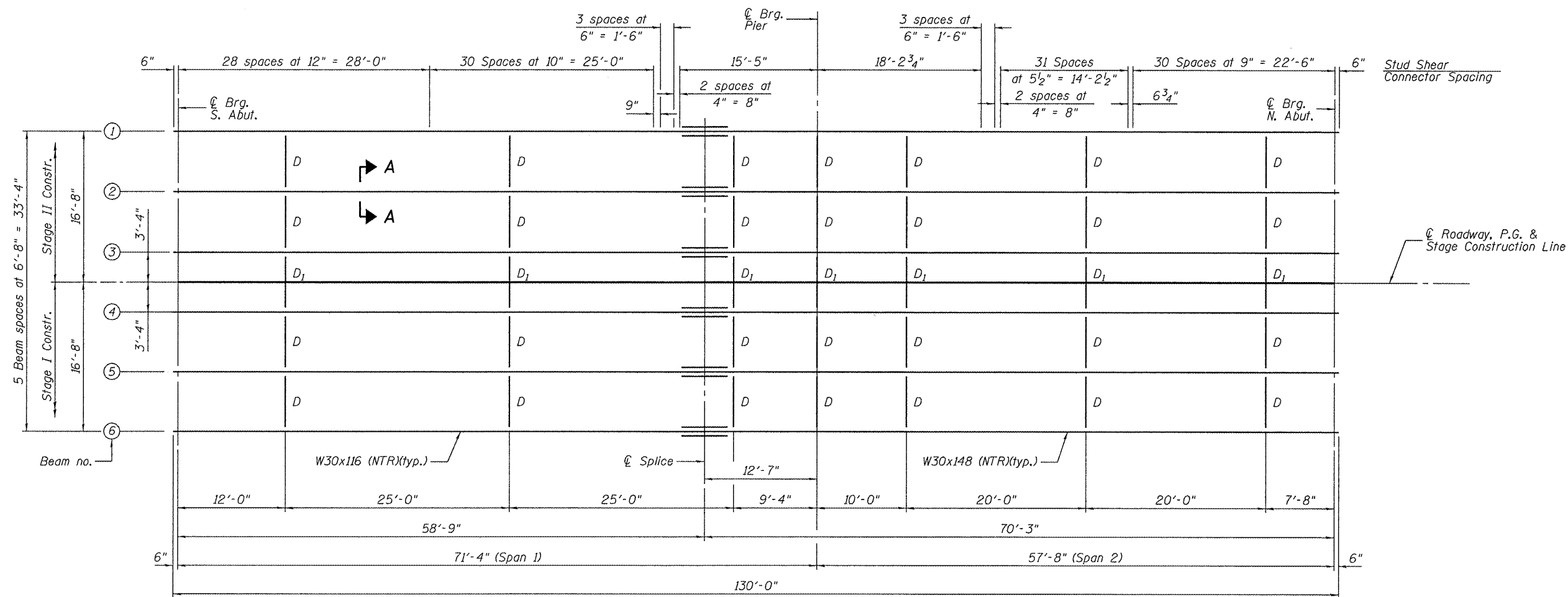
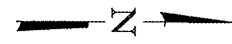
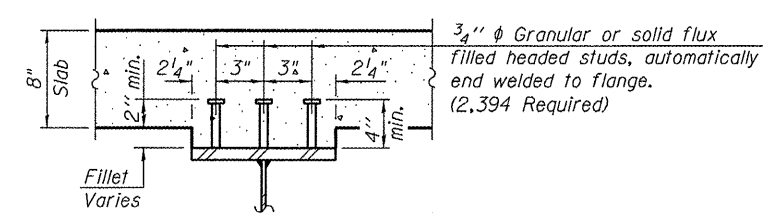


STATE OF ILLINOIS
DEPARTMENT OF TRANSPORTATION

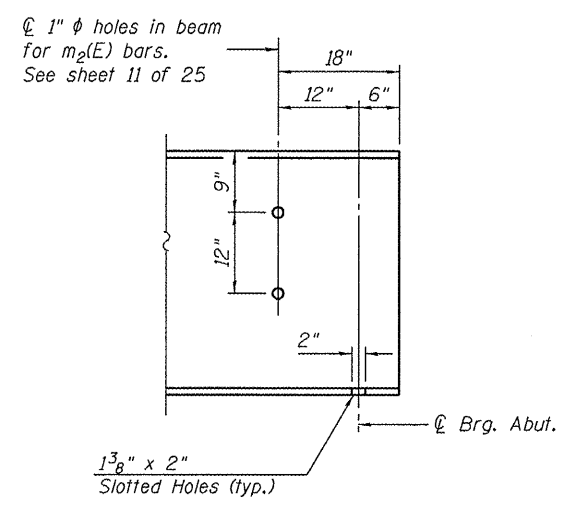


FRAMING PLAN

(All structural steel shall be AASHTO M270 Grade 50W, unless noted otherwise)



SECTION A-A



END OF BEAM ELEVATION

Notes:
All cross frames or diaphragms shall be installed as steel is erected and secured with erection pins and bolts except as otherwise noted. Individual cross frames or diaphragms at supports may be temporarily disconnected to install bearing anchor rods.
Load carrying components designated with "NTR" shall conform to the Supplemental Requirements for Notch Toughness, Zone 2.

DESIGNED	CTW
CHECKED	PMM
DRAWN	DP
CHECKED	CDL

STRUCTURAL STEEL
STRUCTURE NO. 102-0068

SHEET NO. 14		26 SHEETS		EFK Moen, LLC Civil Engineering Design		331 Salem Place Suite 225 Fairview Heights, IL 62208		Phone 618-206-4250 Fax 618-206-4253	
				F.A.S. RTE.	SECTION	COUNTY	TOTAL SHEETS	SHEET NO.	
		2370	29BR-1	WOODFORD	76	36	CONTRACT NO. 68466		
		FED. ROAD DIST. NO.		ILLINOIS	FED. AID PROJECT				