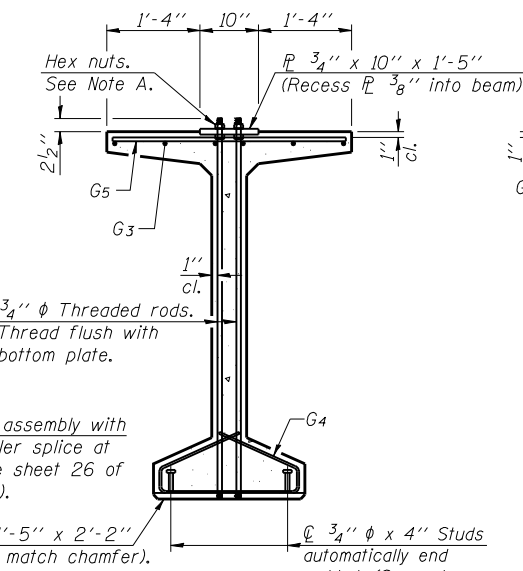


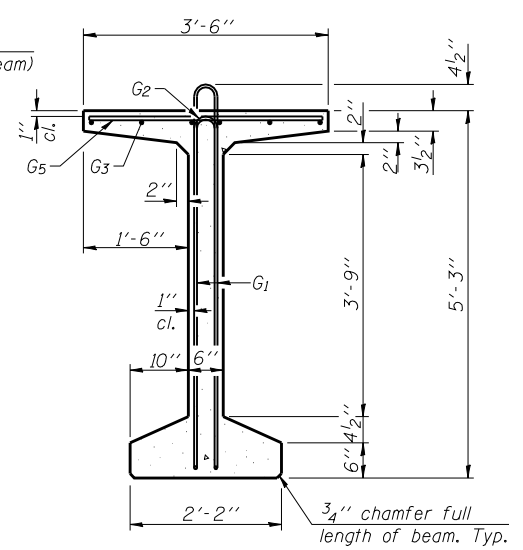
ELEVATION OF BEAM
(Showing reinforcement & dimensions)

* 4 spaces at 3'¹/₄" = 1'-1".
** 5-3'³/₄" ϕ threaded dowel rods at 3'¹/₄" cts., each face.

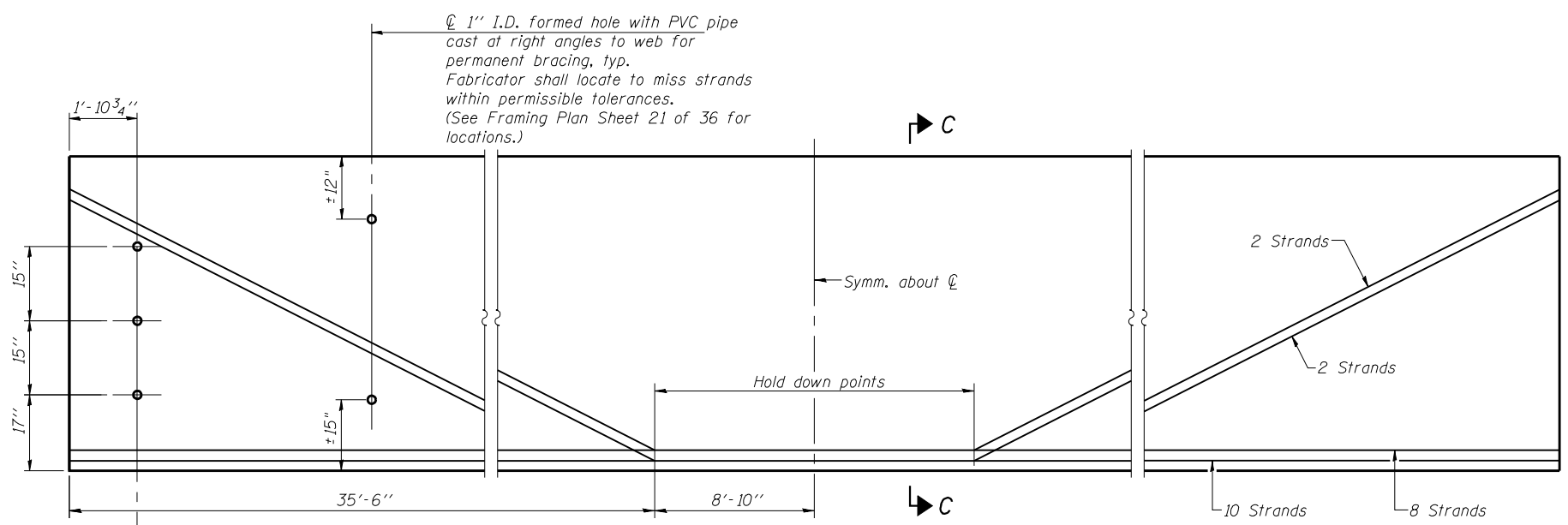
Note A:
Hex nuts (top and bottom) with lock washers (top). Only tighten sufficiently to compress lock washers.



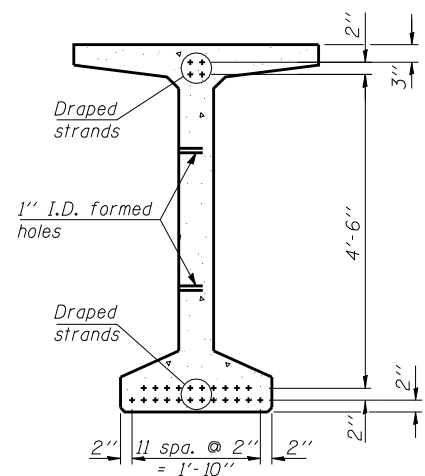
SECTION A-A



SECTION B-B



ELEVATION OF BEAM
(Showing prestressing steel)



SECTION C-C

*****BAR LIST
ONE BEAM ONLY**

Bar	No.	Size	Length	Shape
G ₁	149	#4	11'-11"	∩
G ₂	16	#4	10'-2"	∩
G ₃	18	#6	31'-4"	—
G ₄	56	#3	4'-11"	∩
G ₅	118	#5	3'-4"	—
G ₆	3	#8	6'-6"	∩

***For information only

Notes:
See sheet 26 of 36 for additional details and Bill of Material.
Required release strength, f'_{ci} , shall be 6,000 psi.

**63" PPC BULB T-BEAM SPAN 4
STRUCTURE NO. 010-0287**

PLOT DATE = 9/24/2009
FILE NAME = c:\p\rs\p\106\p\106\1-25-span-4.dgn
FILE SIZE = 1,058,194
USER NAME = JML

PBT-4-63

10-1-08

CB Coombe-Bloxdorf P.C.
- CIVIL ENGINEERS -
- STRUCTURAL ENGINEERS -
- LAND SURVEYORS -
Design Firm License No. 184-002703

PROJECT NO.	06027-3
SCALE	
DATE	9/23/09
DESIGN BY	
DRAWN BY	TFG
CHECKED BY	MCB

SHEET NO. 25	F.A.P. RTE.	SECTION	COUNTY	TOTAL SHEETS	SHEET NO.
36 SHEETS	326	(137BR)BR	CHAMPAIGN	75	45
SN 010-0287			CONTRACT NO. 70428		
FED. ROAD DIST. NO. 7 ILLINOIS FED. AID PROJECT					