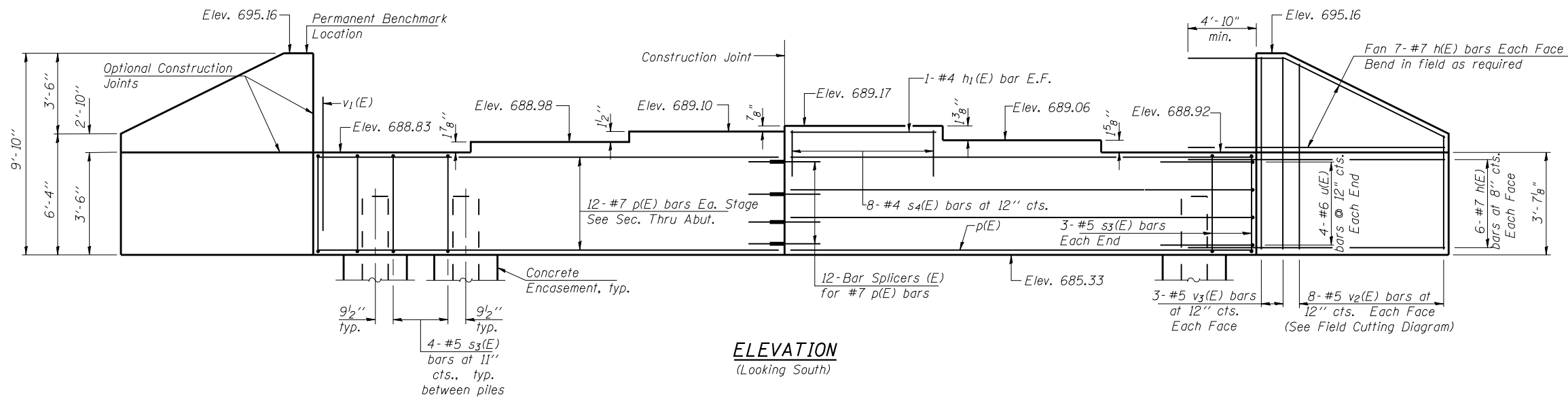
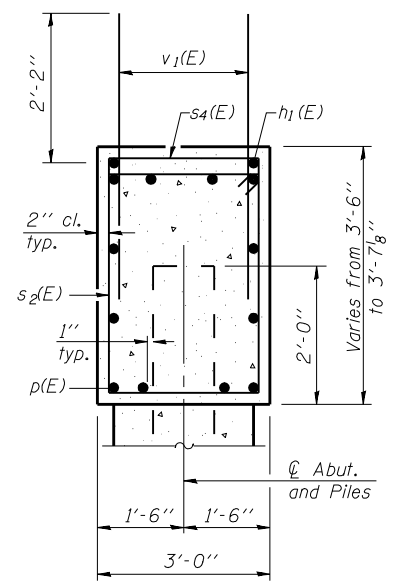


Notes:
Pour steps monolithically with cap.



ELEVATION
(Looking South)



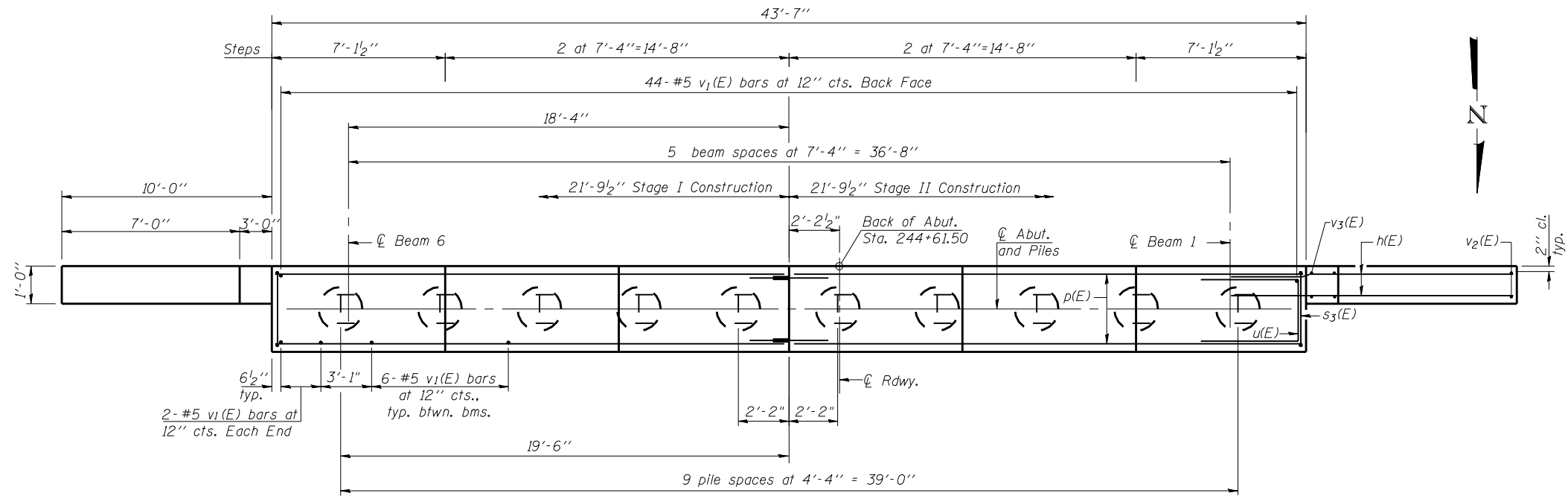
SEC. THRU ABUT.

BILL OF MATERIAL

Bar No.	Size	Length	Shape
h(E)	#7	14'-10"	—
h1(E)	#4	7'-0"	—
p(E)	#7	21'-5"	—
s3(E)	#5	12'-7"	□
s4(E)	#4	6'-0"	□
u(E)	#6	9'-7"	□
v1(E)	#5	4'-4"	—
v2(E)	#5	15'-6"	—
v3(E)	#5	9'-6"	—
Structure Excavation	Cu. Yd.	154	
Concrete Structures	Cu. Yd.	24.2	
Reinforcement Bars, Epoxy Coated	Pound	4070	
Furnishing Steel Piles, HP 14x73	Foot	423	
Driving Piles	Foot	423	
Test Pile, Steel HP 14x73	Each	1	
Concrete Encasement	Cu. Yd.	5.5	
Bar Splicers	Each	12	

For details of Bar Splicers, see sheet 33 of 36.
For details of piles and Concrete Encasement, see sheet 32 of 36.

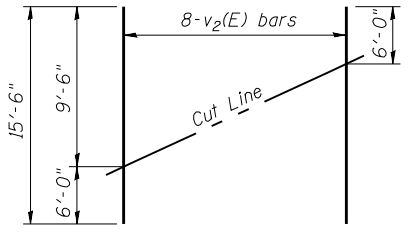
S. ABUTMENT
STRUCTURE NO. 010-0287



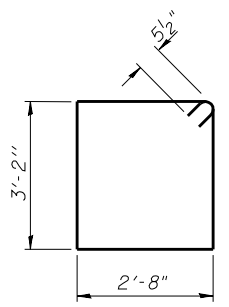
PLAN

PILE DATA

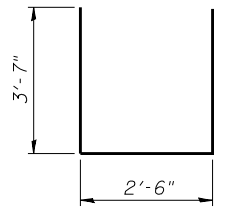
Type: Steel HP14x73
Nominal Required Bearing: 332 kip
Factored Resistance Available: 166 kip
Est. Length: 47 ft.
No. Production Piles: 9
No. Test Piles: 1



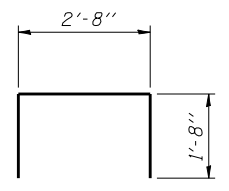
FIELD CUTTING DIAGRAM
Order v2(E) full length. Cut as shown and use remainder of bars in opposite face.



BAR s3(E)



BAR u(E)



BAR s4(E)

CB Coombe-Bloxdorf P.C.
- CIVIL ENGINEERS -
- STRUCTURAL ENGINEERS -
- LAND SURVEYORS -
Design Firm License No. 184-002703

PROJECT NO. 06027-3
SCALE
DATE 9/24/09
DESIGN BY RM
DRAWN BY TFC
CHECKED BY MCB

F.A.P. RTE. 326	SECTION (137BR)BR	COUNTY CHAMPAIGN	TOTAL SHEETS 75	SHEET NO. 47
SHEET NO. 27		CONTRACT NO. 70428		
36 SHEETS		FED. ROAD DIST. NO. 7 ILLINOIS FED. AID PROJECT		

PLOT DATE = 9/24/2009
 FILE NAME = s:\p\06027-3\27-s-abut-.dgn
 FILE SIZE = 1058134 / IN.
 USER NAME = JML