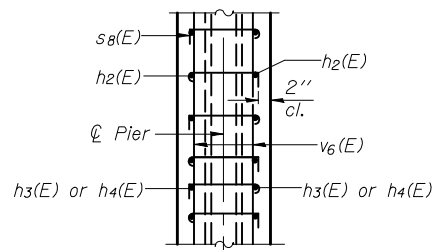
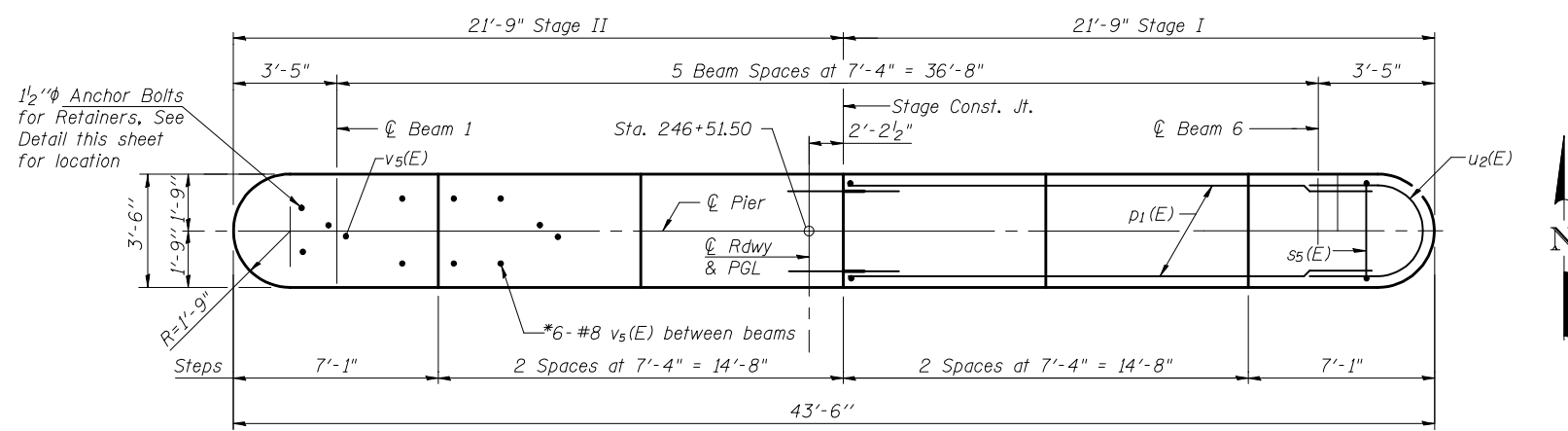


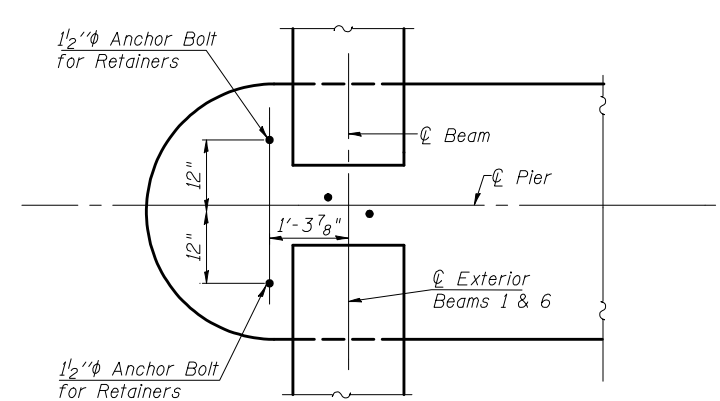
Notes:
 Space reinforcement in cap to miss anchor bolts.
 Pour steps monolithically with cap.
 For details of piles and encasement, see sheet 32 of 36.
 For details of Bar Splicers see sheet 33 of 36.



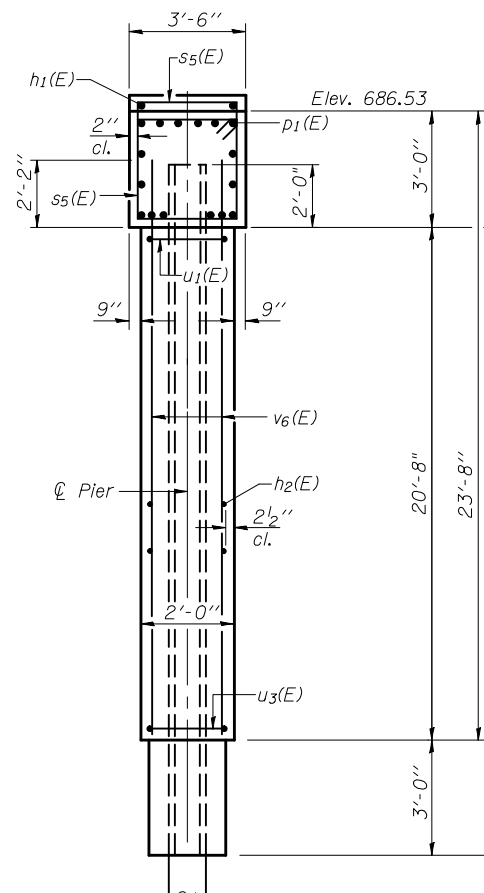
**SECTION THRU WALL
 SHOWING s8(E) BARS**



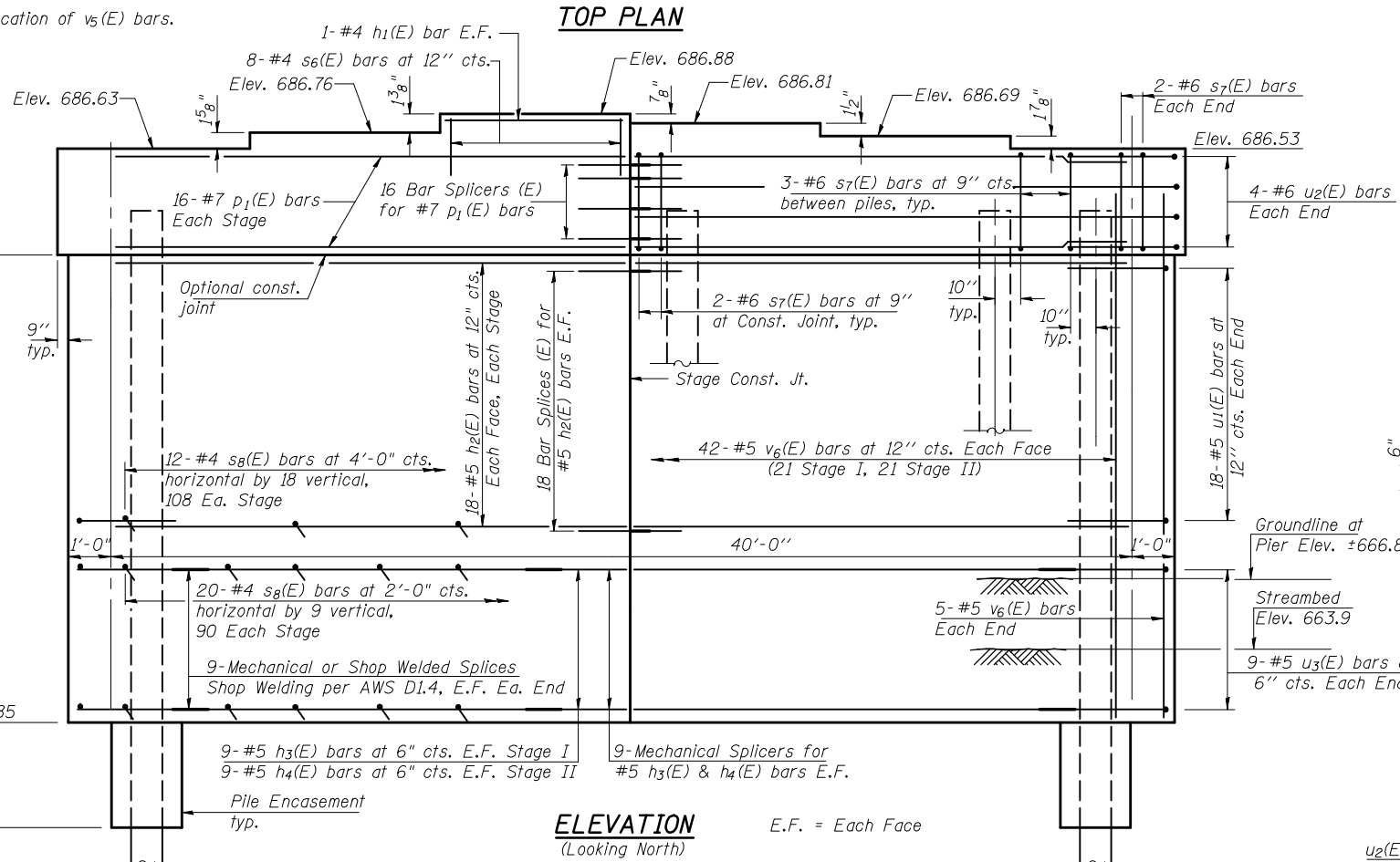
TOP PLAN



ANCHOR BOLT LOCATION DETAIL

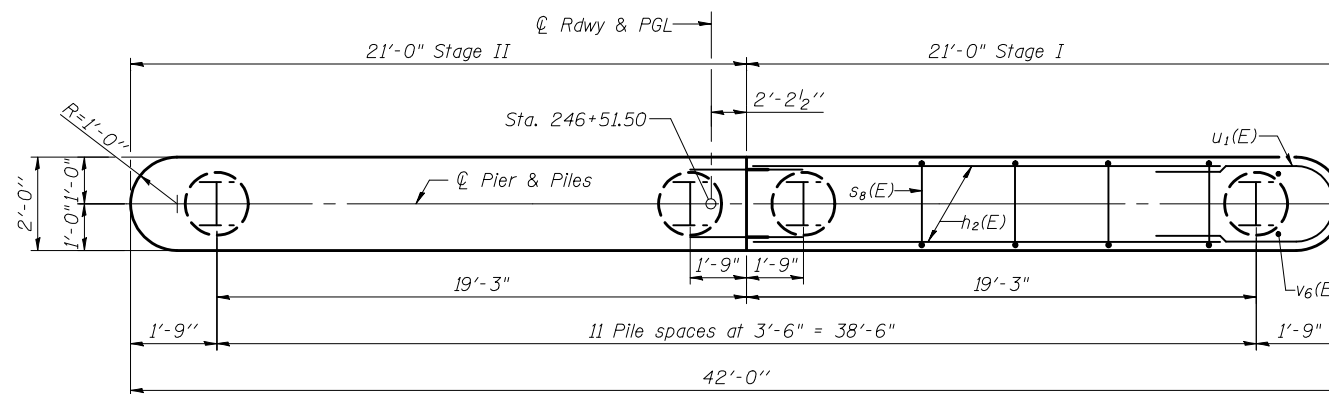


END VIEW

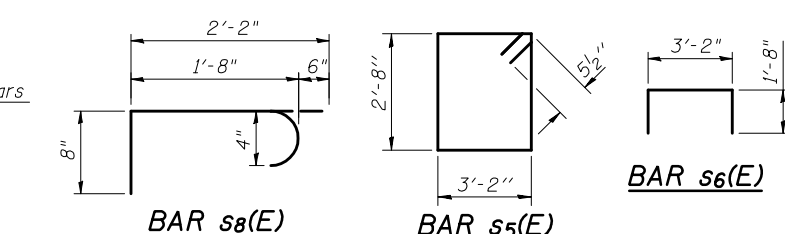


**ELEVATION
 (Looking North)**

E.F. = Each Face



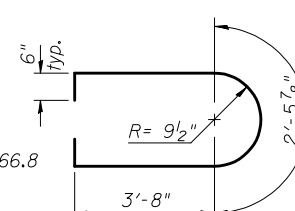
PLAN



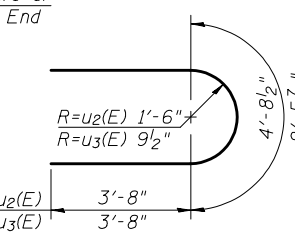
BAR s8(E)

BAR s5(E)

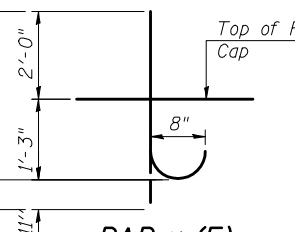
BAR s6(E)



BAR u1(E)



BARS u2(E) & u3(E)



BAR v5(E)

BILL OF MATERIAL

Bar	No.	Size	Length	Shape
h1(E)	2	#4	7'-0"	—
h2(E)	72	#5	19'-10"	—
h3(E)	18	#5	17'-10"	—
h4(E)	18	#5	14'-10"	—
p1(E)	32	#7	19'-10"	—
s5(E)	38	#5	12'-7"	□
s6(E)	8	#4	6'-6"	□
s8(E)	396	#4	2'-10"	□
u1(E)	36	#5	10'-10"	U
u2(E)	8	#6	12'-1"	U
u3(E)	18	#5	9'-10"	U
v5(E)	42	#8	4'-2"	U
v6(E)	94	#5	22'-0"	—
Structure Excavation		Cu. Yd.	41	
Concrete Structures		Cu. Yd.	81.3	
Reinforcement Bars, Epoxy Coated		Pound	8050	
Furnishing Steel Piles HP 14 x 73		Foot	847	
Driving Piles		Foot	847	
Test Pile Steel HP 14 x 73		Each	1	
Underwater Structure Excavation Protection, Location 2		Each	1	
Concrete Encasement		Cu. Yd.	6.5	
Bar Splicers		Each	52	
Mechanical Splice		Each	54	

PILE DATA

Type: Steel HP 14x73
 Nominal Required Bearing: 578 kip
 Factored Resistance Available: 285 kip
 Est. Length: 77 ft.
 No. Production Piles: 11
 No. Test Piles: 1

NOTE

If a portion of the pier wall or concrete encasement is under water, reinforcement may be placed underwater into forms. Concrete shall be tremied according to Article 503.08 of the Standard Specifications to an elevation of 1'-0" above the water line at the time of construction.

Coombe-Bloxdorf P.C.
 CIVIL ENGINEERS
 STRUCTURAL ENGINEERS
 LAND SURVEYORS
 Design Firm License No. 184-002708

PROJECT NO. 06027-3
 SCALE
 DATE 9/24/09
 DESIGN BY RM/MCB
 DRAWN BY TFG
 CHECKED BY MCB

SHEET NO. 30 36 SHEETS	F.A.P. RTE. 326	SECTION (137BR)BR	COUNTY CHAMPAIGN	TOTAL SHEETS 75	SHEET NO. 50
	SN 010-0287		CONTRACT NO. 70428		
FED. ROAD DIST. NO. 7 ILLINOIS FED. AID PROJECT					

PLOT DATE = 10/23/2009
 FILE NAME = c:\pwworking\cbloxd\proj\137br\137br-010-0287\137br-010-0287.dgn
 USER = TFG
 PLOTTER = HP DesignJet 2454