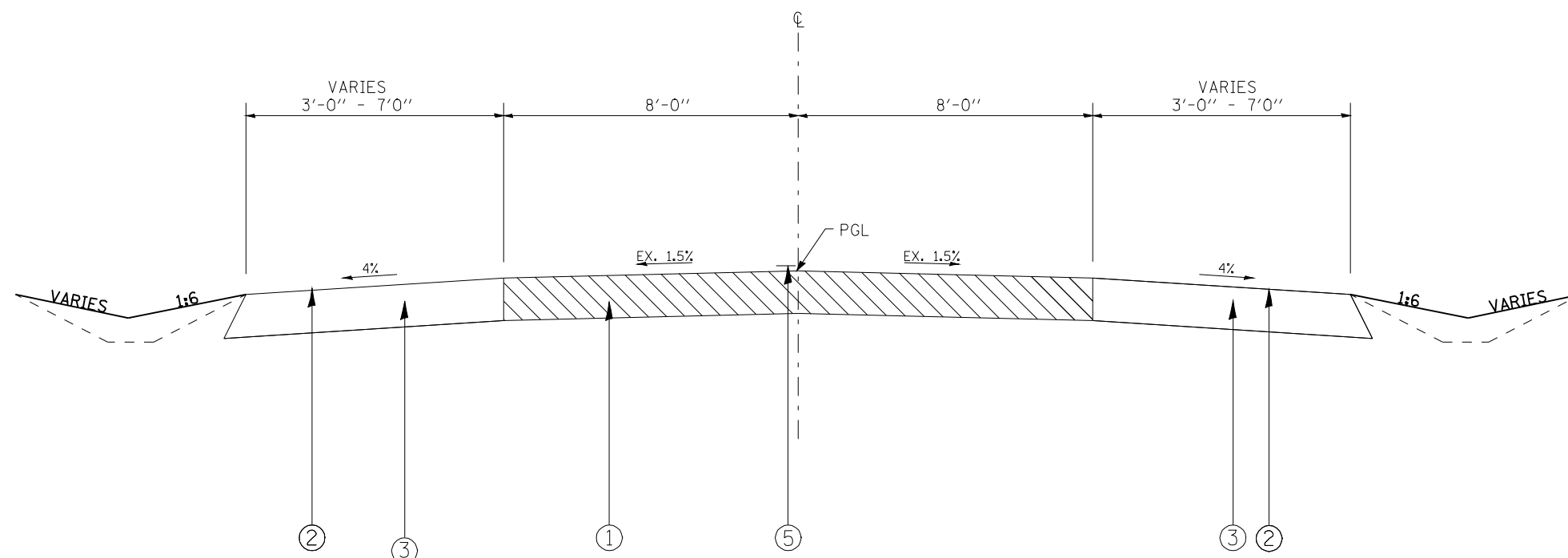


F.A.D. RTE.	SECTION	COUNTY	TOTAL SHEETS	SHEET NO.
SBI4	(L-150)B	MACOUPIN	21	7
STA. -		TO STA. -		
FED. ROAD DIST. NO. 6		ILLINOIS	FED. AID PROJECT	

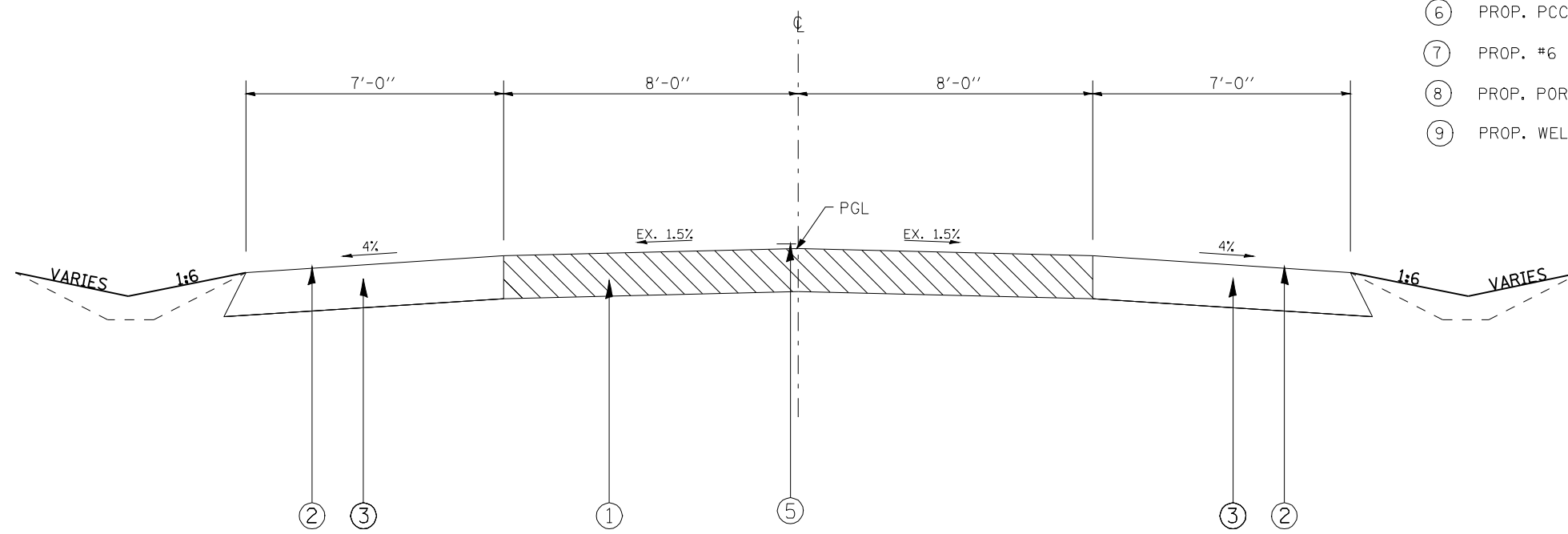


PROPOSED TYPICAL SECTION

STA. 1614+50 TO STA. 1615+00
 STA. 1618+31.33 TO STA. 1618+81.33

LEGEND

- ① EX. PCC PAVEMENT
- ② EX. EARTH SHOULDER
- ③ PROP. AGG SHOULDER-TYPE B-8"
- ④ PROP. STEEL PLATE BEAM GUARD RAIL, TYPE A
- ⑤ PROP. PAINT PAV'T MARKING LINE - 5"
- ⑥ PROP. PCC PAVEMENT - 8"
- ⑦ PROP. #6 TIE BARS AT 24" ON CENTER
- ⑧ PROP. POROUS GRANULAR CULVERT BACKFILL (CA6) - 12" MIN
- ⑨ PROP. WELDED WIRE FABRIC 6x6



PROPOSED TYPICAL SECTION

STA. 1615+00 TO STA. 1615+32
 STA. 1618+07 TO STA. 1618+31.33

REVISIONS	
NAME	DATE

ILLINOIS DEPARTMENT OF TRANSPORTATION

TYPICAL SECTIONS

SCALE: VERT. NONE
 HORIZ. NONE

DATE: DRAWN BY: MLH
 CHECKED BY: LDB