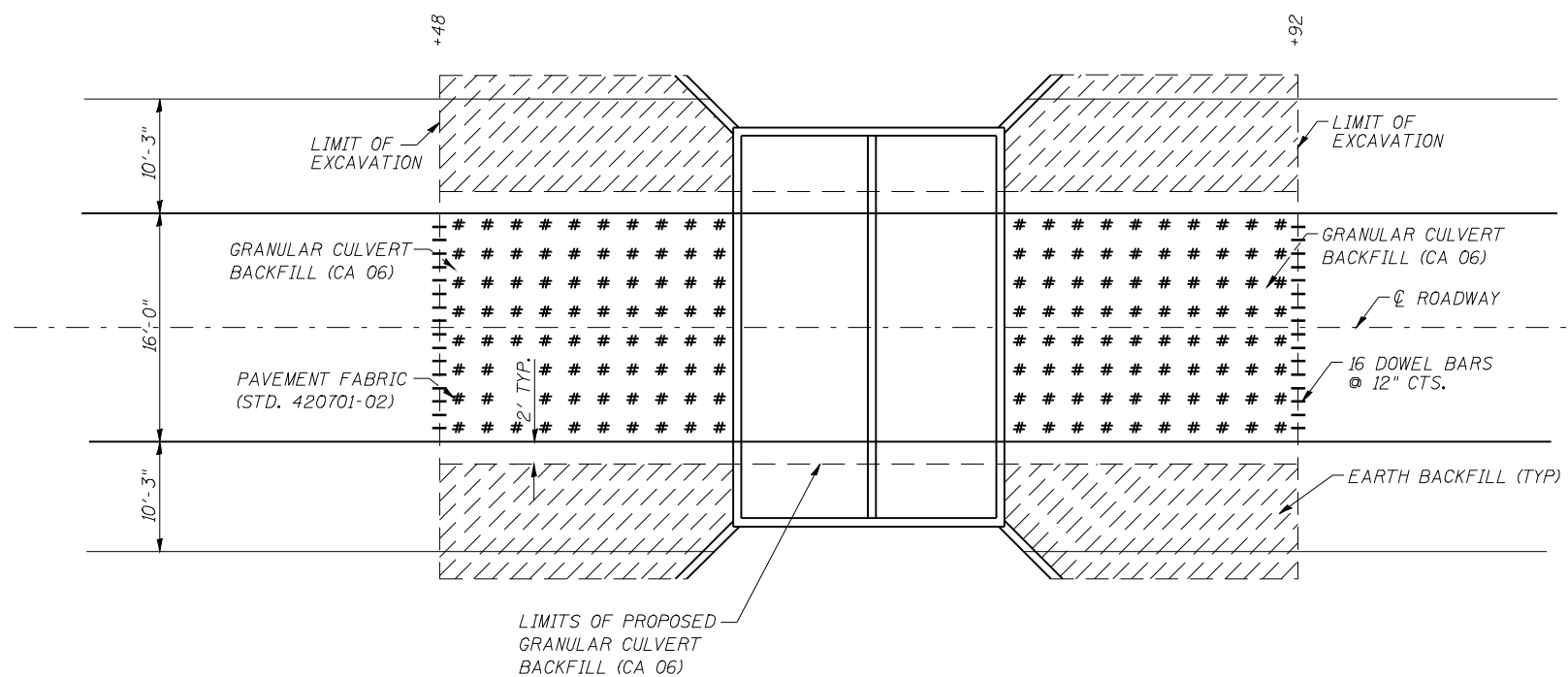
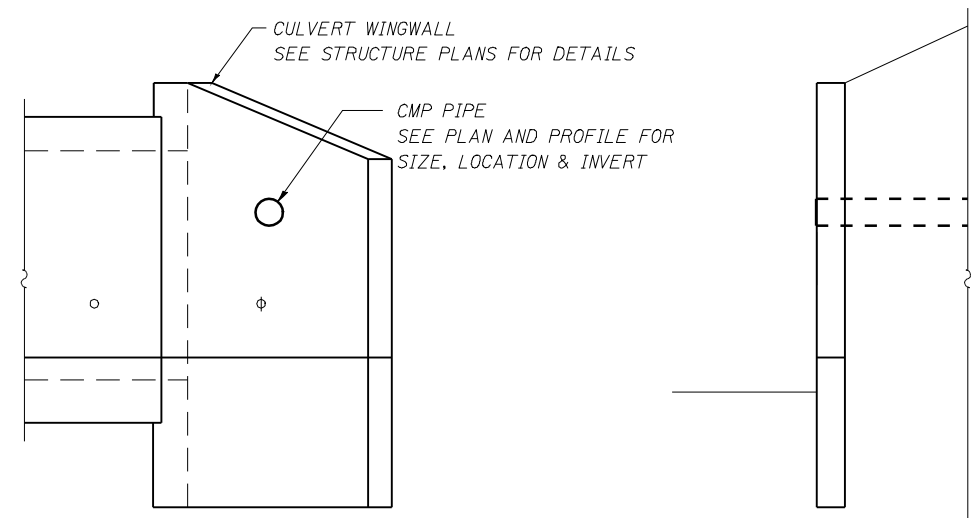


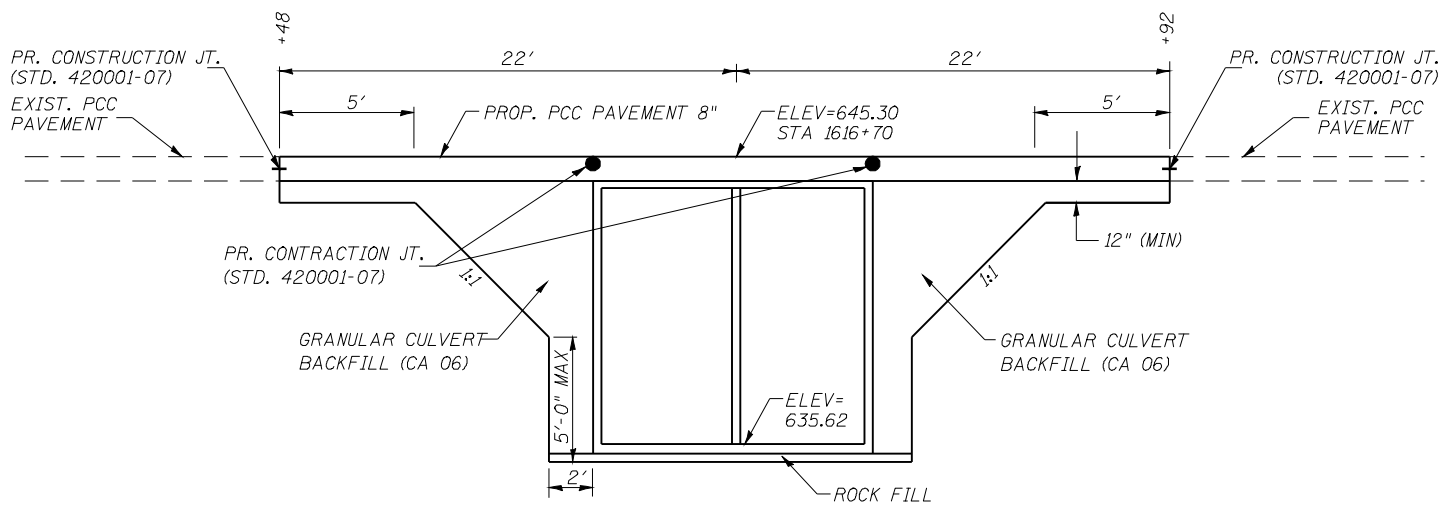
F.A.I. RTE.	SECTION	COUNTY	TOTAL SHEETS	SHEET NO.
SBI4	(L-15D)B	MACOUPIN	21	17
FED. ROAD DIST. NO. 6 ILLINOIS FED. AID PROJECT				



PLAN VIEW



CMP THROUGH WING WALL



ELEVATION

NOTE:
DOWEL BARS SHALL BE INCLUDED IN THE COST OF PCC PAVEMENT, 8"

**DETAIL SHEET
SBI ROUTE 4 (OLD IL 4)
SECTION (L-15D) B**

g:\PROJ\CIVIL\913302.80\IL 4\structure\final\detail