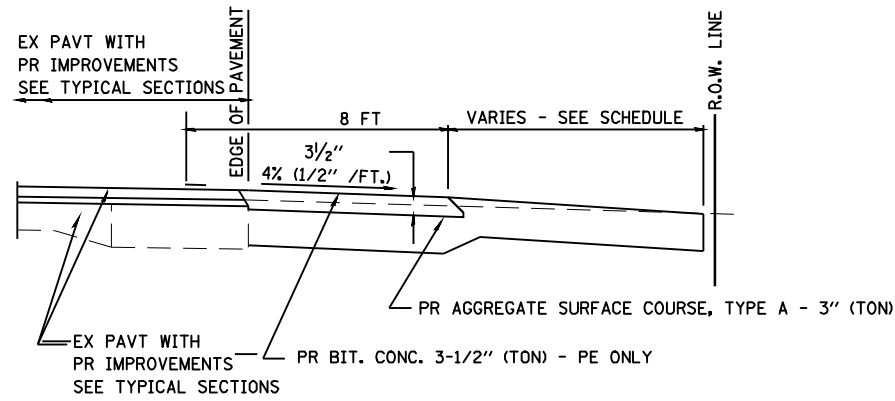
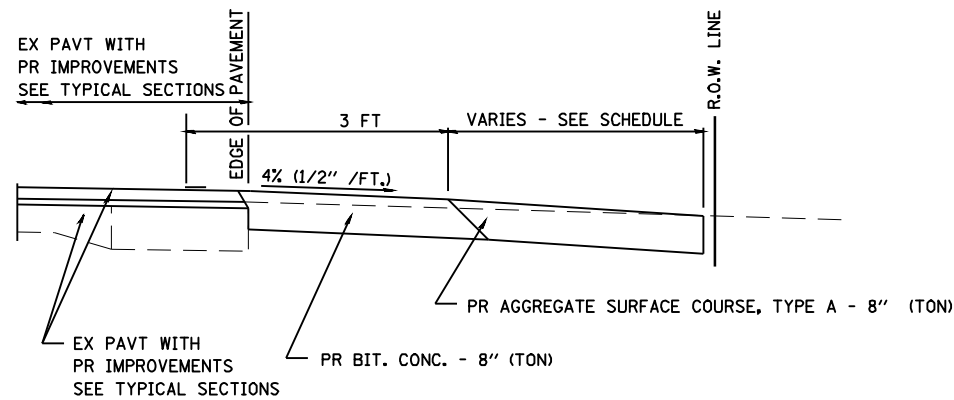


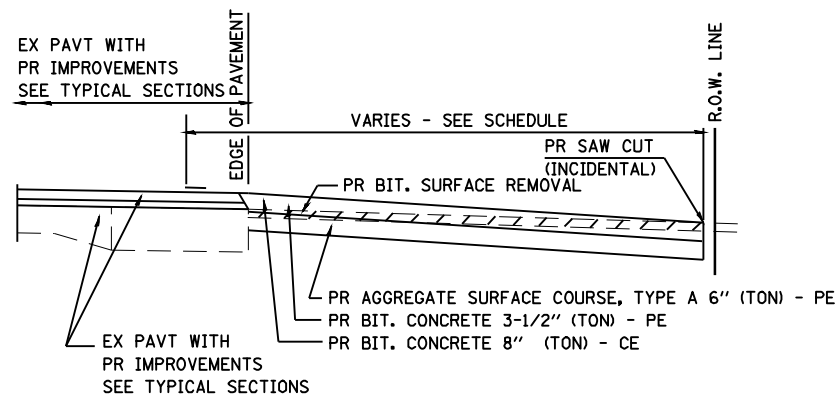
F.A.D. RTE.	SECTION	COUNTY	TOTAL SHEETS	SHEET NO.
SB14	(L-15D)B	MACOUPIN	21	18
STA.	TO STA.			
FED. ROAD DIST. NO. 6		ILLINOIS	FED. AID PROJECT	



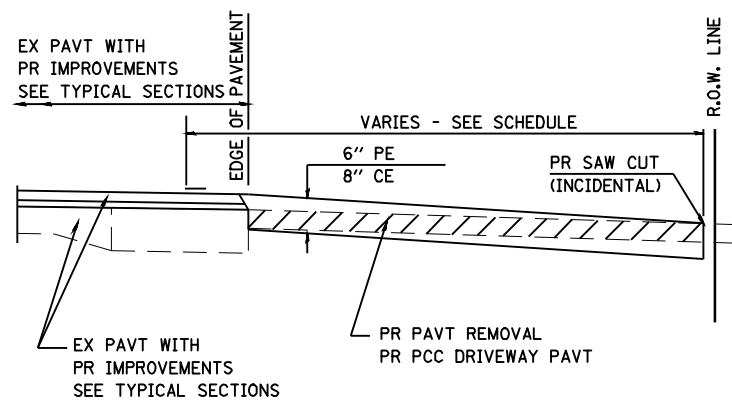
SECTION A-A FOR EX EARTH/AGGREGATE FE & PE



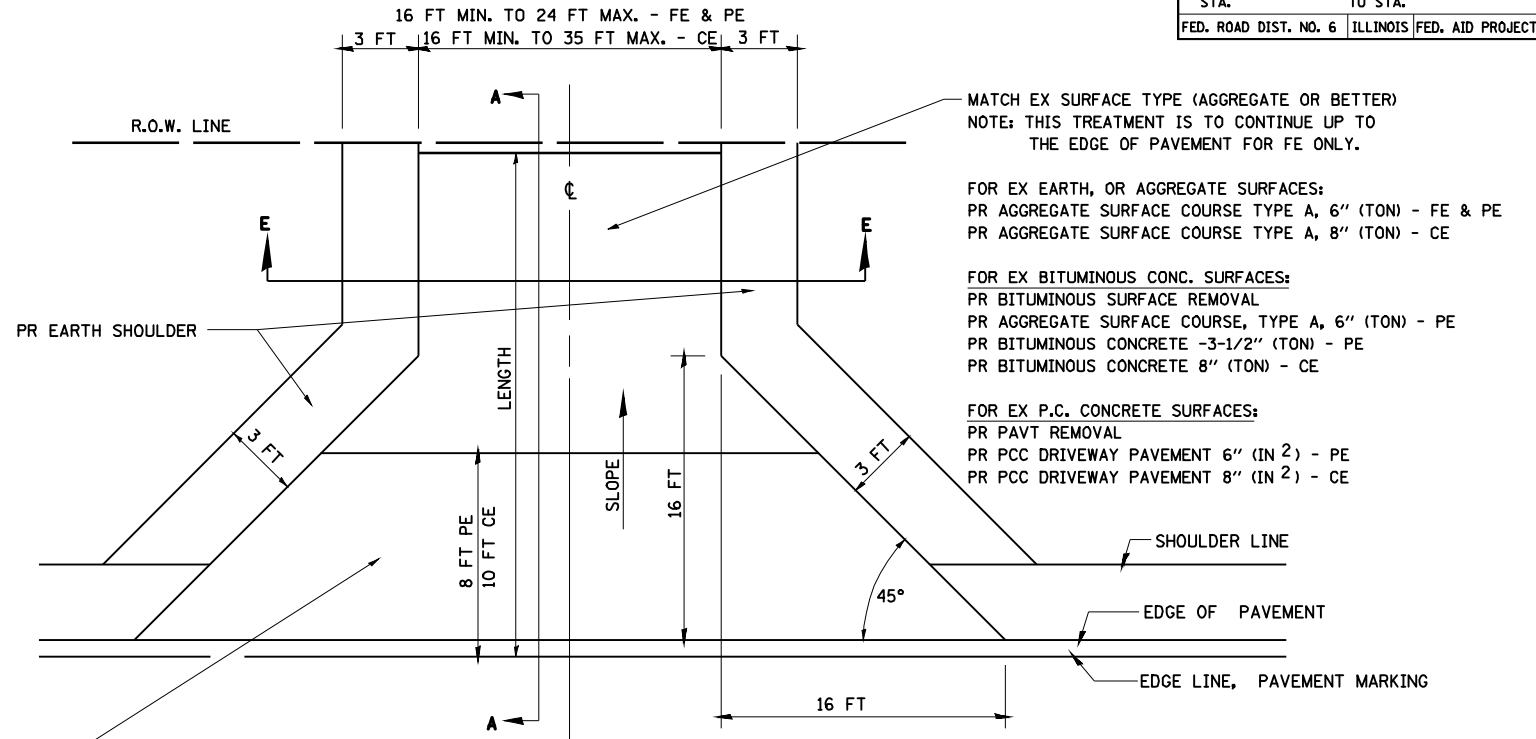
SECTION A-A FOR EX EARTH/AGGREGATE CE



SECTION A-A FOR EX BITUMINOUS PE & CE



SECTION A-A FOR EX P.C. CONC. PE & CE



FOR EX EARTH, AGGREGATE, OR BITUMINOUS CONC SURFACES:
 PR BIT SURFACE REMOVAL (IF APPLICABLE)
 PR AGGREGATE SURFACE COURSE TYPE A 8" (TON) - FE
 PR AGGREGATE SURFACE COURSE TYPE A, 8" (TON) &
 PR BITUMINOUS CONCRETE 3-1/2" (TON) - PE
 PR BITUMINOUS CONCRETE 8" (TON) - CE

FOR P.C. CONCRETE SURFACES:
 PR PAVT REMOVAL
 PR PCC DRIVEWAY PAVT 6" (SQ IN)- PE
 PR PCC DRIVEWAY PAVT 8" (SQ IN)- CE

GENERAL NOTES:

THE RESIDENT ENGINEER WILL DETERMINE THE EXACT TYPE OF IMPROVEMENT TO BE COMPLETED FOR ALL ENTRANCES, SIDEROADS AND MAILBOX TURNOUTS ON THIS PROJECT.

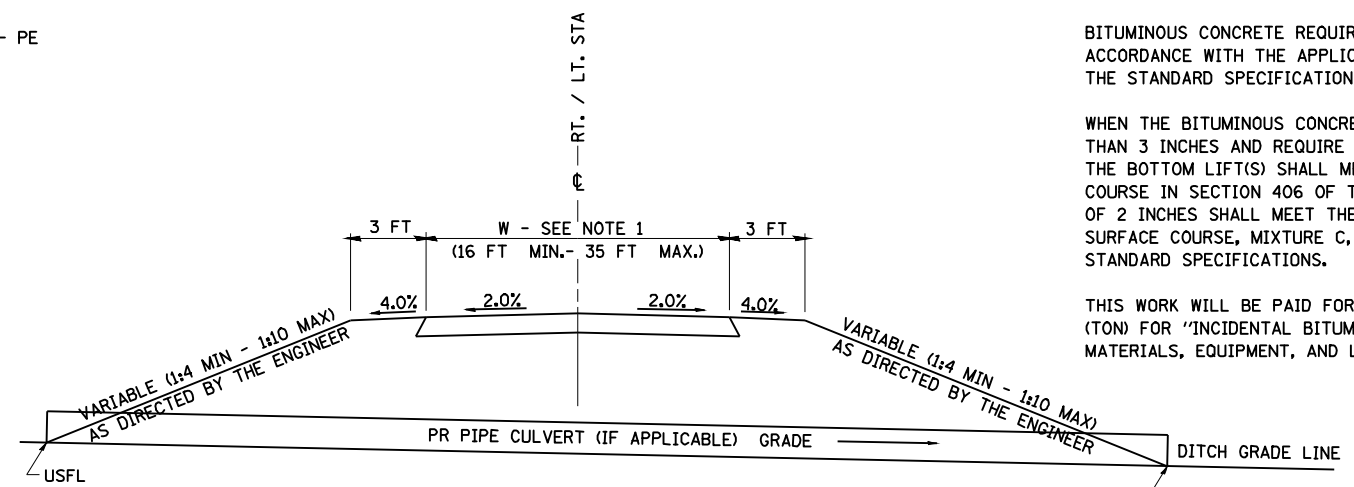
THE PLAN DETAILS AND SCHEDULES SHOULD BE USED AS A GUIDE FOR THE ENGINEER TO IMPLEMENT THE FINAL DESIGN. THE ENGINEER MAY DECIDE TO SALVAGE PORTIONS OF THE EXISTING ENTRANCE PAVEMENT STRUCTURE; THEREFORE, REDUCING PAY ITEM QUANTITIES. NO ADDITIONAL PAYMENT WILL BE ALLOWED FOR THIS REDUCTION IN QUANTITIES.

ANY WORK THE ENGINEER REQUIRES WHICH IS NOT COVERED BY A PAY ITEM CONTAINED IN THE PLANS WILL BE PAID FOR IN ACCORDANCE WITH ARTICLE 109.04 OF THE STANDARD SPECIFICATIONS.

BITUMINOUS CONCRETE REQUIRED TO CONSTRUCT THE ENTRANCES SHALL BE IN ACCORDANCE WITH THE APPLICABLE PORTIONS OF SECTION 406 AND 408 OF THE STANDARD SPECIFICATIONS AND AS DIRECTED BY THE ENGINEER.

WHEN THE BITUMINOUS CONCRETE PROPOSED FOR THE IMPROVEMENT IS THICKER THAN 3 INCHES AND REQUIRE PLACEMENT IN MORE THAN ONE LIFT. THE BOTTOM LIFT(S) SHALL MEET THE REQUIREMENTS OF BITUMINOUS BASE COURSE IN SECTION 406 OF THE STANDARD SPECIFICATIONS AND THE TOP LIFT OF 2 INCHES SHALL MEET THE REQUIREMENTS OF BITUMINOUS CONCRETE SURFACE COURSE, MIXTURE C, CLASS I, TYPE 2 OF SECTION 406 OF THE STANDARD SPECIFICATIONS.

THIS WORK WILL BE PAID FOR AT THE CONTRACT UNIT PRICE PER METRIC TON (TON) FOR "INCIDENTAL BITUMINOUS SURFACING" WHICH SHALL INCLUDE ALL MATERIALS, EQUIPMENT, AND LABOR INVOLVED.



SECTION E - E ENTRANCE TYPICAL SECTION

NOTE 1: WIDTH OF ENTRANCE MAY BE INCREASED AT THE PIPE CULVERT DUE TO THE DITCHLINE BEING LOCATED IN THE ENTRANCE FLARE AREA.

ALL DIMENSIONS ARE IN INCHES UNLESS OTHERWISE SHOWN.

REVISIONS	
NAME	DATE

ILLINOIS DEPARTMENT OF TRANSPORTATION
**DETAILS FOR RURAL
 ENTRANCE & MAILBOX TURNOUT**

DRAWN BY PRL
 CHECKED BY LDB